

**The Power That Keeps You On The Road  
The Value That Keeps You Coming Back**

Experience counts. Since 1924, the year our first compressor was installed on a commercial vehicle, Bendix has been leading the way in air charging system experience and expertise.

Today, Bendix Commercial Vehicle Systems continues as the top supplier of compressors, air treatment components and complete air braking control systems throughout North

America. More fleets specify our hard-working products and systems than any other.

The secret to our success is simple... we offer you concentrated know-how unparalleled in the industry. As a member of the Knorr-Bremse group, we're part of the worldwide leader in air brake technology and practical application.

***Bendix Compressors.***

***Reliable***

***Long-Lasting***

***High-Performing***

***Energy-Saving***

***Genuine Bendix Quality***

**Best Overall Value On The Market.**

When it comes to product performance and support, Bendix compressors offer QS-9000 certified quality, Six Sigma-driven manufacturing, the most knowledgeable, ASE-certified technical sales and support teams available, and the longest average life you can buy.

We have a complete line of new and remanufactured compressors for heavy vehicle engines, as well as most industrial applications. Every unit is individually tested to our rigorous standards for guaranteed performance and then backed by a powerful warranty.

**Experience Counts. Count On Bendix.**

For generations, the Bendix name has meant quality, reliability and durability when it comes to your vehicle's air charging system. Let us go to work for you. Talk to your Bendix account manager, call us at 1-800-AIR-BRAKE (1-800-247-2725) or visit us on the web at [www.bendix.com](http://www.bendix.com).

**Focused Expertise For The Future.**

Commercial vehicles are becoming more sophisticated and compressed air requirements are increasing daily. That's why we're hard at work testing the next generation of air charging system components designed to enhance and improve vehicle performance. With highly sophisticated R&D activities and up-to-date expertise from around the globe, we continue to ensure each new design meets and exceeds your needs.



TO FIND OUT MORE, CALL YOUR BENDIX ACCOUNT MANAGER,  
CALL US DIRECT AT 1-800-AIR-BRAKE OR VISIT [WWW.BENDIX.COM](http://WWW.BENDIX.COM).

**Bendix® Compressors**

Engineered and built for better performance today and tomorrow.



*For generations, the Bendix name has meant quality, reliability and durability when it comes to your vehicle's air charging system.*



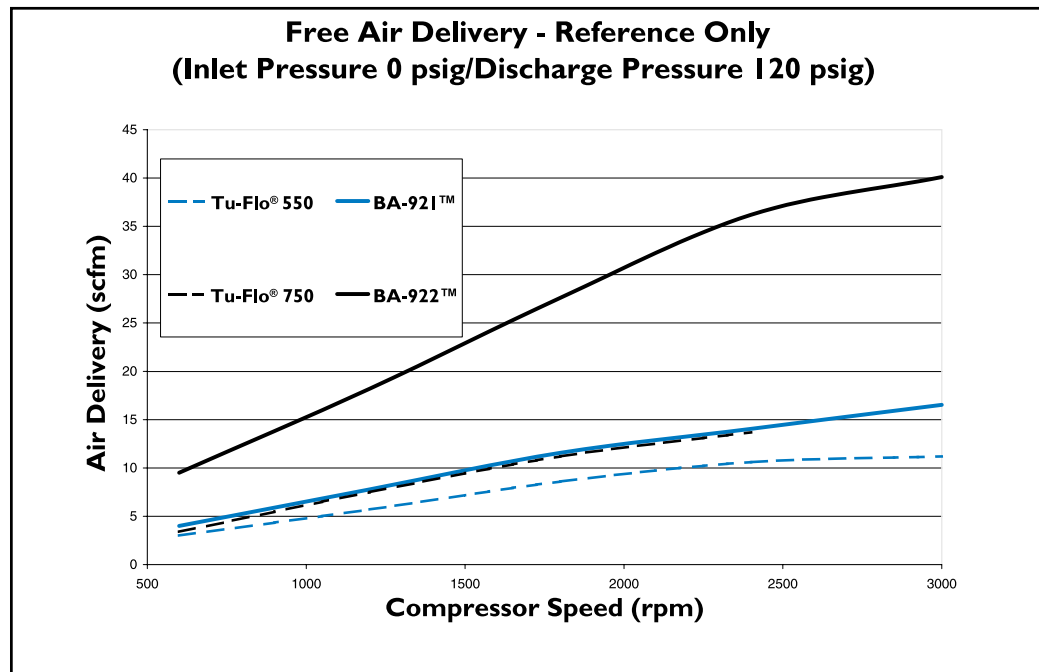
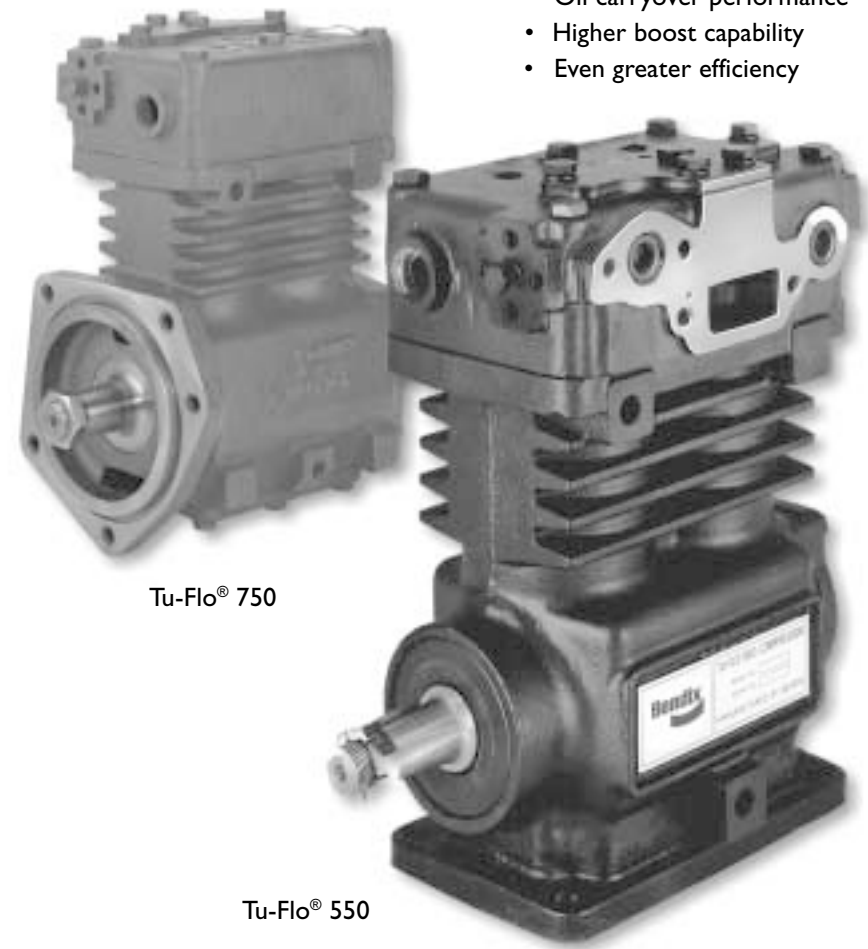
# COMPRESSORS

## The Bendix® Tu-Flo® Air Compressor Line – Setting The Industry Standard

### Tu-Flo® 550 Air Compressor and Tu-Flo® 750 Air Compressor

With over 3 million units installed as original equipment and over 3 trillion in service miles operating on the road today, the Bendix® Tu-Flo® 550 air compressor and Tu-Flo® 750 air compressor models remain the hard-working, time-tested industry standard for fleets and OEMs across North America. These commercial vehicle workhorse models are available for all major on-highway engines, including Detroit Diesel®, Caterpillar®, Mack® and International® to name just a few. But we don't stop there. As today's commercial vehicles evolve and the demands for compressed air increases, Bendix continues to enhance and improve the Tu-Flo® 550 air compressor and Tu-Flo® 750 air compressor line to meet and exceed customer needs with a focus on areas such as:

- Eliminating leaks
- Oil carryover performance
- Higher boost capability
- Even greater efficiency



## The Bendix® Air Power Series – a tradition continues...

### BA-922™ Compressor

When you need maximum air delivery, the BA-922™ “Big Twin” air compressor is for you. This high air output compressor is smaller than previous 4 cylinder models, but still supplies 32 cfm (at 1250 RPM) to meet the needs of even the most demanding specialty vocational applications. The BA-922™ compressor employs many of the same exceptional design elements as the BA-921™ compressor, its single cylinder partner, including the robust reed valve technology. The powerful BA-922™ compressor also incorporates:

- Standard North American unloader valving – eliminating the special valve requirements normally associated with 2 cylinder high output compressors
- A drive train saver crankshaft to prevent damage to the gear train or auxiliary components
- High thru-drive capacity – up to 125 foot pounds



### BA-921™ Compressor

Lighter weight and more compact to address OE fit constraints, this dynamic single cylinder compressor utilizes reed valve technology for improved operating efficiency. The BA-921™ compressor is available for a wide range of build platforms, including specialty vocational applications, and features:

- The highest boost capability on the market today – 43.5 psig
- High thru-drive capacity – up to 125 foot pounds
- Improved air quality along with faster recovery
- A drive train saver crankshaft to prevent damage to the gear train or auxiliary components

Application Comparisons				
Compressor Specifications	Tu-Flo® 550 Compressor	Tu-Flo® 750 Compressor	BA-921™ Compressor	BA-922™ Compressor
Typical Weight	53 lbs. (24 Kg.)	53 lbs. (24 Kg.)	37 lbs. (17 Kg.)	64 lbs. (29 Kg.)
Number of Cylinders	2	2	1	2
Displacement at 1250 RPM	13.2 CFM	16.5 CFM	15.8 CFM	31.6 CFM
Maximum Recommended RPM	3000 RPM	2400 RPM	3000 RPM	3000 RPM
Approximate Horsepower Required at 1250 RPM at 120 PSIG (naturally aspirated)	2.5 HP	3.2 HP	3.2 HP	6 HP
Maximum RPM Turbocharge Limit	2200 RPM	1900 RPM	3000 RPM	N/A Naturally Aspirated Only
Maximum Pressure (gauge) Turbocharge Limit*	30 PSIG	30 PSIG	43.5 PSIG	N/A Naturally Aspirated Only
Maximum Inlet Air Temperature Turbocharge Limit	250° F (121° C)	250° F (121° C)	250° F (121° C)	N/A Naturally Aspirated Only
Thru-drive Capacity*	100 ft. lbs.	100 ft. lbs.	125 ft. lbs.	125 ft. lbs.

\* indicates an application specific feature.