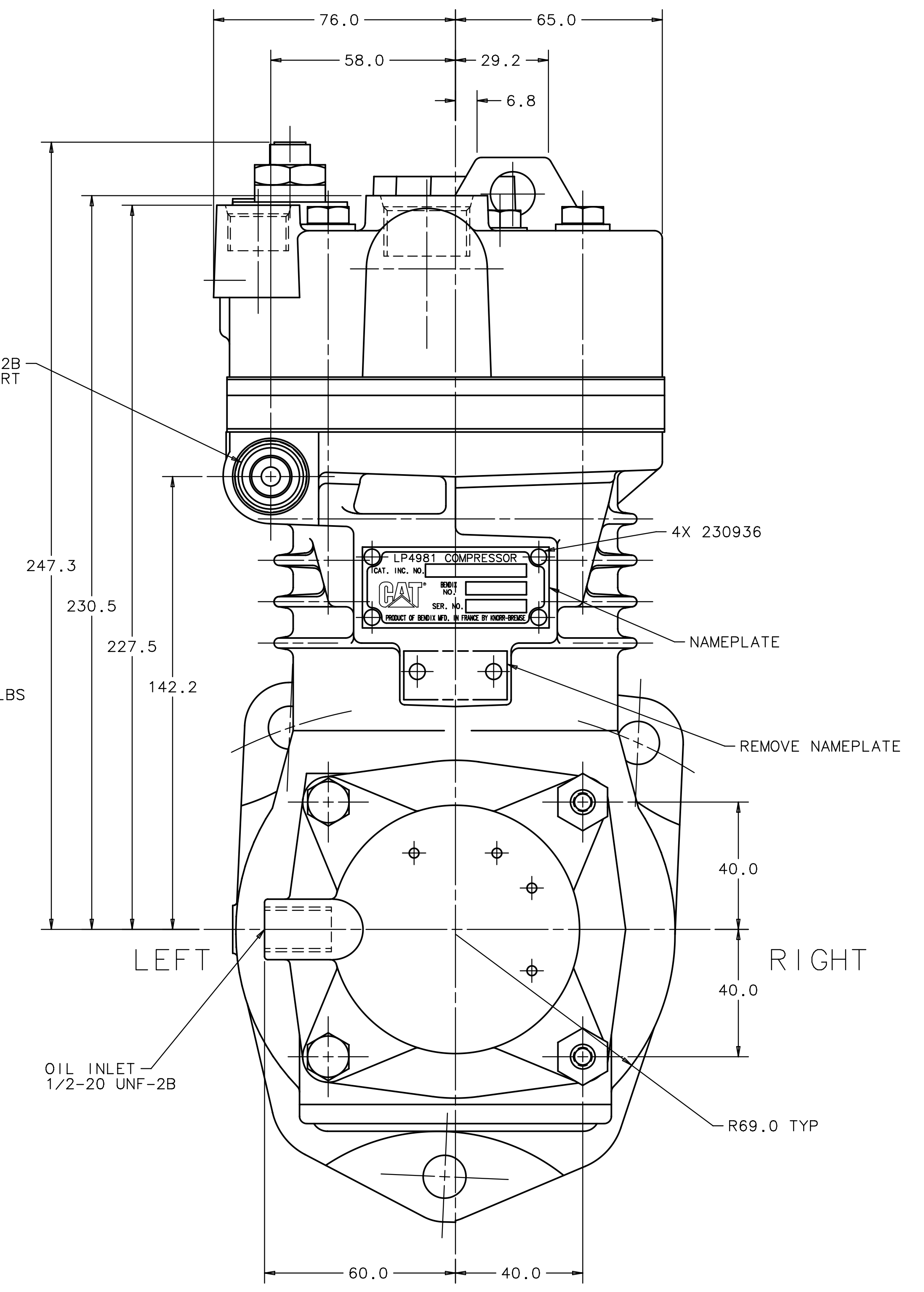
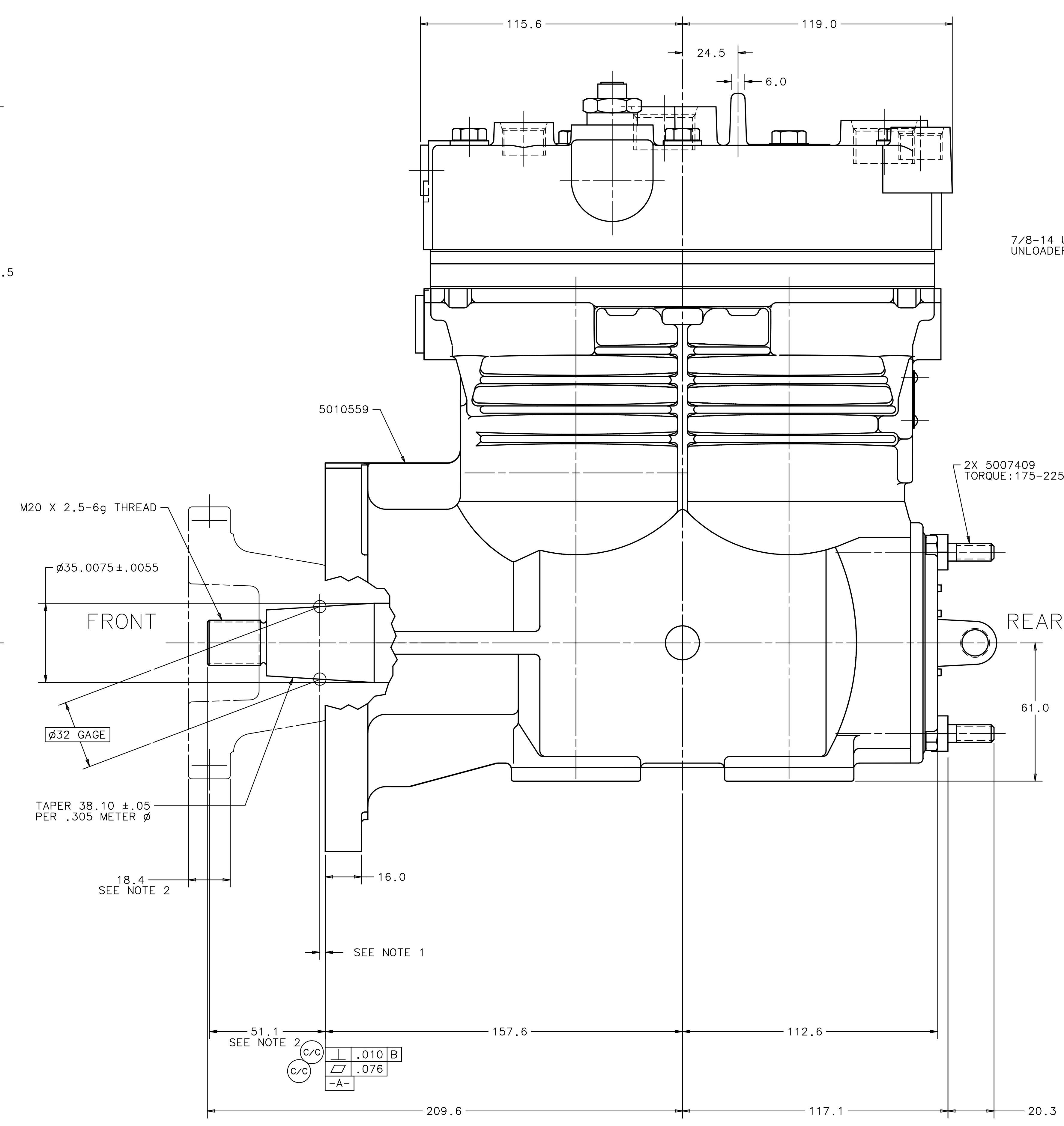
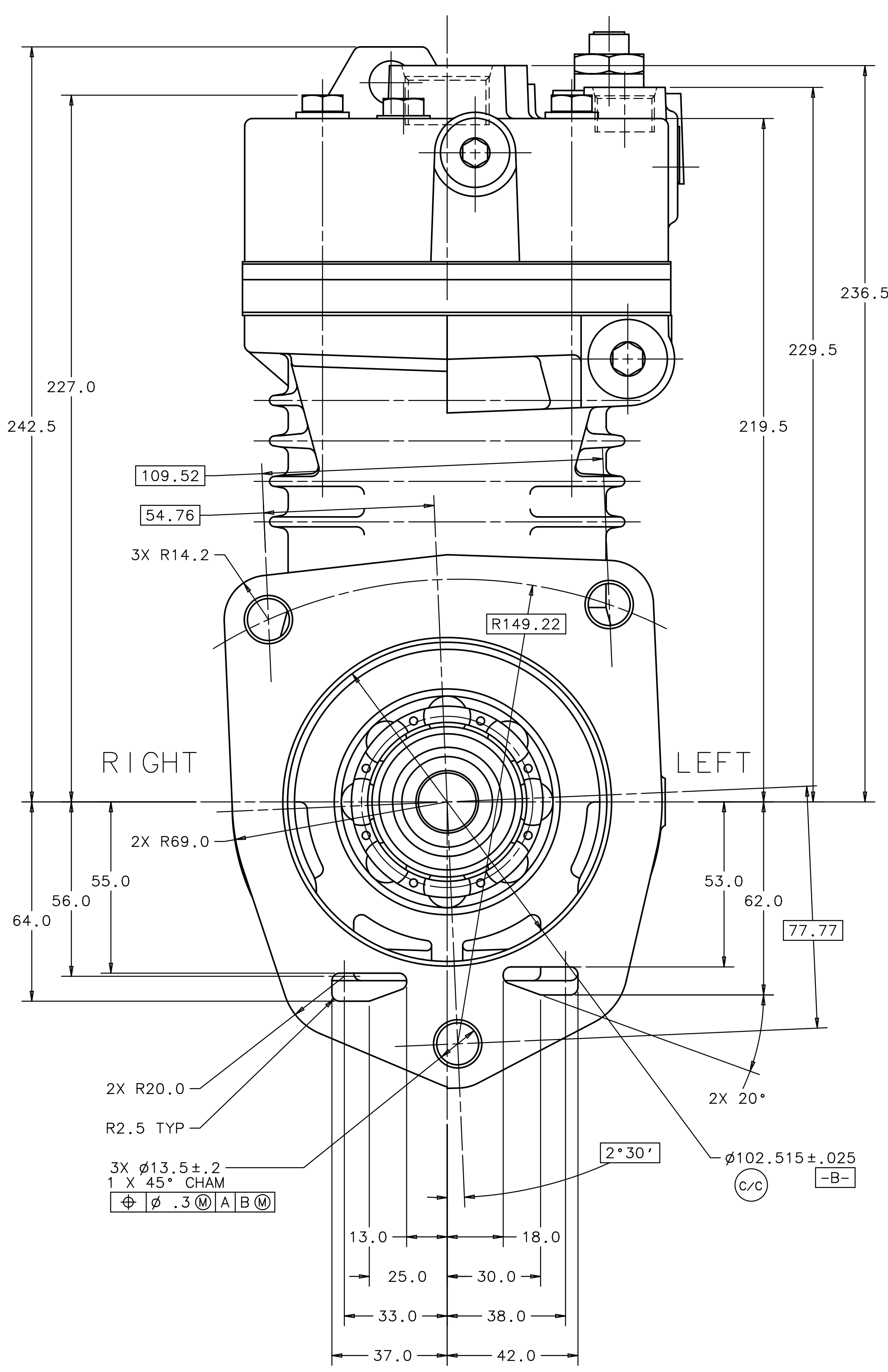
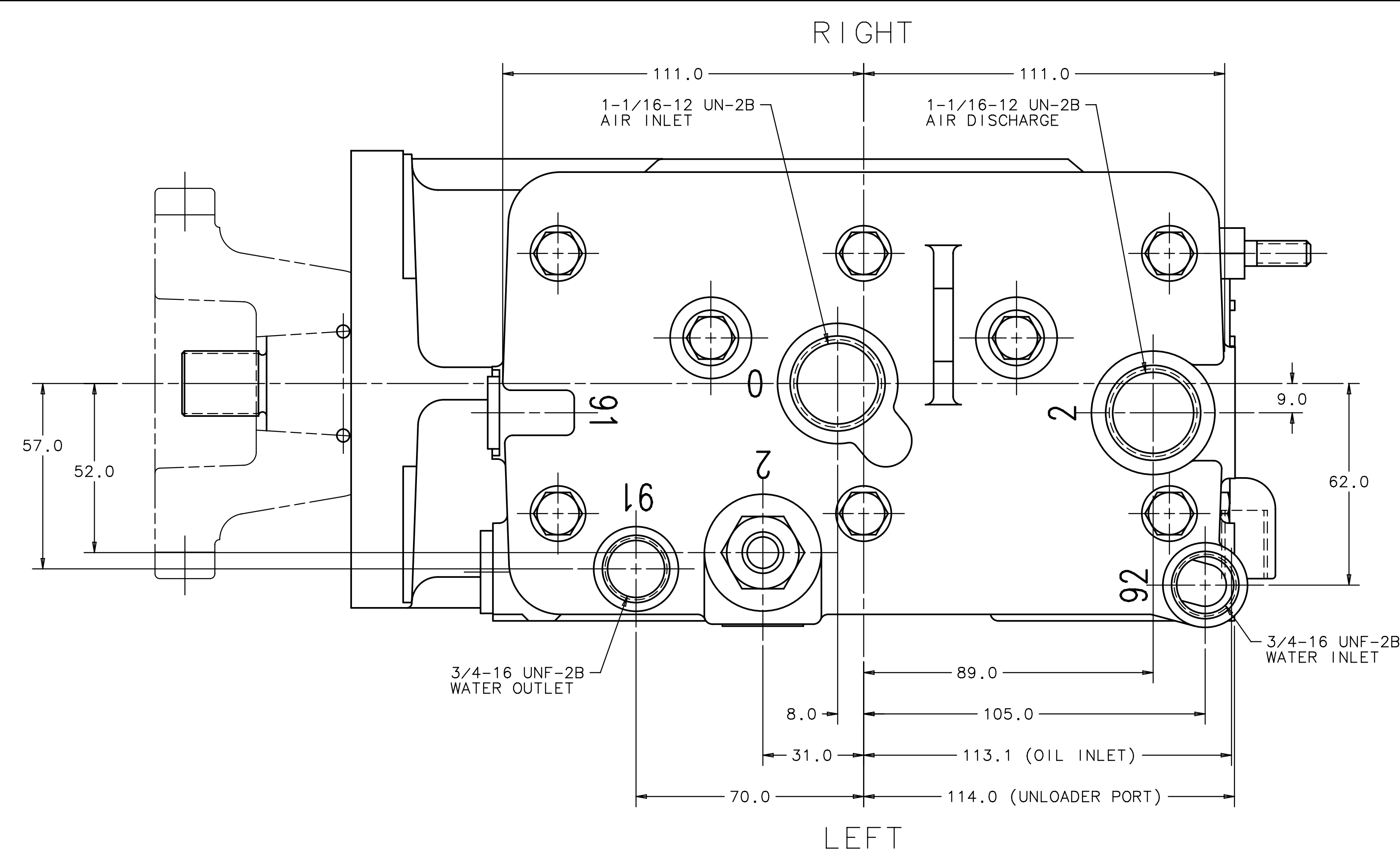


PIECE NO.	NAMEPLATE	COMMENTS
5004713	5004974	O.E.

REVISIONS					
ZONE	DESCRIPTION	DSGN/CHKR/ENGR	YYYY/MM/DD	ECON	REV
			2004/04/26		8



MAX. TORQUE FOR COMPRESSOR FITTING PORTS			
1/2-20	3/4-16	7/8-14	1 1/16-12
18.5 FT. LBS.	33.2 FT. LBS.	44.3 FT. LBS.	66.0 FT. LBS.

- NOTE:
1. MAXIMUM CRANKSHAFT GAGE CIRCLE TO FLANGE FACE DISTANCE 2.99, MINIMUM CRANKSHAFT GAGE CIRCLE TO FLANGE FACE DISTANCE 2.10.
  2. GEAR DIMENSIONS ARE APPROXIMATE. FINAL DESIGN OF GEAR DEPENDENT UPON THE CUSTOMER.

**C/C**

THIS DRAWING / SPECIFICATION USES CLASSIFIED CHARACTERISTIC SYMBOLS DEFINED IN GROUP QUALITY PROCEDURE, QR-0010

UNSPECIFIED TOLERANCES

2 PLACE  $\pm$

3 PLACE  $\pm$

ANGULAR  $\pm$

3RD ANGLE

REFER TO ANSI Y14.5M-1982 UNLESS OTHERWISE NOTED ALL DIMENSIONS ARE IN MM

This document contains proprietary information and such information may not be disclosed to others for any purpose or used for manufacturing without written permission from Bendix Commercial Vehicle Systems LLC.

**Bendix** Bendix Commercial Vehicle Systems LLC Elyria, Ohio 44035

TITLE **DURAFLO-596 AIR COMPRESSOR**

CATERPILLAR INC. C15/C12 ENGINES

SIZE	DRAWING NO.	REV.
E	5004713	8

SCALE FULL DO NOT SCALE SHEET OF