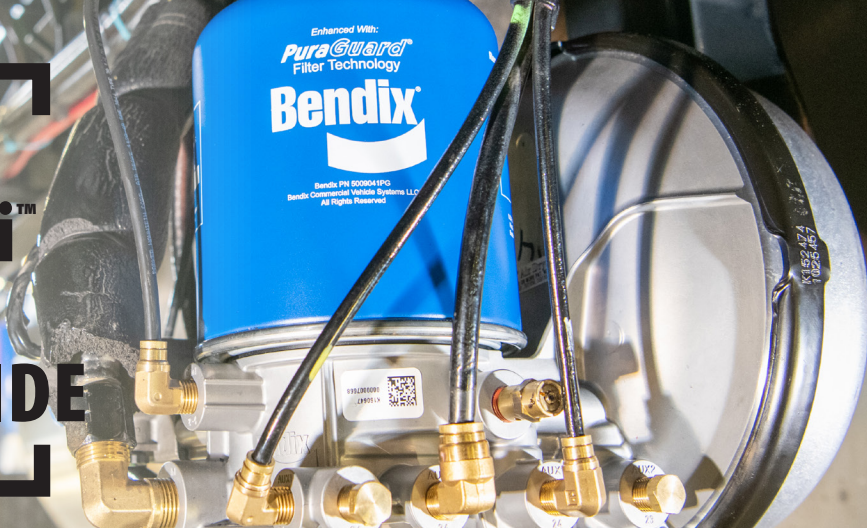


BENDIX® AD-HF® & AD-HFi™ AIR DRYER APPLICATION GUIDE



Designed with Fleets in Mind

Combining high-performance with long life, the Bendix® AD-HF® air dryer features a cast aluminum body that is rugged, durable, and provides significant protection from corrosion caused by harsh road treatments.

Our companion air dryer, the Bendix® AD-HFi™, offers the same features as the AD-HF but also utilizes an electronically controlled governor that enables increased dry air processing, is more energy-efficient, and provides for diagnostic capabilities.

Since these air dryers were designed with our customers in mind, servicing them is a snap. The serviceable parts between the two are nearly identical. The only difference is the AD-HFi uses a solenoid operated governor, whereas the AD-HF utilizes the mechanical Bendix® D2® governor. In addition, instead of replacing the entire air dryer, cartridge pressure protection valve kits, which are used for common service issues like dirt and corrosion failures, can be easily field installed in both the AD-HF and AD-HFi air dryer.



41 mm Oil Coalescing Cartridge



Cartridge Pressure Protection Valve Kit



Purge Valve Kit



D-2® Governor Kit

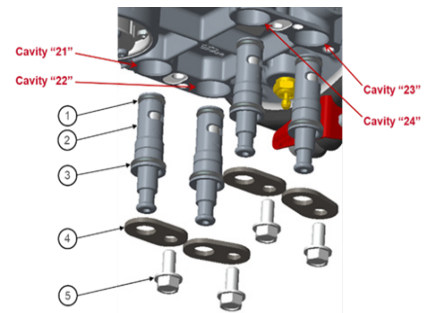


Product	Part Number	Air Dryer Type	Service New/Reman	OEM	Description
Aftermarket Air Dryer	K160647SC	AD-HF®	Service New	PACCAR	12V DC, Standard Purge
	K160648SC	AD-HF	Service New	PACCAR	12V DC, Extended Purge
	K160649SC	AD-HF	Service New	PACCAR	24V DC, Extended Purge
	K160650SC	AD-HF	Service New	PACCAR	12V DC, Standard Purge Extended Purge Port
	K162935SC	AD-HF	Service New	Isuzu	12V, DC, Standard Purge
	K164016SC	AD-HF	Service New	Ford	12V DC, Standard Purge
	K164017SC	AD-HF	Service New	Navistar®	12V DC, Standard Purge
	K164018SC	AD-HF	Service New	Hino®	12V DC, Standard Purge
	K164293SC	AD-HF	Service New	Navistar	12V DC Standard Purge
	K183940SC	AD-HFi™	Service New	PACCAR	Electronic Governor, Standard Purge
	K183941SC	AD-HFi	Service New	PACCAR	Electronic Governor, Extended Purge
<i>All service new AD-HF air dryers (SC suffix on the part number) have a core charge.</i>					
Cartridge Pressure Protection Valve (CPPV) Kits	K194713	AD-HF	N/A	PACCAR	AD-HF CPPV Kit
	K194714	AD-HF	N/A	Ford	AD-HF CPPV Kit
	K194715	AD-HF	N/A	Hino	AD-HF CPPV Kit
	K194715	AD-HF	N/A	Isuzu	AD-HF CPPV Kit
	K210935	AD-HF	N/A	Navistar	AD-HF CPPV Kit
<i>CPPV kits are offered for every application. One kit contains four cartridges, mounting hardware, o-rings and lube. See chart A below for CPPV spring setting PSIs by corresponding cavity. See chart B below for the proper CPPV cavity locations.</i>					

Chart A: Cartridge Pressure Protection Valve (CPPV) Spring Setting PSIs

OEM	Kit Part Number	Port/Cavity Designation			
		21	22	23	24
PACCAR	K194713	103	112	112	112
Ford	K194714	103	103	112	103
Hino	K194715	112	103	112	103
Isuzu	K194715	103	112	103	112
Navistar	K210935	103	103	103	103

Chart B: Cavity Locations



CPPVs are marked with their factory-set pressure setting.
The correct CPPV must be installed in its corresponding cavity.

Product	Part Number	Air Dryer Type	Description
Governors	K194718	AD-HF	Cut-in 105 PSI, Cut-out 130 PSI
	K194719	AD-HF	Cut-in 105 PSI, Cut-out 125 PSI
	K194720	AD-HF	Cut-in 120 PSI, Cut-out 140 PSI
	K232227	AD-HF	Cut-in 128 PSI, Cut-out 139 PSI
	K207883	AD-HFi	12-Volt Solenoid-operated
Air Dryer Cartridges	5009041PG	AD-HF, AD-HFi	PuraGuard® Oil Coalescing Cartridge (41mm Thread)
Purge Valve Kits	K022105	AD-HF, AD-HFi, Bendix® AD-IS®, Bendix® AD-IP®, Bendix® AD-9si®	Air Dryer Hard Seat Purge Valve Kit
	K031562	AD-HF, AD-HFi, AD-IS, AD-IP, AD-9si	Air Dryer DLU Purge Valve Kit
AD-HF / AD-HFi Major Maintenance Kits	K244456	AD-HF, AD-HFi	Desiccant Cartridge & Purge Valve Kit
	K244460	AD-HF, AD-HFi	Desiccant Cartridge, Purge Valve Kit & CPPV Kit #1 103, #3 112
	K244463	AD-HF, AD-HFi	Desiccant Cartridge, Purge Valve Kit & CPPV Kit #3 103, #1 112
	K244465	AD-HF, AD-HFi	Desiccant Cartridge, Purge Valve Kit & CPPV Kit #2 103, #2 112

The Bendix® AD-HF and AD-HFi air dryers are the highest performance air supply solution for commercial vehicles. For more information, contact your Bendix Account Manager, call 1-800-AIR-BRAKE or visit bendix.com or B2Bendix.com today.

