

#### Function

The **Quick Release Valve** is generally used in the supply to the spring portions of spring brake actuators to speed up the application of the parking brake.

The Quick Release Valve KX2552/3 with by-pass can be useful in air suspension systems in ensuring the complete venting of the air bag

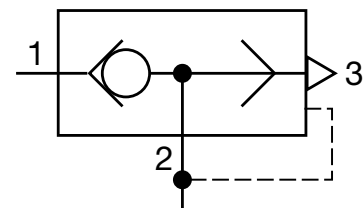


#### Technical Features

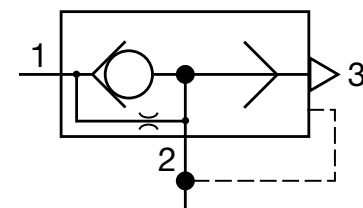
Maximum operating pressure:	10 bar
Operating Temperature Range:	-40 °C to +80 °C
Weight:	see table

#### Standard Symbol as DIN ISO 1219

K162630N00  
KX2000/1  
1186892



KX2552/3



#### Range Overview

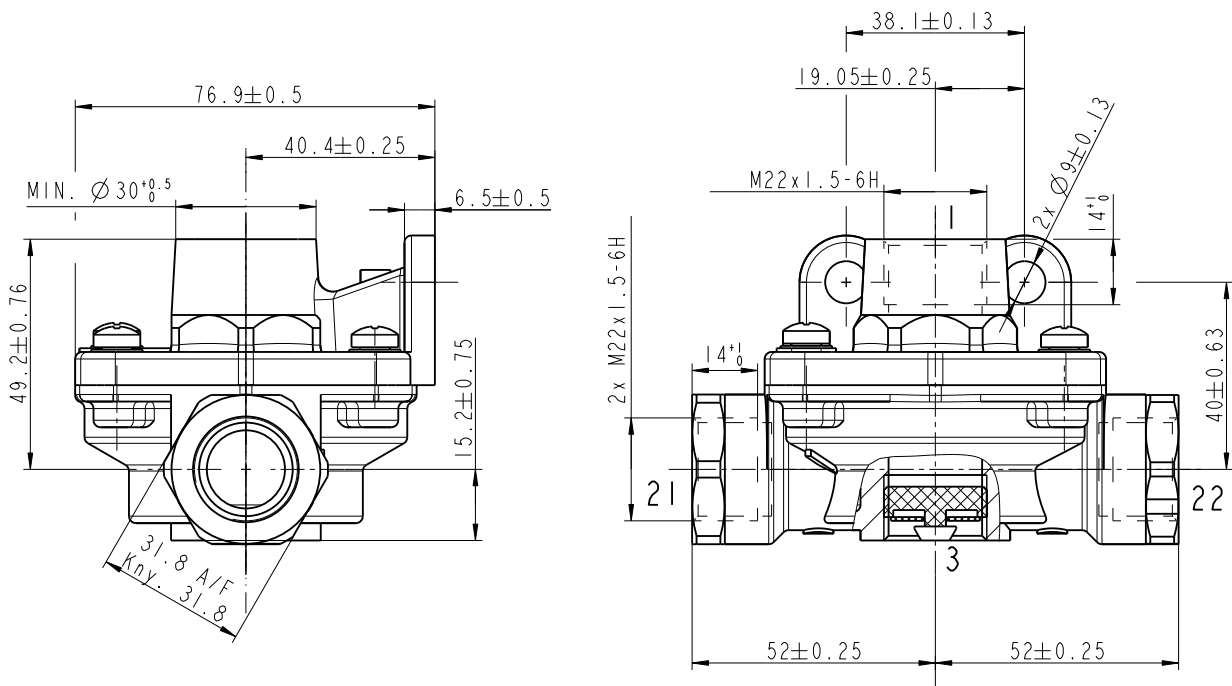
Part No.	Type No.	Air Port Threads		
		1	2	3
K162630N00	-	M22x1.5	2 x M22x1.5	Exhaust flap in M22x1.5
KX2000/1*				M22x1.5*
KX2552/3*			2 x M16x1.5	
1186892*				

Part No.	Type No.	By-pass	Weight (kg) approx.
K162630N00	-	-	0.3
KX2000/1*		Ø 2.0 mm	
KX2552/3*			
1186892*		-	

\* without Exhaust Flap I46367 in Port 3. It can be purchased separately.

#### Dimensions

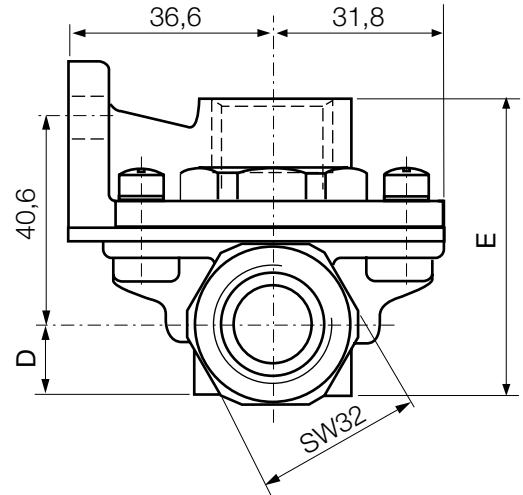
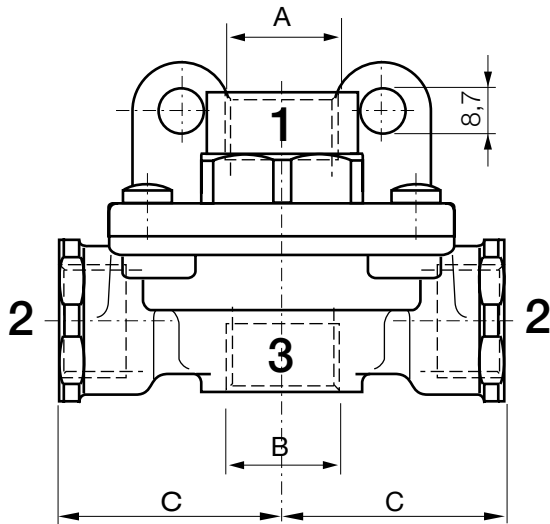
#### K162630N00



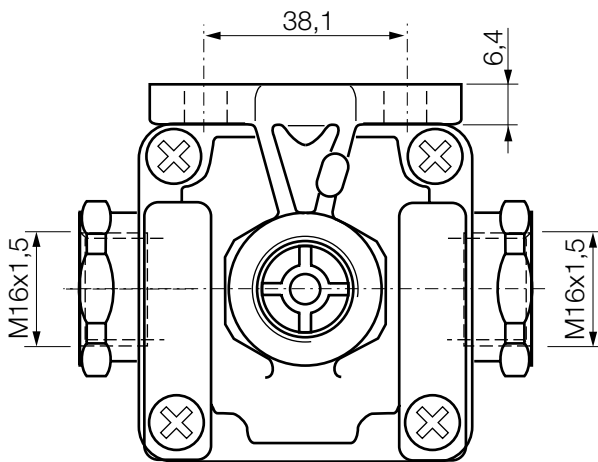
Ports:

- 1 = Supply
- 2 = Delivery
- 3 = Exhaust

KX2552/3  
1186892

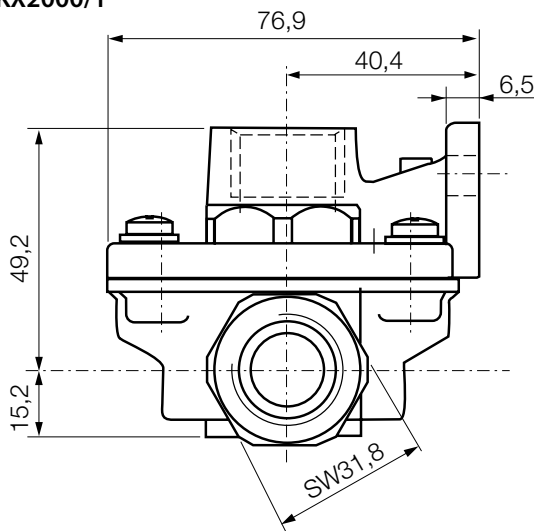


Ports:  
1 = Supply  
2 = Delivery  
3 = Exhaust



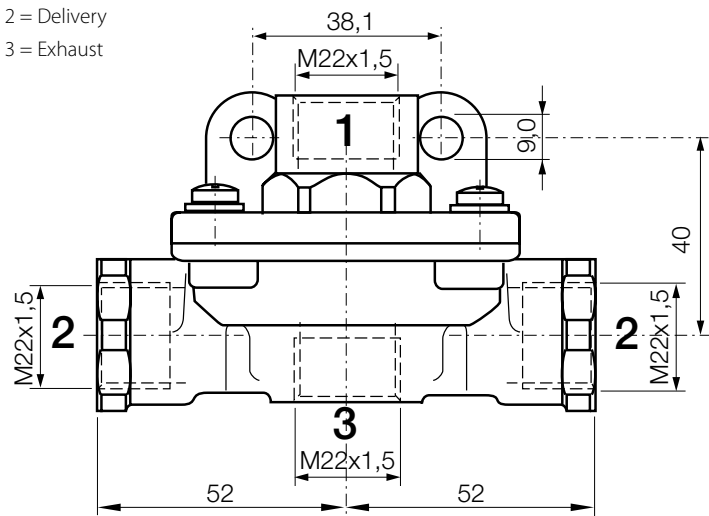
Part No.	A	B	C	D	E
KX2552/3	M22x1.5	M22x1.5	41.9	14.5	44.3
1186892			41.6	14.0	43.9

KX2000/1



Ports:

- 1 = Supply
- 2 = Delivery
- 3 = Exhaust



### Installation

1. Mount the Quick Release Valve in an upright position, exhaust port 3 facing downwards.
2. Never block the exhaust port or allow it to be close to any part of the vehicle.

*Note:*

Ensure that the exhaust is masked during any painting of the vehicle.

### Servicing

For information on the servicing of Quick Release Valves refer to the Product Search area of the website [www.Knorr-BremseCVS.com](http://www.Knorr-BremseCVS.com).

### Revision Details

Rev. 003	April 2019	New Layout



Knorr-Bremse Group

#### Knorr-Bremse Systems for Commercial Vehicles

Moosacher Strasse 80 | 80809 Munich | Germany  
Tel: +49 89 3547-0 | Fax: +49 89 3547-2767  
WWW.KNORR-BREMSECVS.COM

**Note**

All information is subject to change. A printed version of this document may therefore not correspond to the latest revision. To obtain the latest version, please visit our website [www.knorr-bremseCVS.com](http://www.knorr-bremseCVS.com) or contact a Knorr-Bremse representative in your area.

If service work is carried out on a vehicle based on information provided herein, it is the responsibility of the workshop to ensure the vehicle is fully tested and in full functional order before the vehicle is returned into service. Knorr-Bremse accepts no liability for problems caused as a result of appropriate tests not being carried out.

**Copyright © Knorr-Bremse AG**

All rights reserved, including industrial property rights applications. Knorr-Bremse AG retains any power of disposal, such as for copying and transferring.

**Up-to-date information on our products can be found on our website [www.knorr-bremseCVS.com](http://www.knorr-bremseCVS.com)**

**Disclaimer**

The information contained herein is intended for the exclusive use of trained persons within the commercial vehicle industry, and must not be passed on to any third party. All recommendations regarding products and their servicing or usage are with reference to Knorr-Bremse products and should not be considered applicable to products from other manufacturers.

This information does not purport to be all-inclusive and no responsibility is assumed as a result of its use. We cannot accept any liability nor offer any guarantee regarding data accuracy, completeness or timeliness.

The information does not represent any guarantee or ensured characteristics of the Products or Systems described. No liability can be accepted based on the information, its use, recommendations or advice provided. In no event may we be held liable for any damage or loss except in the case of wilful intent or gross negligence on our part, or if any mandatory legal provisions apply.

This disclaimer is an English translation of a German text, which should be referred to for all legal purposes. Any legal disputes arising from the use of this information shall be subject to German law.