

Technical Bulletin



Bulletin No: TCH-31-003

Effective Date: July 17, 2023

Cancels: N/A

Page: 1 of 2

Subject: Legacy Camshaft Bracket Part Number Cross Reference Instructions

This technical bulletin provides instructions on how to convert Legacy camshaft (cam) bracket part numbers to aftermarket, saleable Next Gen (NG) camshaft bracket part numbers using B2Bendix.com. The identified replacement parts will be referenced on B2Bendix.com under the "Closest Equivalent Product" tab. This only applies to scenarios where the Legacy Spider has been changed to a Next Gen Spider. If you are uncertain of which generation of Spider and/or cam bracket you have currently, please refer to Figures 5 and 6 below for dimensional assistance.

Part Number Cross Reference Instructions

To cross reference the Legacy cam bracket with the equivalent Next Gen (NG) cam bracket part number, complete the following steps:

1. Go to B2Bendix.com and in the **Search** field, enter the Legacy cam bracket part number. e.g. **804152**.

NOTE: Legacy part numbers must be the part numbers originally used per the VIN of the vehicle and cannot be superseded part numbers.

2. Press **Enter** or Search.
3. On the **Search Results** page, click on the part number from the original search. See Figure 2.
4. On the **Details** page, click the **Closest Equivalent Product** button. See Figure 3.

NOTE: This is the closest equivalent product and may not be an exact match to your searched part number. Please review all technical documentation before ordering to ensure proper fit, form, and function.

5. Select the result to see more details and/or order the replacement part. See Figure 4.

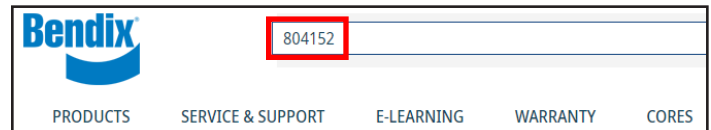


Figure 1 - Example Legacy Spider/Cam Bracket Search on B2Bendix.com

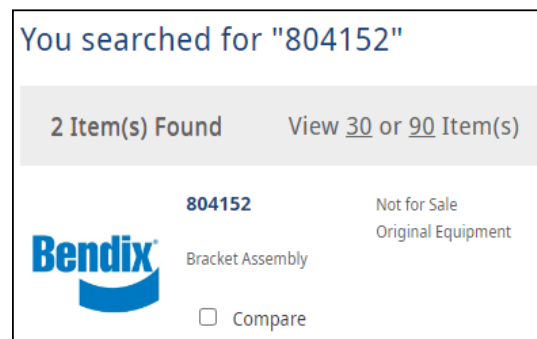


Figure 2 - Expand Details on Part Number Search



Figure 3 - Closest Equivalent Product Button

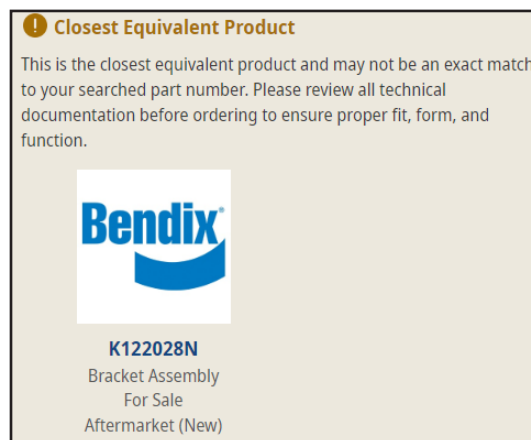


Figure 4 - Closest Equivalent Product Example

Continued...

How to Identify Difference between Legacy and Next Gen (NG) Cam Bracket

The Legacy and the Next Gen (NG) cam bracket have one key difference when identifying which part you may have. To tell the two brackets apart, measure the distance between the widest mounting holes to identify them as follows:

Legacy Cam Bracket Widest Mounting Holes

Distance: 7.00 Inches Across

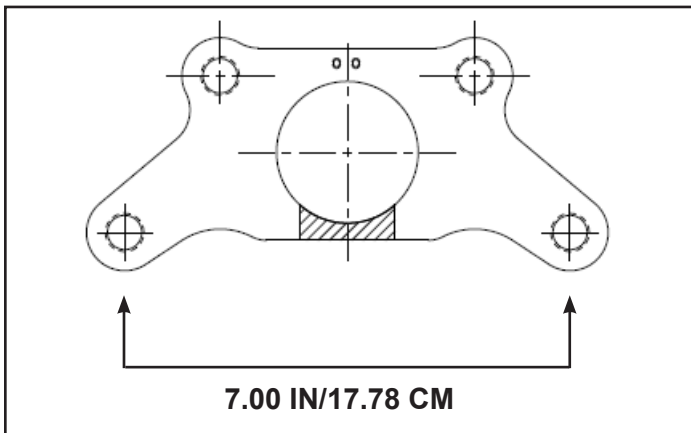


Figure 5 - Legacy Cam Bracket Mounting Holes

Next Gen Cam Bracket Widest Mounting Holes

Distance: 7.76 Inches Across

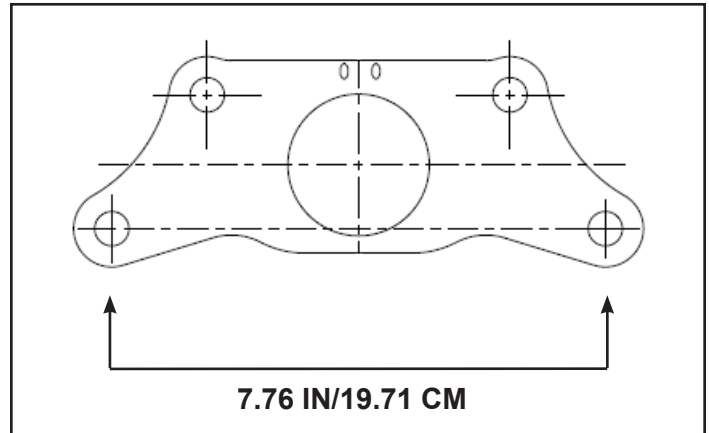


Figure 6 - Next Gen (NG) Cam Bracket Mounting Holes

Bendix Technical Assistance

For technical support, the Bendix Tech Team is available at 1-800-AIR-BRAKE (1-800-247-2725), option 2, Monday through Thursday, 8:00 a.m. to 6:00 p.m., and Friday, 8:00 a.m. to 5:00 p.m. ET. Follow the instructions in the recorded message. The Bendix Tech Team can also be reached by email at techteam@bendix.com.

