

Part Number Update

Bulletin No: PNU-221

Effective Date: December 21, 2015

Cancels: NA

Page: 1 of 1

Subject: Revised Knorr-Bremse® SN-7™ Air Disc Brake (ADB) Pad Kit Part Numbers Are Available

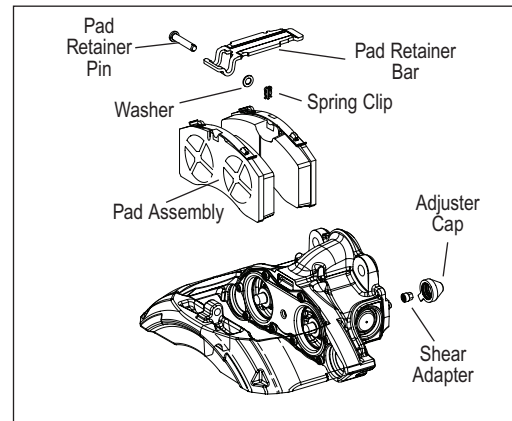
Effective immediately, Bendix announces the release of replacement Air Disc Brake pad kit part numbers as shown below. These pads feature a new backplate design and Knorr-Bremse® ProTecS™ pad retention systems including welded spring retainer clips (see image below).

Obsolete Knorr-Bremse® SN-7™ Pad Kit Pc. No.	Order Service New Knorr-Bremse SN-7 Pad Kit Pc. No.	Alternate* Service New Knorr-Bremse SN-7 Pad Kit Pc. No.	Application
5013257	K109249	K109319	Low-duty cycle/Line-haul
K046771K50			
K006060	K109318	—	High-duty cycle/Refuse/Transit

*The alternate part has the same fit and function of the service new replacement and can be used interchangeably.



NEW KNORR-BREMSE® SN-7™ ADB PAD WITH SPRING RETAINER CLIP



TYPICAL KIT CONTENTS WITH CALIPER

Please contact your Bendix Representative or the Bendix Tech Team at 1-800-AIR-BRAKE (1-800-247-2725, option 2) with any questions you may have regarding this update.

Log-on and Learn from the Best
 On-line training that's available when you are —24/7/365.
 Visit www.brake-school.com.

