



# Bendix® Trailer Information Module (TIM™) G2

## User Guide



### Using the Navigation Buttons



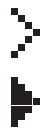
Press to move the cursor down one level.  
Hold down to jump to the final level. (Exit)



Press to move the cursor up one level.  
Hold down to jump up to the top of the list.



Select the chosen menu item.



The cursor is at a point with no sub menu.

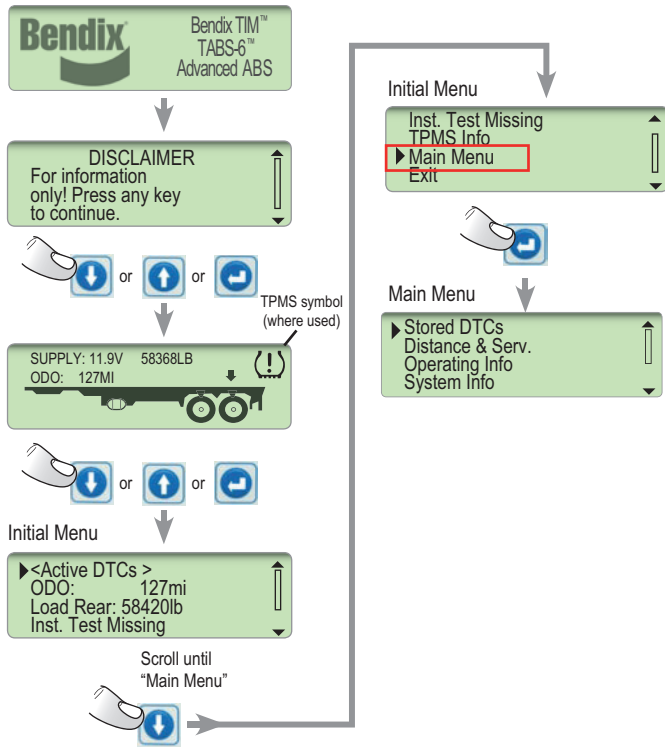


The cursor is at a point with a sub menu or an item that may be modified.

## DISPLAYS

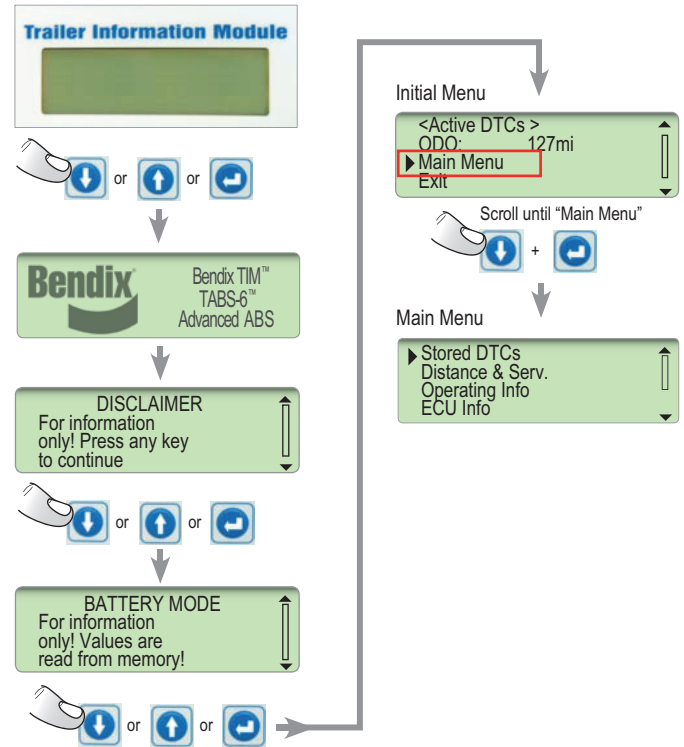
### With the ignition "ON"

The display is automatically activated. All menus are available.



### With the ignition "OFF"

The display is off, push any navigation button for one second to activate the display. Only limited menus are available.



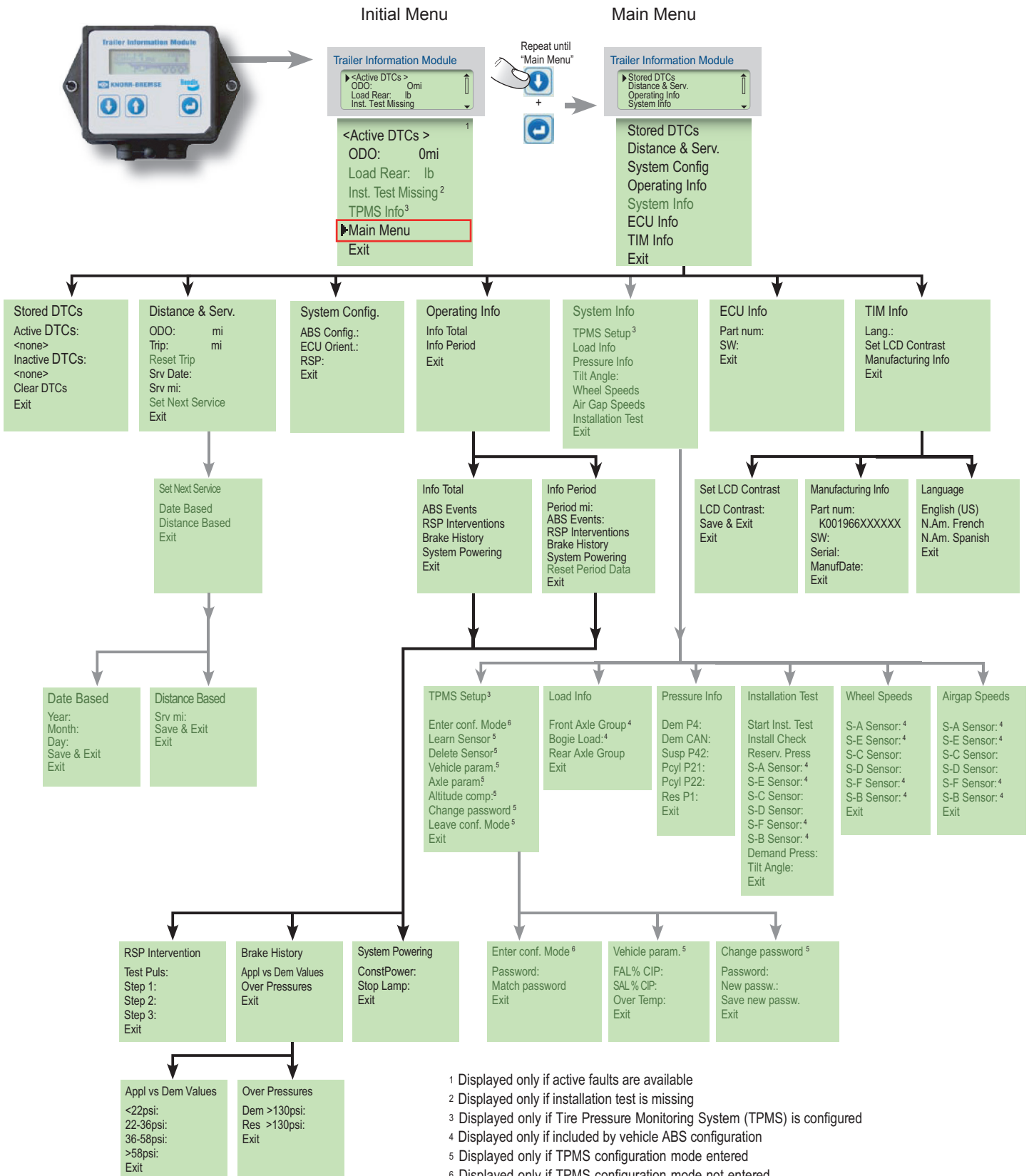
## SAFE MAINTENANCE PRACTICES

### **⚠ WARNING! PLEASE READ AND FOLLOW THESE INSTRUCTIONS TO AVOID PERSONAL INJURY OR DEATH:**

When working on or around a vehicle, the following general precautions should be observed at all times:

1. Park the vehicle on a level surface, apply the parking brakes, and always block the wheels. Always wear safety glasses. Where specifically directed, the parking brakes may have to be released, and/or spring brakes caged, and this will require that the vehicle be prevented from moving by other means for the duration of these tests/procedures.
2. Stop the engine and remove ignition key when working under or around the vehicle. When working in the engine compartment, the engine should be shut off and the ignition key should be removed. Where circumstances require that the engine be in operation, EXTREME CAUTION should be used to prevent personal injury resulting from contact with moving, rotating, leaking, heated or electrically charged components.
3. Do not attempt to install, remove, disassemble or assemble a component until you have read and thoroughly understand the recommended procedures. Use only the proper tools and observe all precautions pertaining to use of those tools.
4. If the work is being performed on the vehicle's air brake system, or any auxiliary pressurized air systems, make certain to drain the air pressure from all reservoirs before beginning ANY work on the vehicle. If the vehicle is equipped with a Bendix® AD-IS® air dryer system or a dryer reservoir module, be sure to drain the purge reservoir.
5. Following the vehicle manufacturer's recommended procedures, deactivate the electrical system in a manner that safely removes all electrical power from the vehicle.
6. Never exceed manufacturer's recommended pressures.
7. Never connect or disconnect a hose or line containing pressure; it may whip. Never remove a component or plug unless you are certain all system pressure has been depleted.
8. Use only genuine Bendix® brand replacement parts, components and kits. Replacement hardware, tubing, hose, fittings, etc. must be of equivalent size, type and strength as original equipment and be designed specifically for such applications and systems.
9. Components with stripped threads or damaged parts should be replaced rather than repaired. Do not attempt repairs requiring machining or welding unless specifically stated and approved by the vehicle and component manufacturer.
10. Prior to returning the vehicle to service, make certain all components and systems are restored to their proper operating condition.
11. For vehicles with Automatic Traction Control (ATC), the ATC function must be disabled (ATC indicator lamp should be ON) prior to performing any vehicle maintenance where one or more wheels on a drive axle are lifted off the ground and moving.

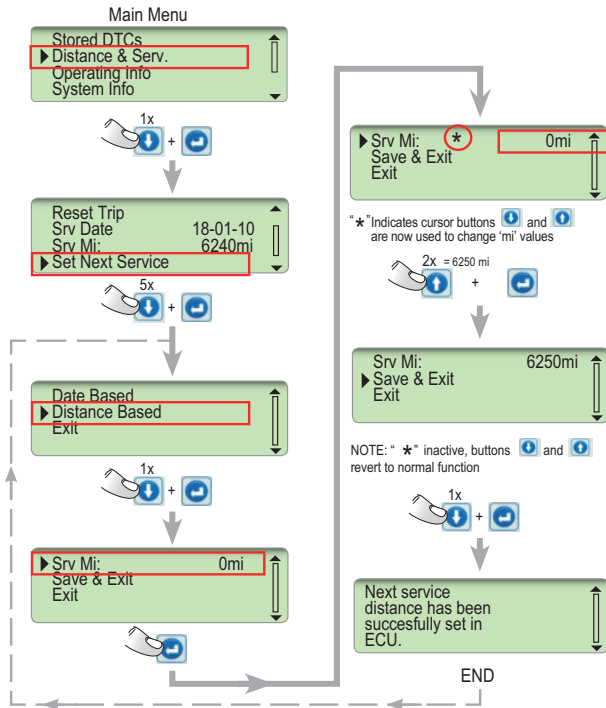
# MENU OVERVIEW



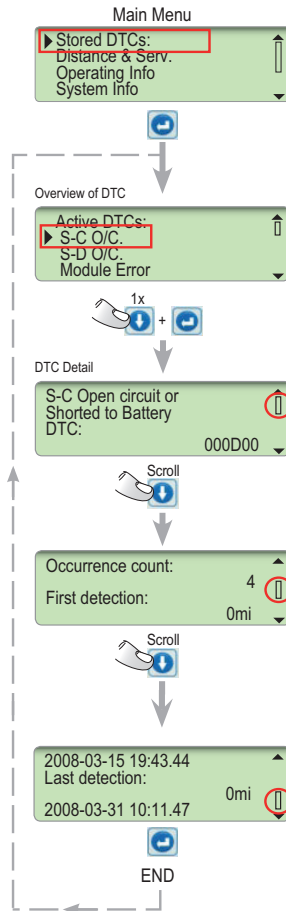
- 1 Displayed only if active faults are available
  - 2 Displayed only if installation test is missing
  - 3 Displayed only if Tire Pressure Monitoring System (TPMS) is configured
  - 4 Displayed only if included by vehicle ABS configuration
  - 5 Displayed only if TPMS configuration mode entered
  - 6 Displayed only if TPMS configuration mode not entered
- Menu choices in green are not available in BATTERY MODE

# EXAMPLES

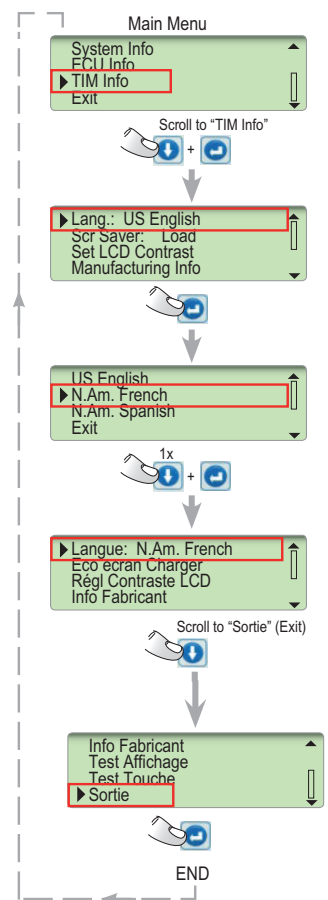
a) Setting next service distance to 6,250 miles (mi)



b) Display current Diagnostic Trouble Code (DTC) status



c) Changing the language default



d) Installation test

