



The Bendix® SDS-9600™ Trailer Suspension Dump Valve

High capacity air flow. Proven Bendix performance.

How many times have you experienced premature tire wear or suspension damage on your multi-axle trailers equipped with wide spread air suspensions during low speed turns? If these trailers are a part of your fleet, you understand the hassle – and more importantly, the cost – of this unique operating challenge.

Bendix now offers an effective and economical solution...the Bendix SDS-9600 trailer suspension dump valve.

Working with our Bendix® TABS-6 trailer ABS, the SDS-9600 valve supplies a federal-regulation compliant axle dump feature that dumps a portion of the air out of the rear axle suspension of spread axle trailers, helping to prevent damage to tires, frames as well as improved protection for suspension components during slow speed turns.

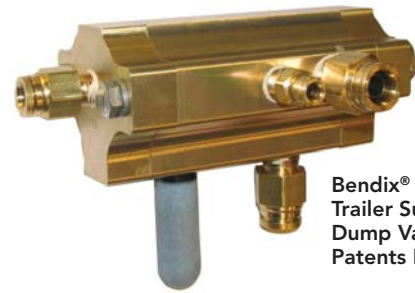
Protecting your suspension and related components from potential damage, the SDS-9600 valve also enables the system to more efficiently refill the suspension bags above 10 mph, before temporarily disengaging to prevent unintended suspension dumping during normal driving.

Our hard-working, reliable design:

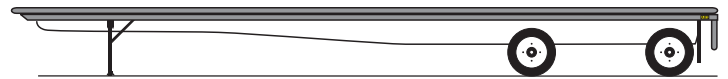
- Dumps the suspension bags effectively, while consuming no additional air during normal driving;
- Replaces the need for three separate valves mounted on the trailer, which means simplified installation and plumbing;
- Delivers high capacity air flow on both dump and fill, enabling quick suspension air exhaust and recharging.

Like all Bendix brand trailer products, the SDS-9600 dump valve offers performance, durability, and maximum value. It's tested against the toughest Bendix standards and backed by a powerful warranty ... one of the best in the business.

The Bendix® SDS-9600™ dump valve is one of the superior trailer solutions that maximize performance, lower cost per mile, and keep you on the road, safely.



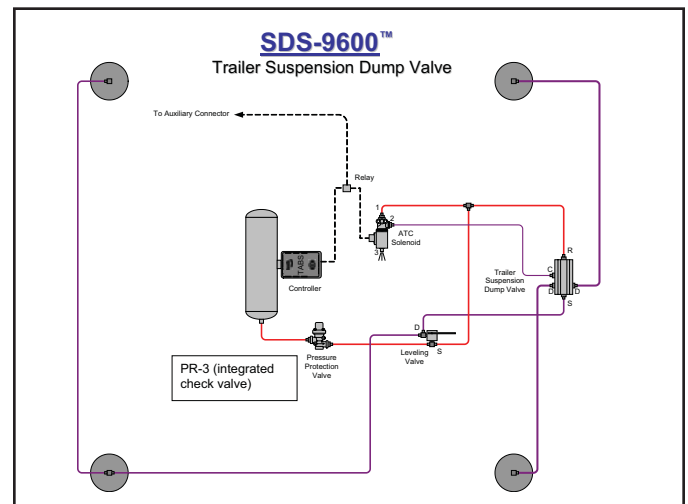
Bendix® SDS-9600™
Trailer Suspension
Dump Valve
Patents Pending



Spread Axle Trailer

Make sure to spec the Bendix® SDS-9600™ trailer suspension dump valve on your next trailer order.

And for retrofit options, order Bendix part number K026397 when servicing your vehicle.



When you want to protect your trailer air suspension system from premature wear and eliminate unwanted replacement cost, you want the Bendix SDS-9600 Trailer Suspension Dump Valve. For all the details, talk to your Account Manager, call 1-800-AIR-BRAKE, or visit www.bendix.com today.