

PURAGUARD QC™ OIL COALESCING FILTER

DESCRIPTION

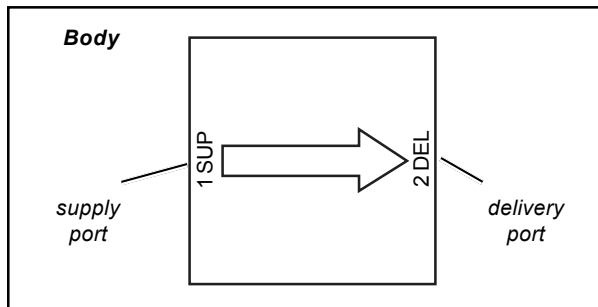
The PuraGuard QC™ oil coalescing filter provides purified compressed air on any air braked vehicles. It consists of a spin-on cartridge, mounted to an aluminum body. The spin-on cartridge contains a drain valve for maintenance. For ease of serviceability, all maintenance kits do not require removal of the assembly from its mounting on the vehicle.

Vehicles operate best with clean dry compressed air. The PuraGuard QC™ oil coalescing filter will remove particles and oil down to 1 micron in size. It must follow the air dryer in the system and removes approximately 90% of oil aerosols and particulates.

The PuraGuard QC™ oil coalescing filter replaces the PuraGuard™ system filter.

For service information see SD-08-187B.

Weight 2.5 lbs.
Device Code 187



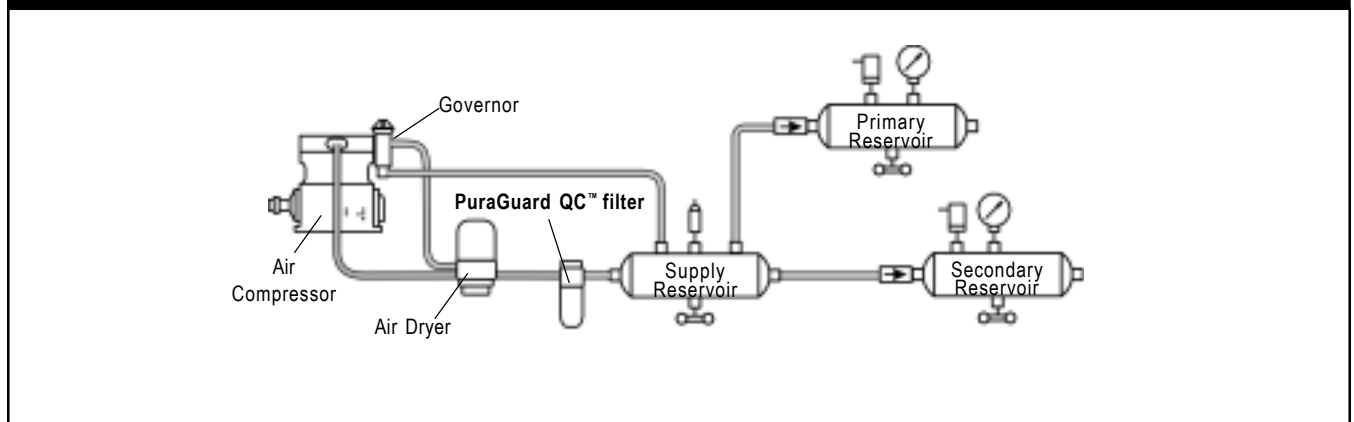
PURAGUARD OIL COALESCING FILTER PORT LOCATIONS

**PuraGuard QC™ oil coalescing filter
O.E. piece number to service new**

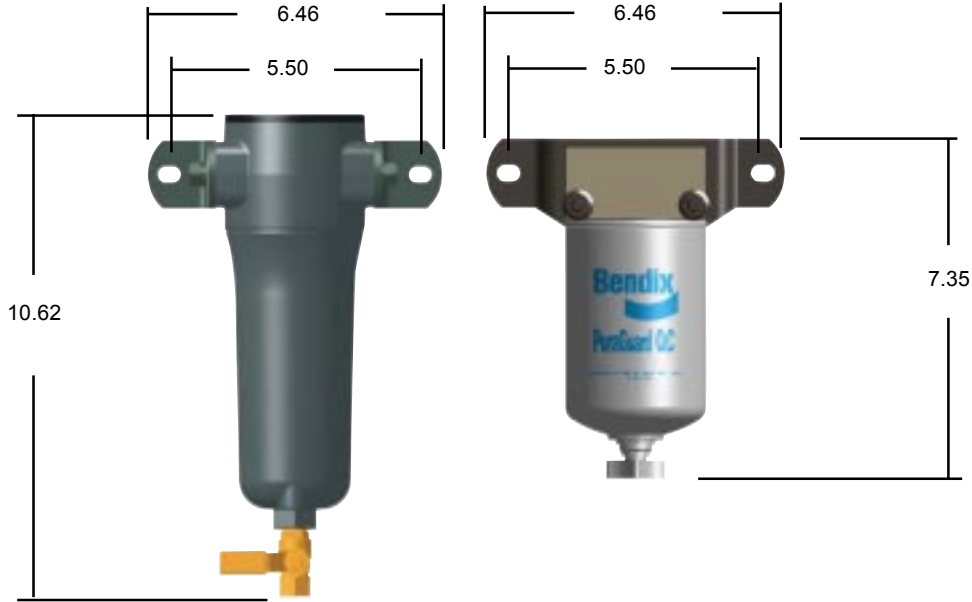
Serv. Pc. No.	O.E. Pc. No.	Supply Location	Delivery Location	Mounting Bracket
801731	5013655	position ports as needed		—
	5013675	A	B	Included
	5013676	B	A	Included

Service piece number 801731 contains the mounting bracket kit, but is not installed on the body.

SYSTEM APPLICATION



PURAGUARD QC™ INSTALLATION SYSTEM WITH AIR DRYER



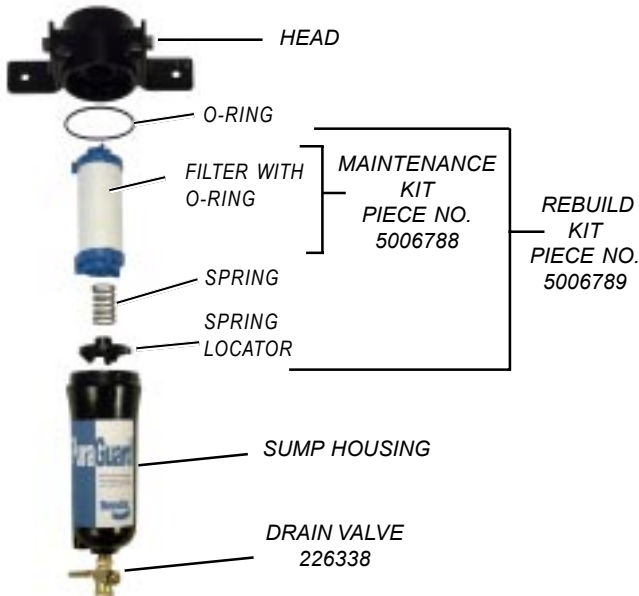
PuraGuard™ system filter
(Obsolete)

PuraGuard QC™ oil coalescing filter

Changeover from PuraGuard™ system filter to the PuraGuard QC™ oil coalescing filter

PuraGuard™ system filter piece no.	PuraGuard QC™ coalescing filter piece no.
800691	801731
5006655	5013675
5007074	5013676
5007421	5013655

**Maintenance Kits and Service Parts
PuraGuard™ System Filter**



**Maintenance Kits and Service Parts
PuraGuard QC™ Oil Coalescing Filter**



For ease of serviceability, the maintenance kits do not require the PuraGuard™ system filter or PuraGuard QC™ oil coalescing filter be removed from its mounting on the vehicle.