

# Technical Bulletin

Bulletin No: TCH-001-055

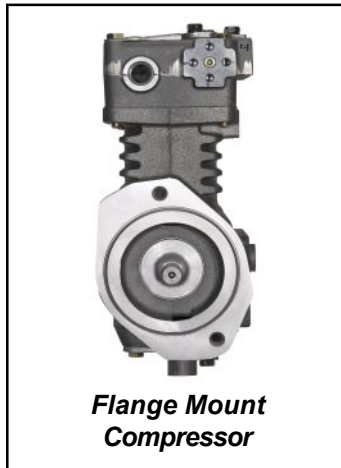
Effective Date: 7/22/05

Cancels: 5/10/05

Page: 1 of 1

## Subject: Note Change of Ports on Certain Bendix® Tu-Flo® 550 and Tu-Flo® 750 Compressors used for International Engines

As a product improvement, Bendix Commercial Vehicle Systems has phased in coolant and/or oil port changes on certain Bendix compressors used on International engines. See below for details of which engines are affected and the adapter kit or plug that may be required when servicing these compressors.



### Flange Mount

During the last quarter of 2004, Bendix changed the coolant ports in the head of the compressors listed below, from two M18 ports and one M14 port, to a standard of three M18 ports. The port which is affected by this change is typically plugged in this application. When ordering a service replacement, you will not be able to re-use the original plug. Please order an M18 coolant port plug as needed.

International Engine	Compressor	OE Part No.	Service Part No.	Reman Part No.
DT466	Tu-Flo® 550	5014143	801795	5014144X
HT570	Tu-Flo® 550	5014484	801827	5014488X
HT570	Tu-Flo® 750	5014485	801828	5014489X

**Coolant Port Plug M18, Part Number . . . . 5009373**

### Base Mount

International VT365 engines using Bendix® Tu-Flo® 550 base-mount compressors (part number 5009328) are also affected by the change in the third water port explained above. For this engine application, the third water port is typically not plugged so Bendix is making an M14 to M18 adapter available as part of a kit for ease of installation.

In addition, part number 5009328 is being superseded, during the second quarter of 2005, by part number 5015318. The replacement compressor varies by one oil port, featuring an M10 oil port instead of the original M8 oil port. To assist installation, the adapter kit also includes an M10 to M8 adapter.

International Engine	Compressor	OE Part No.	Service Part No.	Reman Part No.
VT365	Tu-Flo® 550	5009328	801087	5009330X
<b>Replaced by:</b> VT365	Tu-Flo® 550	5015318	801971	5015314X

**Adapter Kit** (contains M14 to M18 and M10 to M8 adapters)

Part Number . . . . . 5016415



### Reference

The Service Data sheet for the Bendix® Tu-Flo 550® compressor is SD-01-333 (order part number BW1639). The Service Data sheet for the Bendix® Tu-Flo® 750 compressor is SD-01-344 (order part number BW1637). These may be downloaded from [www.bendix.com](http://www.bendix.com).

