

Technical Bulletin



Bulletin No: TCH-31-002

Initial Release Date: December 12, 2023

Revision Date: March 15, 2024

Page: 1 of 1

Subject: Clearance Cut Calipers for Daimler Trucks North America (DTNA) Fuel Efficiency (FE) Suspension

Bendix now provides Clearance Cut calipers as both a Genuine Bendix® and Bendix® service new part to provide additional clearance to the surrounding components on the suspension on some Daimler Trucks North America (DTNA) vehicles with a Fuel Efficiency (FE) suspension. The FE suspension lowers the ride height of the vehicle at freeway speeds and requires a unique arrangement of components. Substitution of a caliper without the necessary clearance cut poses the risk of a caliper potentially interfering with the suspension after the pads wear.

This would not be initially apparent during the installation, which is why for tractors with a FE suspension, Bendix recommends ordering either a Genuine Bendix caliper or Bendix service new caliper with Clearance Cut (*refer to Figure 1*).

NOTE: Product designs may vary based on the specifications of the vehicle design. Bendix recommends servicing the caliper with the appropriate part number that will accommodate the suspension through VIN-specific OE databases. OE to aftermarket part number cross references can be verified through B2Bendix.com.

*Daimler Trucks North America (DTNA) is a subsidiary of Daimler Truck AG.

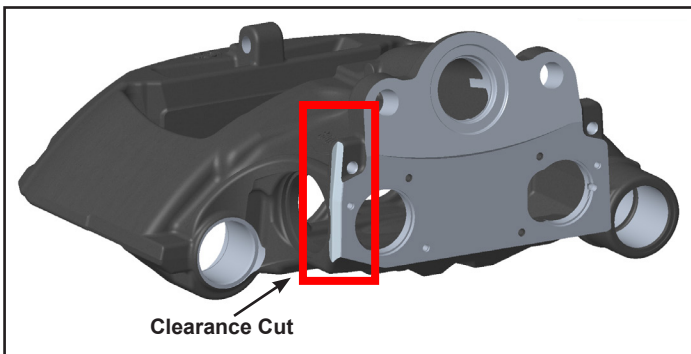


Figure 1 - Bendix Clearance Cut Caliper Example

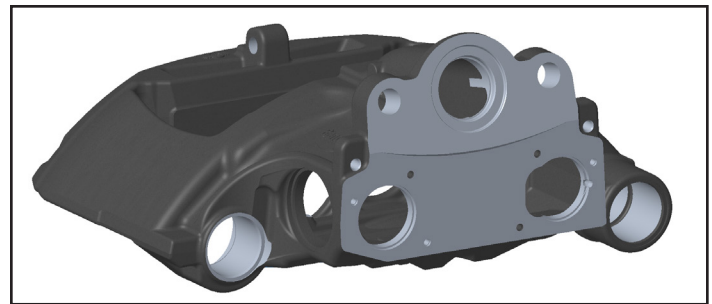


Figure 2 - Bendix Caliper without Clearance Cut

TYPE	PART NUMBER TYPE A (RIGHT)	PART NUMBER TYPE B (LEFT)	DESCRIPTION
Bendix OE New	K202838	K202839	Bendix OE New Clearance Cut Calipers
Bendix Service New	K204999SC	K205000SC	Bendix Service New Clearance Cut Calipers

Bendix Technical Assistance

For technical support, the Bendix Tech Team is available at 1-800-AIR-BRAKE (1-800-247-2725), option 2, Monday through Thursday, 8:00 a.m. to 6:00 p.m., and Friday, 8:00 a.m. to 5:00 p.m. ET. Follow the instructions in the recorded message. The Bendix Tech Team can also be reached by email at techteam@bendix.com.

