

# UP2DATE

## COMPRESSOR TECHNICAL MODIFICATIONS

**As a part of ongoing product development and alignment with customer requirements, Knorr-Bremse has introduced some innovations.**

As a result of changed vehicle requirements, Knorr-Bremse has customized some existing compressors in cooperation with IVECO, Cummins and Scania. These are further developments without changing the proven operating principle.

### 1. Compressors for IVECO and Cummins: 2 Part Cylinder Head

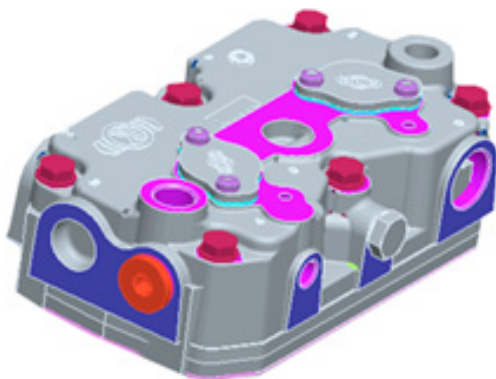
#### 1.1. Technical Modifications

The compressor cylinder head has been modified. This means that for the first repair in the Aftermarket, it is necessary to switch from the old generation cylinder head to the new generation by exchanging the complete cylinder head assembly.

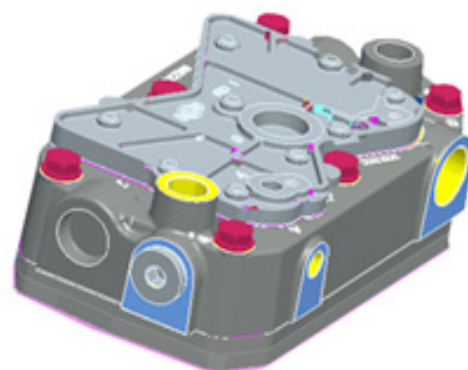
The cylinder head assembly consists of:

- 1 cylinder head kit
- 1 valve plate kit
- 1 gasket kit or 1 complete gasket kit for ESS versions

**Old Cylinder Head**



**New Cylinder Head**



## 1.2 Overview of Part-Numbers for Cummins and IVECO Compressors (New Generation)

Cummins OE Compressor Replacements				
	Old Part No.		New Part No.	
	Knorr-Bremse No.	Vehicle Manufacturer Part No.	Knorr-Bremse IAM No.	Vehicle Manufacturer Part No.
Truck	1194456	4071225	K035001N00	5257958
Truck	K006608	4929297	K033366N00	5257935
Bus	K006610	4929298	K033378N00	5257936
Bus	K006611	4929295	K033381N00	5257937
Bus	K006612	4929294	K033392N00	5257938
Bus	K006613	3977147	K051401N00	5343642
Bus	K019879	4986287	K033412N00	5257940

Iveco OE Compressor Replacements				
	Old Part No.		New Part No.	
	Knorr-Bremse No.	Vehicle Manufacturer Part No.	Knorr-Bremse IAM No.	Vehicle Manufacturer Part No.
Truck	K000821	41211339	K022249N00	504308843
Truck	K001126	41211340	K022263N00	504293730
Bus	K001126	41211340	K031813N00	5801216167
Bus	K001127	504080658	K031852N00	504293718
Bus	K002120	504079460	K022264N00	504353252
Bus	K002123	504079463	K022265N00	504353253

### 1.3 Overview of IVECO and Cummins Kits for Cylinder Heads

For the first replacement (only the first) from old to new generation, the complete cylinder head assembly (cylinder head and valve plate, with gaskets) must be replaced.

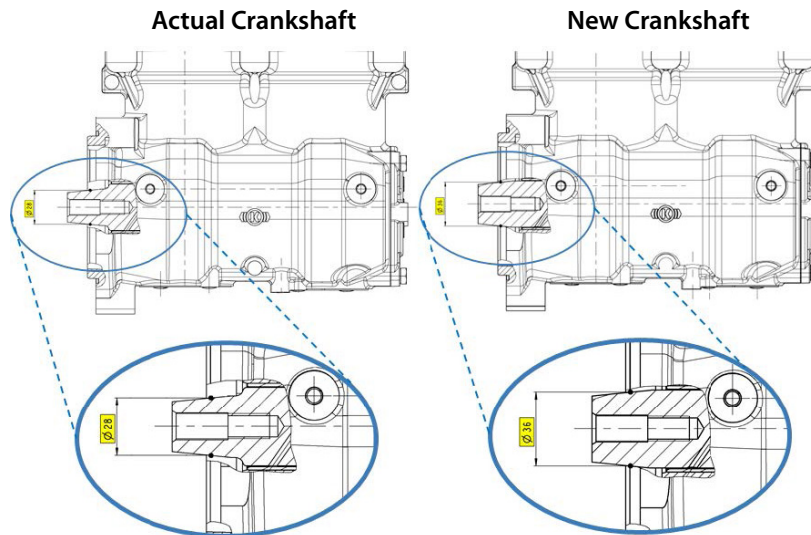
Compressors		Kits for AM Cummins			
		Cylinder Head Kit incl. cylinder head, gaskets, cylinder head bolts		Valve Plate	
Old Part No.	New IAM Part No.	Old Part No.	New Part No.	Old Part No.	New Part No.
1194456	K035001N00	SEB22577	K151866K50	SEB01879004	K044410K50
K006608	K033366N00	SEB22577	K151866K50	SEB01879004	K044410K50
K006610	K033378N00	SEB22577	K151866K50	SEB01879004	K044410K50
K006611	K033381N00	SEB22577	K151866K50	SEB01879004	K044410K50
K006612	K033392N00	SEB22577	K151866K50	SEB01879004	K044410K50
K006613	K051401N00	SEB22576	K151867K50	SEB01879004	K151869K50
K019879	K033412N00	SEB22577	K151866K50	SEB01879004	K044410K50

Compressors		Kits for AM Iveco			
		Cylinder Head Kit incl. cylinder head, gaskets, cylinder head bolts		Valve Plate	
Old Part No.	New IAM Part No.	Old Part No.	New Part No.	Old Part No.	New Part No.
K000821	K022249N00	SEB01851004	K112655K50	SEB01878004	K041488K50
K001126	K022263N00	SEB01851004	K112655K50	SEB01878004	K041488K50
K001126	K031813N00	SEB01851004	K112655K50	SEB01878004	K041488K50
K001127	K031852N00	SEB22578	K112466K50	SEB01879004	K044410K50
K002120	K022264N00	SEB22588	K112715K50	SEB01879004	K044410K50
K002123	K022265N00	SEB01873004	K112296K50	SEB01878004	K041488K50

## 2. Scania 720cc Increased Crankshaft Cone

### 2.1. Technical Modifications

To improve the contact between compressor crankshaft cone and the drive gear and as a technical improvement for some engine applications, Scania decided to replace the compressor's crankshaft on all its Euro 4, 5 and 6 applications. The crankshaft's diameter increases from 28 mm to 36 mm and **only fits the new gear**.



The compressors are only interchangeable using the new gear, supplied by Scania OES. The old compressor version is still offered for the IAM.

**Note:** Please check the part number of the installed compressor.

### 2.2. Overview of Compressor Part-Numbers

Because of the introduction of the increased crankshaft's diameter, there are changes to the part numbers.

Euro	Engine	Crankshaft Cone Ø 28			Crankshaft Cone Ø 36		
		Knorr-Bremse OE	Scania OE	Knorr-Bremse IAM	Knorr-Bremse OE	Scania OE	Knorr-Bremse IAM
6	DP	-	-	-	K038653N05	1918307	K038653N00
4, 5, 6	NGS Inline	K024410N05	1880194	K024410N00	K053740N05	2024413	K053740N00
	NGS V8	K009581	1767161	K009581000	K053643N05	2024412	K053643N00
	DL	K009580	1901246	K009580000	K053603N05	2024410	K053603N00
	DL Bus	K018625	1901247	K018625000	K053655N05	2024411	K053655N00

EVERY VEHICLE TELLS ITS STORY.  
**KEEP IT RUNNING.**

Up-to-date information on our products can be found on our website [www.knorr-bremsecvs.com](http://www.knorr-bremsecvs.com)



Knorr-Bremse Group

#### Knorr-Bremse Systems for Commercial Vehicles

Moosacher Strasse 80 | 80809 Munich | Germany  
Tél: +49 89 3547-0 | Fax: +49 89 3547-2767  
[WWW.KNORR-BREMSECVS.COM](http://WWW.KNORR-BREMSECVS.COM)

#### Note

All information is subject to change. A printed version of this document may therefore not correspond to the latest revision. To obtain the latest version, please visit our website [www.knorr-bremsecvs.com](http://www.knorr-bremsecvs.com) or contact a Knorr-Bremse representative in your area.

If service work is carried out on a vehicle based on information provided herein, it is the responsibility of the workshop to ensure the vehicle is fully tested and in full functional order before the vehicle is returned into service. Knorr-Bremse accepts no liability for problems caused as a result of appropriate tests not being carried out.

#### Copyright © Knorr-Bremse AG

All rights reserved, including industrial property rights applications. Knorr-Bremse AG retains any power of disposal, such as for copying and transferring.

#### Disclaimer

The information contained herein is intended for the exclusive use of trained persons within the commercial vehicle industry, and must not be passed on to any third party. All recommendations regarding products and their servicing or usage are with reference to Knorr-Bremse products and should not be considered applicable to products from other manufacturers. This information does not purport to be all-inclusive and no responsibility is assumed as a result of its use. We cannot accept any liability nor offer any guarantee regarding data accuracy, completeness or timeliness. The information does not represent any guarantee or ensured characteristics of the Products or Systems described. No liability can be accepted based on the information, its use, recommendations or advice provided. In no event may we be held liable for any damage or loss except in the case of wilful intent or gross negligence on our part, or if any mandatory legal provisions apply. This disclaimer is an English translation of a German text, which should be referred to for all legal purposes. Any legal disputes arising from the use of this information shall be subject to German law.