

Bracket Assembly

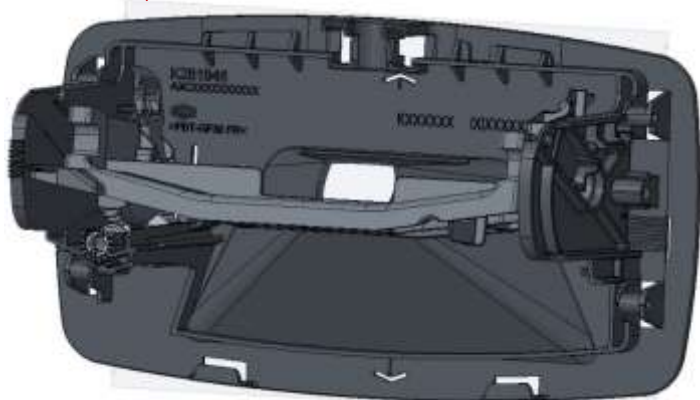
Mounting

FLC-20 Ref. Pt. #K109285
Mounting = Headliner



Adhesive

FLC-25 Ref. Pt. #K281948

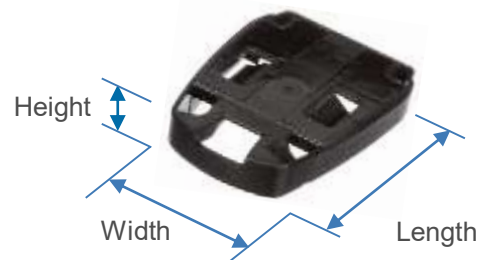


Bracket Angle

FLC-20 Ref. Pt. #K109285
Bracket Angle = -1.5°



Product Dimensions



Bracket Angle

FLC-25 Ref. Pt. #K281948
Bracket Angle = 74°

