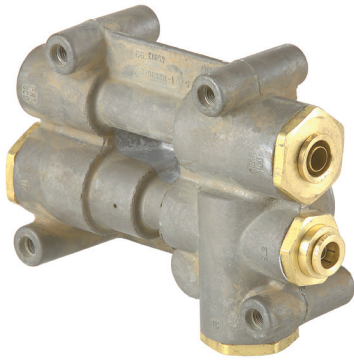


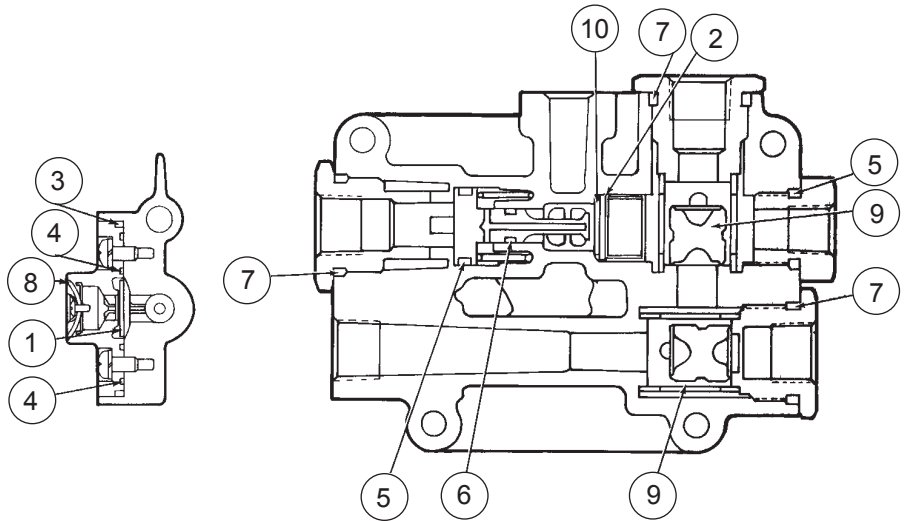
# Installation Instructions



## BENDIX® TP-5™ TRACTOR PROTECTION VALVE MAINTENANCE KIT



**Bendix® TP-5™ Tractor Protection Valve**



Kit Contents		
Item No.	Description	Qty.
1	Diaphragm	1
2	Retaining Ring	1
3	O-Ring	1
4	O-Ring	2
5	O-Ring	2
6	O-Ring	1
7	O-Ring	3
8	Diaphragm	1
9	Shuttle Valves	2
10	Valve	1
11	Lubricant	1



**Figure 1 – Bendix® TP-5™ Tractor Protection Valve Maintenance Kit Contents**



## GENERAL SAFETY GUIDELINES

**WARNING! PLEASE READ AND FOLLOW THESE INSTRUCTIONS**

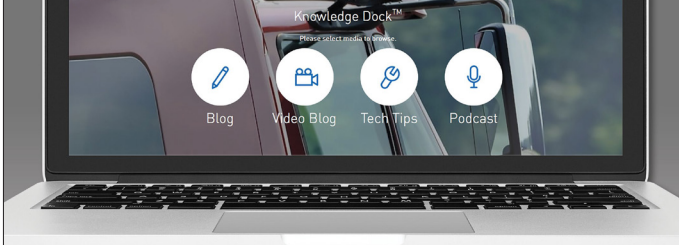
### TO AVOID PERSONAL INJURY OR DEATH:

When working on or around a vehicle, the following guidelines should be observed **AT ALL TIMES**:

- ▲ Park the vehicle on a level surface, apply the parking brakes and always block the wheels. Always wear personal protection equipment.
- ▲ Stop the engine and remove the ignition key when working under or around the vehicle. When working in the engine compartment, the engine should be shut off and the ignition key should be removed. Where circumstances require that the engine be in operation, **EXTREME CAUTION** should be used to prevent personal injury resulting from contact with moving, rotating, leaking, heated or electrically-charged components.
- ▲ Do not attempt to install, remove, disassemble or assemble a component until you have read, and thoroughly understand, the recommended procedures. Use only the proper tools and observe all precautions pertaining to use of those tools.
- ▲ If the work is being performed on the vehicle's air brake system, or any auxiliary pressurized air systems, make certain to drain the air pressure from all reservoirs before beginning ANY work on the vehicle. If the vehicle is equipped with a Bendix® AD-IS® air dryer system, a Bendix® DRM™ dryer reservoir module, or a Bendix® AD-9si® air dryer, be sure to drain the purge reservoir.
- ▲ Following the vehicle manufacturer's recommended procedures, deactivate the electrical system in a manner that safely removes all electrical power from the vehicle.
- ▲ Never exceed manufacturer's recommended pressures.
- ▲ Never connect or disconnect a hose or line containing pressure; it may whip and/or cause hazardous airborne dust and dirt particles. Wear eye protection. Slowly open connections with care, and verify that no pressure is present. Never remove a component or plug unless you are certain all system pressure has been depleted.
- ▲ Use only genuine Bendix® brand replacement parts, components and kits. Replacement hardware, tubing, hose, fittings, wiring, etc. must be of equivalent size, type and strength as original equipment and be designed specifically for such applications and systems.
- ▲ Components with stripped threads or damaged parts should be replaced rather than repaired. Do not attempt repairs requiring machining or welding unless specifically stated and approved by the vehicle and component manufacturer.
- ▲ Prior to returning the vehicle to service, make certain all components and systems are restored to their proper operating condition.
- ▲ For vehicles with Automatic Traction Control (ATC), the ATC function must be disabled (ATC indicator lamp should be ON) prior to performing any vehicle maintenance where one or more wheels on a drive axle are lifted off the ground and moving.
- ▲ The power **MUST** be temporarily disconnected from the radar sensor whenever any tests **USING A DYNAMOMETER** are conducted on a vehicle equipped with a Bendix® Wingman® system.
- ▲ You should consult the vehicle manufacturer's operating and service manuals, and any related literature, in conjunction with the Guidelines above.

*NOTE: The list of parts on page 1 are keyed to the numbers in Figure 1, cross sectional view, so location of parts can be determined. (See page 1).*

1. Block the vehicle wheels and completely drain the air brake system.
2. Remove the air lines and the electrical connections from the manifold and remove the manifold from the vehicle.
3. Remove each of the four hex head cap nuts noting the order of the parts removed.
4. With a pair of internal snap ring pliers, reach into the port marked SLS-BLK and remove the snap ring, spring, and valve.
5. Remove the two screws retaining the cover to the body, also noting the order of the parts removed.
6. After complete disassembly of the manifold, clean all parts, bores, and passages with a cleaning solvent equivalent to mineral spirits.
7. Coat bores, pistons, o-rings, o-ring grooves, and rubber parts with lubricant (11) that is supplied with the kit.
8. Reassemble the valve in the reverse order of disassembly, making sure all parts are properly aligned and free moving.




**Trucking moves fast. Move faster.**

**Knowledge Dock™**

• BLOGS • PODCASTS • VIDEOS • 24/7/365

[ [knowledge-dock.com](http://knowledge-dock.com) ]



# Bendix®

### Log-on and Learn from the Best

On-line training that's available when you are –24/7/365.  
Visit [brake-school.com](http://brake-school.com).