

ANTILOCK BRAKING SYSTEM PARTS

*Stocking Guide
for ABS*

*A quick guide to the most popular
and fast-moving ABS parts.*

Carry the Best. Sell the Best.
Bendix® ABS Products.
Bendix Commercial Vehicle Systems, LLC.



Tractor/Truck Suggested Stock



| Wheel Speed Sensors | Description | Part No. | Recommended Stock Level* |
|--|---|----------|--------------------------|
| WS-24™ Speed Sensor | DT, straight, 1905mm lead | 801552 | High |
| WS-24™ Speed Sensor | DT, 90 degree, 1016mm lead | 801551 | High |
| WS-24™ Speed Sensor | DTM, 90 degree, 1524mm lead | 801546 | High |
| WS-24™ Speed Sensor | DIN, straight head, 1687mm lead | 801543 | High |
| WS-24™ Speed Sensor | DT, 0 deg head, 1524mm lead | 801549 | High |
| WS-24™ Speed Sensor | DIN, 90 deg, 1919mm lead | 801538 | Med |
| WS-24™ Speed Sensor | DTM, 90 degree, 1219mm lead | 801548 | Med |
| WS-24™ Speed Sensor | DT, straight, 1016mm lead | 801553 | Med |
| WS-24™ Speed Sensor | P(150.2), 90 degree w/convoluted tubing, 1905mm lead | 801566 | Med |
| WS-24™ Speed Sensor | DT, straight head, 2617mm lead | 801565 | Med |
| WS-24™ Speed Sensor | DT, 90 deg, 1905mm lead | 801550 | Med |
| WS-24™ Speed Sensor | GT 150, straight w/ convoluted tubing, 1092mm lead | 801556 | Med |
| WS-24™ Speed Sensor | P(150.2), straight, 1600mm lead w/convoluted tubing | 801567 | Med |
| WS-24™ Speed Sensor | DIN, 90 deg, 319mm lead, low temp cable (trailer market only) | 801544 | Med |
| WS-24™ Speed Sensor | GT 150, 90 deg, 949mm lead w/convoluted tubing | 801558 | Med |
| WS-24™ Speed Sensor | DTM, Straight, 1524mm lead | 801563 | Med |
| WS-24™ Speed Sensor | DIN, Straight, 1987mm lead | 801542 | Med |
| WS-24™ Speed Sensor | DT, 90 degree, 2617mm lead | 801836 | Med |
| WS-24™ Clamp Sleeve | Wheel speed sensor clamp sleeve | 801534 | High |
| Electronic Control Units (ECU's) | | | |
| EC-30™ Controller | ABS ECU | 801236 | Med |
| EC-60™ Controller | ABS-6 Standard with PLC, in-cab mount | 801877 | Low |
| EC-60™ Controller | ABS-6 Premium (ATC) with PLC, in-cab mount | 803167 | Low |
| Gen 4/5™ Controller | Basic Gen 5 unit, 4-ch., ABS only with PLC - frame mount | 801762 | Low |
| Gen 4/5™ Controller | Basic Gen 5 unit, 4-ch., ABS only with PLC - frame mount | 801760 | Low |
| Gen 4/5™ Controller | Basic Gen 5 unit, 4-ch., ABS only with PLC - in-cab mount | 801752 | Low |
| Gen 4/5™ Controller | Gen 5 unit capable of 6-ch., ABS/ATC but configured for 4S/4M ABS with PLC - in-cab mount | 801753 | Low |
| Diagnostics (ECU's) | | | |
| RDU | Remote Diagnostic Unit for Bendix trailer ABS systems | 801869 | High |
| RDU | 9-pin to 6-pin adapter cable | 801872 | Med |
| RDU | 9-pin to 9-pin extension cable | 802229 | Med |
| Modulators | | | |
| M-32QR™ Valve | QR modulator valve w/1/2" NPT ports & Packard connector | 801481 | High |
| M-32QR™ Valve | QR modulator valve w/1/2" core PTC ports & Packard connector | 801479 | Med |
| M-32™ Valve | Modulator valve w/1/2" NPT ports & Packard connector | 801585 | Low |
| M-32™ Valve | Spare Kit consists of part no's 5016842 harness & 801585 M-32 Modulator | 802363 | Low |
| M-32™ Valve | Modulator valve w/1/2" NPT ports and Bayonet connector | 801665 | Low |
| Antilock Relay Valves | | | |
| AR-1™ Valve | With 2 1/2" NPT delivery port (valve style "C") | 800179 | Low |
| AR-2™ Valve | With 1/2" PT delivery port (View 2) / Freightliner | 800299 | Low |
| AR-1™ Valve | With 2 1/2" NPT delivery port (valve style "C") / Freightliner | 800297 | Low |
| AR-2™ Valve | With 1/2" PT delivery port (View 2) | 800186 | Low |
| R-15 Relay Valve | 4.0 p.s.i. crack pressure | 801928 | Low |
| R-15 Relay Valve | 5.5 p.s.i. crack pressure | 801929 | Low |
| R-15 Relay Valve | 4.0 p.s.i. crack pressure with bracket | 801935 | Low |
| R-15 Relay Valve | 5.5 p.s.i. crack pressure with bracket | 802351 | Low |
| Antilock Relay Valves w/ Traction | | | |
| ATR-1™ Valve | With 1/2" PT delivery port & DT04-2P connector | 800030 | Low |
| ATR-1™ Valve | With 1/2" delivery port & DT06-2S connector | 800818 | Low |
| ATR-2™ Valve | With 3/8" delivery ports & DT04-2P connector | 065663 | Low |
| ATR-2™ Valve | With 1/2" delivery port & DT04-2P connector | 065509 | Low |
| ATR-3™ Valve | With 1/2" delivery port & bayonet connector 5.5 p.s.i. crack pressure | 801930 | Low |
| ATR-3™ Valve | With 1/2" delivery port & bayonet connector 4.0 p.s.i. crack pressure | 801932 | Low |
| ATR-3™ Valve | With 1/2" delivery port & bayonet conn 5.5 p.s.i. crack pressure w/brkt | 801933 | Low |
| ATR-3™ Valve | With 1/2" delivery port & bayonet conn 4.0 p.s.i. crack pressure w/brkt | 801934 | Low |

*Recommended Stock Levels: High 10+, Medium 5-9, Low 1-4.

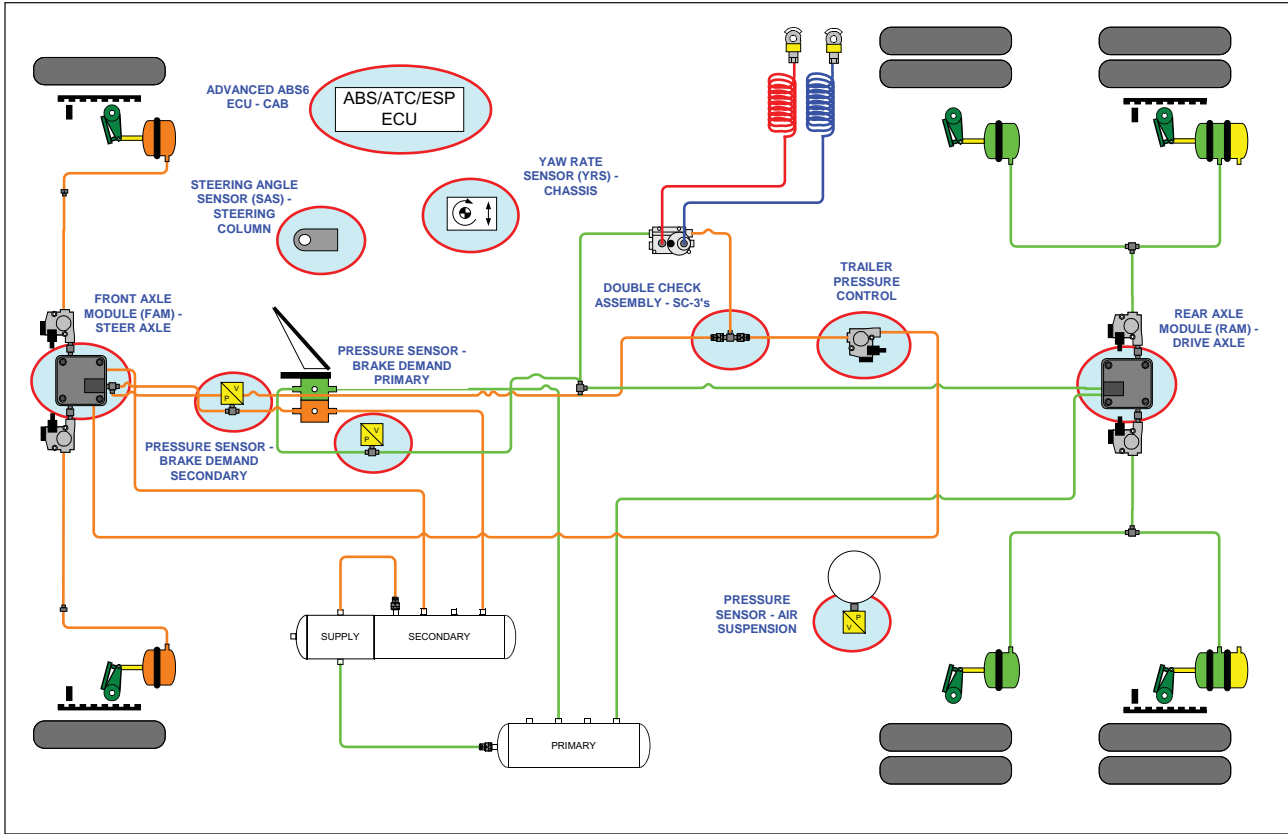
| ABS Assembly | Description | Part No. | Recommended Stock Level* |
|--|--|----------|--------------------------|
| ABS Assembly | | | |
| TABS-6 Standard | Standard, 4 port, 2S/1M Axle Only | 801855 | High |
| TABS-6 Standard | Standard, 4 port, 2S/1M Dolly-Axle Only | 801990 | Med |
| TABS-6 Premium | Premium, 4 port, 2S/1M Dolly-Axle, 2S/2M Axle, 4S/2M Side, 4S/3M Side/Axle | 801856 | Low |
| TABS-6 Premium | Premium, 4 port, 2S/1M Axle, 2S/2M Axle, 4S/2M Axle | 801991 | Low |
| ECU Pigtail | | | |
| TABS-6 Standard | Standard, 2S/1M - Pwr (5-pin only) 60 in. | 801996 | Med |
| TABS-6 Premium | Premium, 2S/1M - Pwr, 180 in. (diag. 9 in.) | 802002 | Med |
| Power Harness | | | |
| TABS-6 Harness | 5-pin Packard, 120 in., Warning Lamp (10 in.) Non-Terminated | 802016 | Med |
| Wheel Speed Sensors Lead Extensions | | | |
| WS-24™ Sensor Lead | DIN, 120 in. | 802026 | Med |
| WS-24™ Sensor Lead | DIN, 40 in. | 802024 | Low |
| WS-24™ Sensor Lead | DIN, 60 in. | 802052 | Low |
| WS-24™ Sensor Lead | DIN, 80 in. | 802025 | Low |
| WS-24™ Sensor Lead | DIN, 160 in. | 802027 | Low |
| WS-24™ Sensor Lead | DIN, 260 in. | 802946 | Low |
| Wheel Speed Sensors | | | |
| WS-24™ Speed Sensor | DIN, 90 degree, 16 in. (PUR) | 801544 | High |
| WS-24™ Speed Sensor | Deutsch, 90 degree, 60 in. | 801546 | Med |
| WS-24™ Speed Sensor | Deutsch, 90 degree, 103 in. | 801545 | Med |
| WS-24™ Speed Sensor | Deutsch, 90 degree, 137 in. | 801547 | Med |
| WS-24™ Speed Sensor | Deutsch, 90 degree, 12 in. | 801548 | Med |
| WS-24™ Speed Sensor | Deutsch, Straight, 103 in. | 801563 | Med |
| WS-24™ Clamp Sleeve | Wheel speed sensor clamp sleeve | 801534 | High |
| Diagnostic | | | |
| TRDU | Trailer remote diagnostic unit for Bendix trailer ABS systems | 802162 | Med |
| TRDU | 7-pin adapter | 802165 | Med |
| TRDU | 7-pin TRDU kit (TRDU unit and adapter) | 5017434 | Med |
| A-18 Replacement Kits* | | | |
| TABS-6 Kit for A-18 | 2S/1M Axle Control, 60 in. ECU pigtail | K019708 | Med |
| TABS-6 Kit for A-18 | 2S/1M Axle Control, 234 in. ECU pigtail | K019711 | Med |
| MC-12 Replacement Kits** | | | |
| TABS-6 Kit for MC-12 | 2S/1M Axle Control, 60 in. ECU pigtail, 5-pin | 802893 | Low |
| TABS-6 Kit for MC-12 | 2S/1M Axle Control, 234 in. ECU pigtail, 5-pin | 802902 | Low |
| MC-30 Replacements | | | |
| MC-30 | 2S/1M, 4S/2M-Side Reservoir Mount | 800737 | Med |
| MC-30 | 2S/1M, 4S/2M-Side Bracket Mount | 800820 | Med |
| EC-30T Replacements | | | |
| EC-30T | 2S/1M, 4S/2M-Side – ECU Only | 801268 | Low |

*Note: TAB-6 is the replacement product for all A-18 trailer ABS applications. See PNU 109-000A for additional A-18 replacement options.

**Note: TAB-6 is the replacement product for all MC-12 trailer ABS applications. See PNU 110-000A for additional MC-12 replacement options.

***Recommended Stock Levels: High 10+, Medium 5-9, Low 1-4.**

Example 1: ABS with ESP (Electronic Stability Program)



Example 2: 2S/1M Trailer ABS

