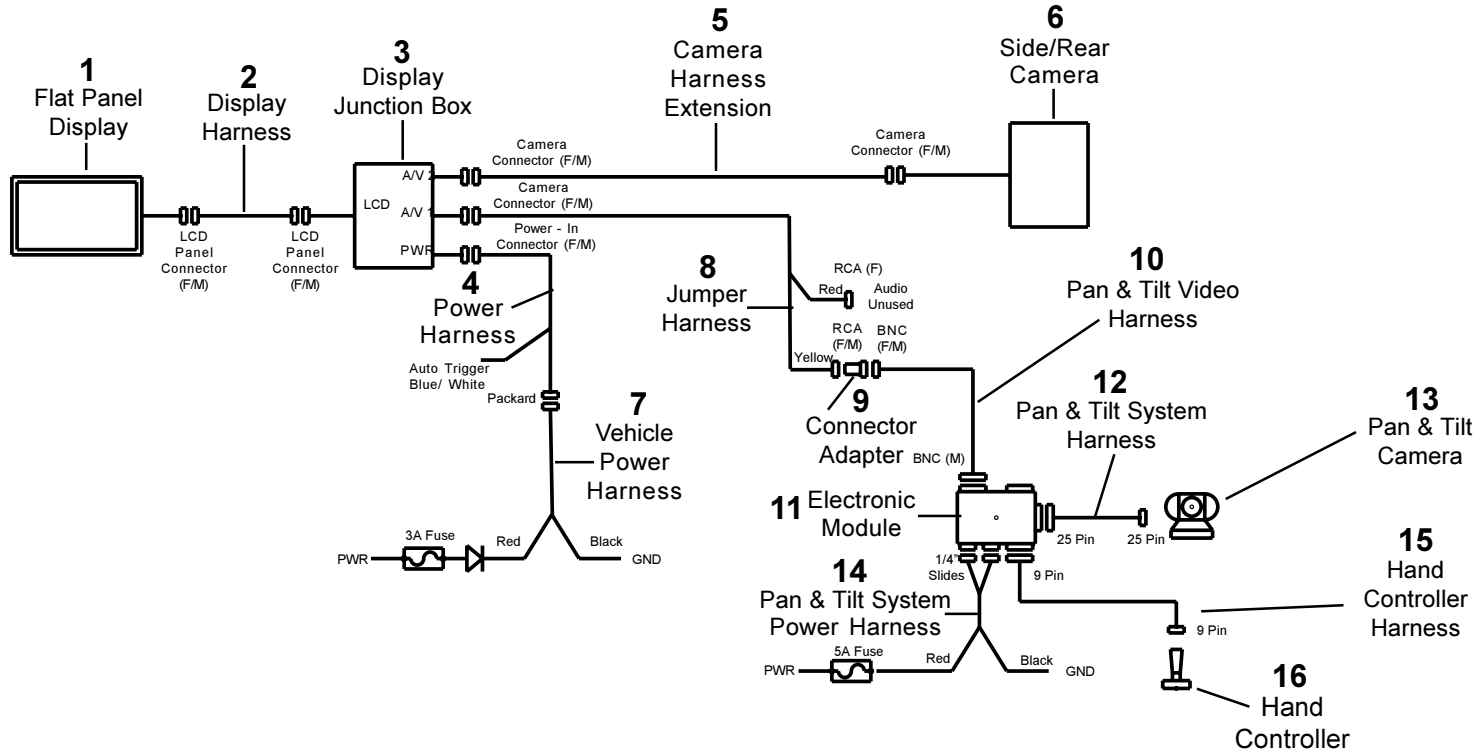


**Kit Service Piece No.
801498**



<p>1</p>  <p>Flat Panel Display (5011944)</p>	<p>2</p>  <p>Display Harness (5011945)</p>	<p>3</p>  <p>Display Junction Box (5011943)</p>	<p>4</p>  <p>Power Harness (5011942)</p>	<p>5</p>  <p>Camera Harness Extension (5011953)</p>	<p>6</p>  <p>Side/Rear Camera (5011948)</p>	<p>7</p>  <p>Vehicle Power Harness (5012050)</p>	<p>8</p>  <p>Jumper Harness (5012039)</p>
<p>9</p>  <p>Connector Adapter (5011558)</p>	<p>10</p>  <p>Pan & Tilt Video Harness (3264508)</p>	<p>11</p>  <p>ProtectIR Electronic Module (3264502)</p>	<p>12</p>  <p>Pan & Tilt System Harness (3264506)</p>	<p>13</p>  <p>Pan & Tilt IR Camera (3264501)</p>	<p>14</p>  <p>Pan & Tilt System Power Harness (3264507)</p>	<p>15</p>  <p>Hand Controller Harness (3264509)</p>	<p>16</p>  <p>Hand Controller (3264504)</p>

Protect IR, Video Camera, and Flat Panel Display Schematic

SE1021

