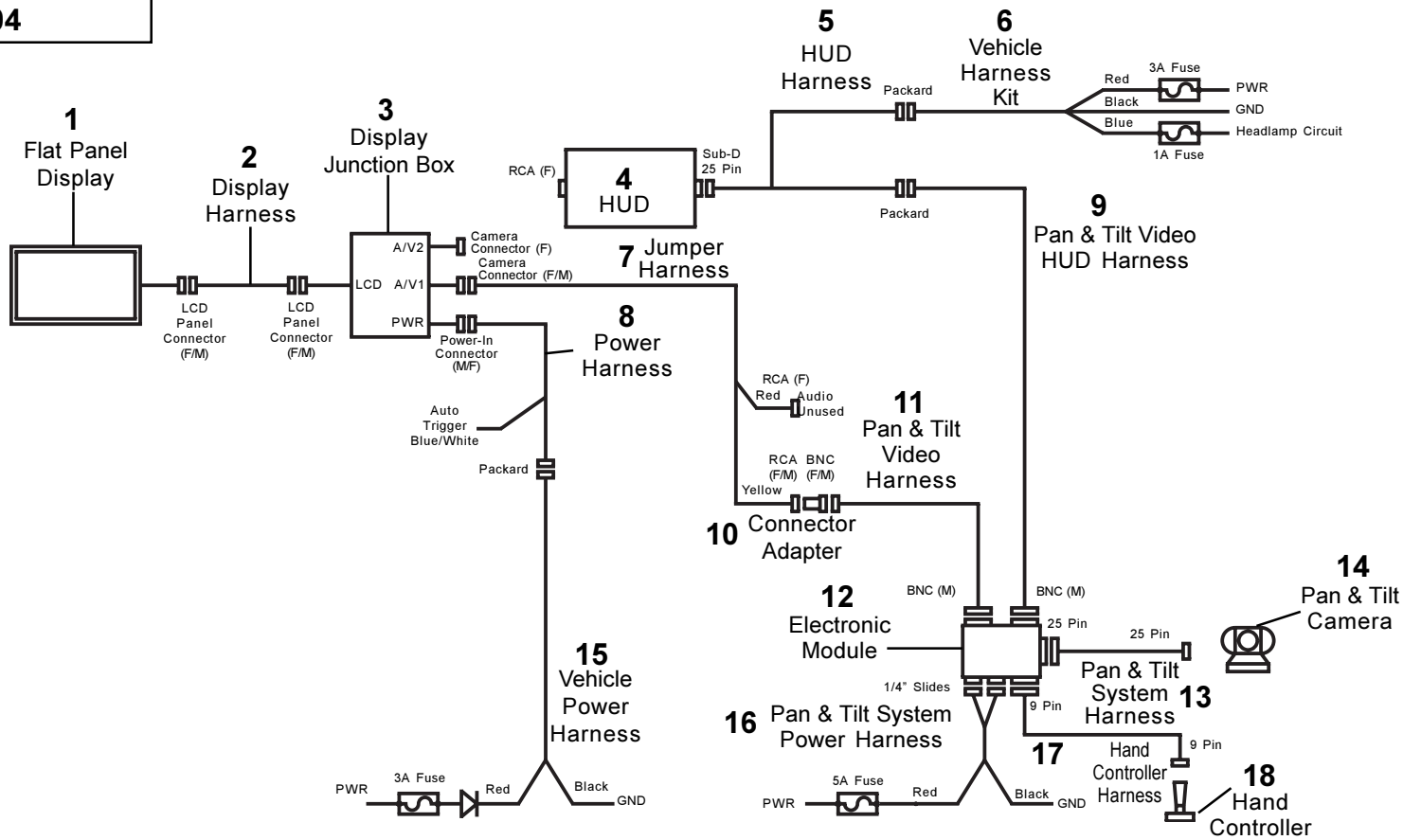
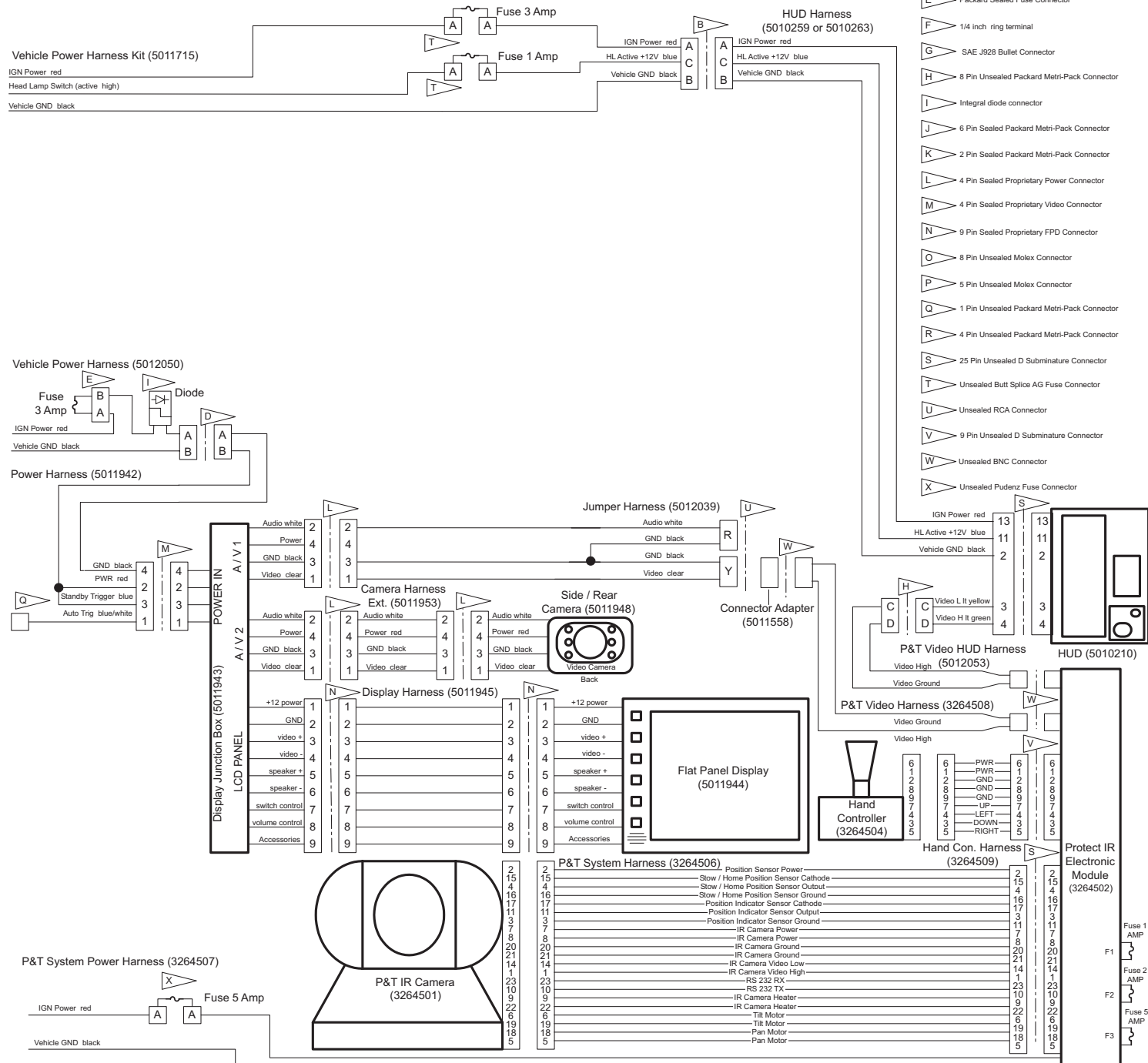


**Kit Service Piece No.
801504**



<p>1</p>  <p>Flat Panel Display (5011944)</p>	<p>2</p>  <p>Display Harness (5011945)</p>	<p>3</p>  <p>Display Junction Box (5011943)</p>	<p>4</p>  <p>HUD Display (5010210)</p>	<p>5</p>  <p>HUD Harness (5010259 or 5010263)</p>	<p>6</p>  <p>Vehicle Power Harness Kit (5011715)</p>	<p>7</p>  <p>Jumper Harness (5012039)</p>	<p>8</p>  <p>Power Harness (5011942)</p>	<p>9</p>  <p>Pan & Tilt Video HUD Harness (5012053)</p>
<p>10</p>  <p>Connector Adapter (5011558)</p>	<p>11</p>  <p>Pan & Tilt Video Harness (3264508)</p>	<p>12</p>  <p>ProtectIR Electronic Module (3264502)</p>	<p>13</p>  <p>Pan & Tilt System Harness (3264506)</p>	<p>14</p>  <p>Pan & Tilt IR Camera (3264501)</p>	<p>15</p>  <p>Vehicle Power Harness (5012050)</p>	<p>16</p>  <p>Pan & Tilt System Power Harness (3264507)</p>	<p>17</p>  <p>Hand Controller Harness (3264509)</p>	<p>18</p>  <p>Hand Controller (3264504)</p>

Protect IR, Flat Panel Display and HUD Schematic SE1033



- A 12 Pin Sealed Deutsch Connector
- B 3 Pin Unsealed Packard Metri-Pack Connector
- C 4 Pin Unsealed Packard Metri-Pack Connector
- D 2 Pin Unsealed Packard Metri-Pack Connector
- E Packard Sealed Fuse Connector
- F 1/4 inch ring terminal
- G SAE J928 Bullet Connector
- H 8 Pin Unsealed Packard Metri-Pack Connector
- I Integral diode connector
- J 6 Pin Sealed Packard Metri-Pack Connector
- K 2 Pin Sealed Packard Metri-Pack Connector
- L 4 Pin Sealed Proprietary Power Connector
- M 4 Pin Sealed Proprietary Video Connector
- N 9 Pin Sealed Proprietary FPD Connector
- O 8 Pin Unsealed Molex Connector
- P 5 Pin Unsealed Molex Connector
- Q 1 Pin Unsealed Packard Metri-Pack Connector
- R 4 Pin Unsealed Packard Metri-Pack Connector
- S 25 Pin Unsealed D Subminiature Connector
- T Unsealed Butt Splice AG Fuse Connector
- U Unsealed RCA Connector
- V 9 Pin Unsealed D Subminiature Connector
- W Unsealed BNC Connector
- X Unsealed Pudenx Fuse Connector