

# Technical Bulletin

Bulletin No.: TCH-001-022

Effective Date: 11/17/81

Page: 1 of 3

## Subject: **New Cylinder Head Design Tu-Flo 700 Compressor**

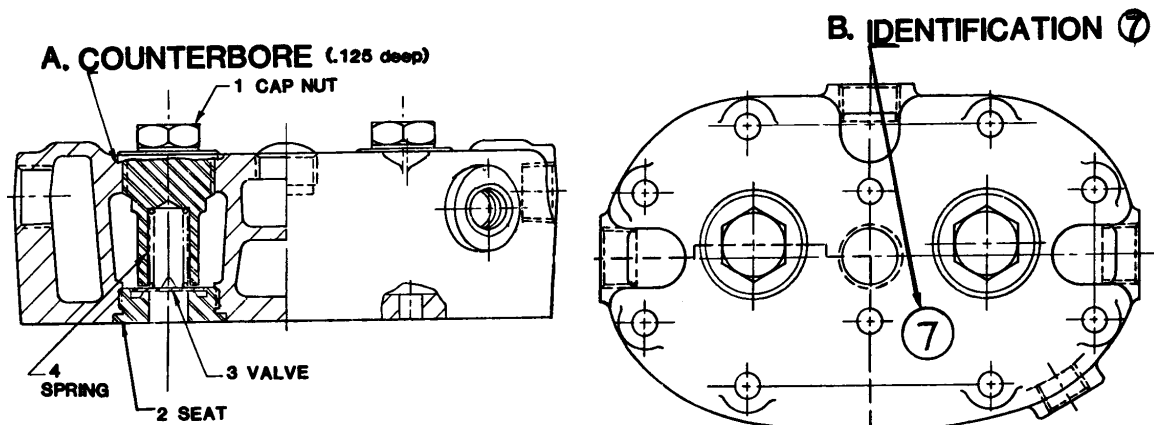
Approximately December 1, 1981 changes will be made in the discharge valve area of all new Tu-Flo 700 Cylinder Heads, which will result in improved compressor performance. Remanufactured Tu-Flo 700 Compressors will be changed on a running basis in the near future.

It is extremely important to identify the cylinder head as new or old design to insure that correct replacement parts are furnished.

### I. NEW STYLE CYLINDER HEAD

The new style cylinder head is identified by:

- A. A counterbore (approx. 3/16" deep) of the cylinder head where the cap nut is installed.
- B. A figure "7" with a circle around the figure, stamped or cast into the head surface.



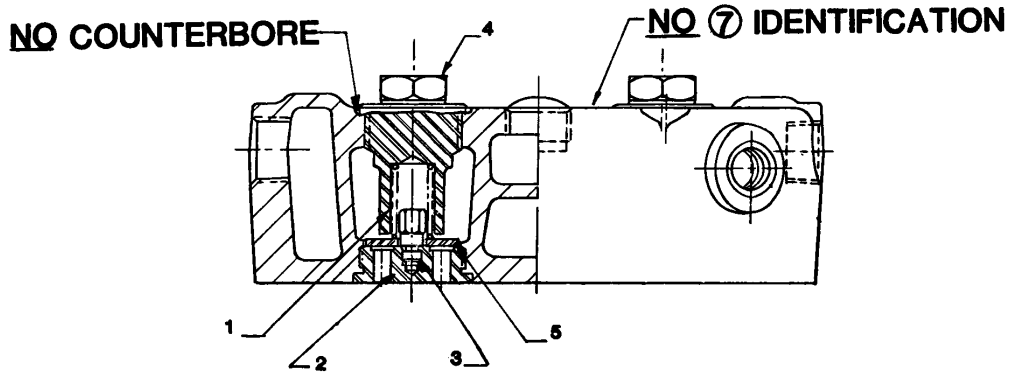
**SERVICE REPLACEMENT PARTS  
(Replace As Required)**

KEY NO.	PC.NO.	DESCRIPTION
1	236215	Cap nut
2	294751 or 237291	Seat
*3	230935	Valve
*4	292375	Spring

\*Items 3 and 4 are included in T/F 700 Maintenance Kit Pc. No. 229417 (for T/F 700 compressors new style cylinder head only.)

**II. OLD STYLE CYLINDER HEAD**

The old style cylinder head can be identified by a shallower 3/32" counterbore and it has no ⑦ identification.

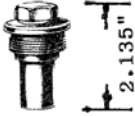
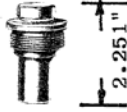
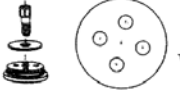




**When service replacement of any of the following parts is required, all of the following parts must be removed and should not be reused in the old style cylinder head.**

<u>KEY NO.</u>	<u>DESCRIPTION</u>
1	Spring
2	Seat
3	Plug
4	Cap Nut
5	Discharge Valve

When replacing parts, order Pc. No. 102727 Discharge Valve Kit or Pc. No. 289998 Tu-Flo 700 Maintenance Kit.

TU-FLO 700 DISCHARGE VALVE  
COMPATIBILITY

PART	OLD STYLE HEAD	NEW STYLE HEAD ⑦
 <p style="text-align: right;">236215 CAP NUT</p> <p style="text-align: right;">2.135"</p>	YES ONLY WITH 289609 DISCHARGE VALVE ASSEMBLY (NOW OBSOLETE)	YES ONLY WITH 237291 OR 294751 SEAT, 230935 DISCHARGE VALVE AND 292375 SPRING
 <p style="text-align: right;">294750 CAP NUT</p> <p style="text-align: right;">2.251"</p>	YES ONLY WITH 237291 OR 294751 SEAT, 230935 DISCHARGE VALVE AND 292375 SPRING	NO USE 236215 CAP NUT WITH 237291 OR 294751 SEAT, 230935 DISCHARGE VALVE AND 292375 SPRING
*292375 OR 210468 SPRING (292375 OBSOLETES AND REPLACES 210468)	YES	YES
 <p style="text-align: right;">289609 DISCHARGE VALVE ASSY COMPLETE</p> <p>(OBSOLETE, NO LONGER AVAILABLE)</p>	YES ONLY WITH CAP NUT 236215	NO USE 236215 CAP NUT, 237291 OR 294751 SEAT, 230935 DISCHARGE VALVE AND 292375 SPRING
 <p style="text-align: right;">294751 or 237291 DISCHARGE VALVE SEAT</p>	YES ONLY WITH 294750 CAP NUT	YES ONLY WITH 236215 CAP NUT AND 230935 DISCHARGE VALVE
 <p style="text-align: right;">230935 DISCHARGE VALVE</p>	YES ONLY WITH 294750 CAP NUT AND 237291 OR 294751 SEAT	YES ONLY WITH 236215 CAP NUT AND 237291 OR 294751 SEAT

\*These parts are contained in kit 102727 which is to be used to service old style (non ⑦ heads).

KIT 102727 CONTAINS:

2	230935	Discharge Valves
2	292375	Springs
2	294750	Cap Nut
2	294751	Seat

**CAUTION!**

It is imperative that discharge valve parts from the new and old design cylinder heads not be intermixed. The intermixing of parts will severely impair the performance of the compressor.