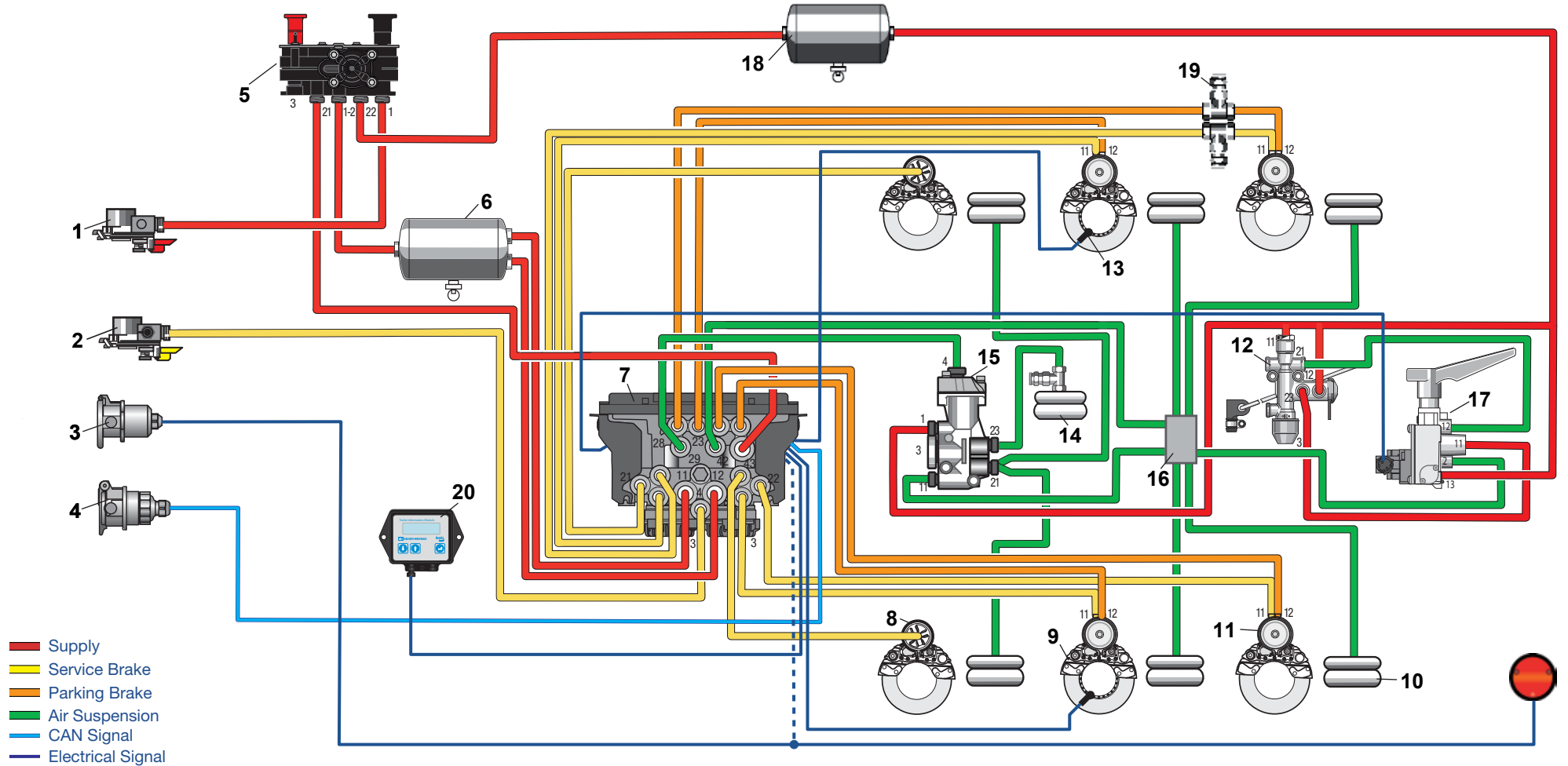


# Semi-trailer Air Brake and Suspension System with TEBS G2.2 Premium (2S/2M brake system and air suspension system with air controlled lift axle)



Y258582 (EN - Rev. 001) Page 1  
December 2016



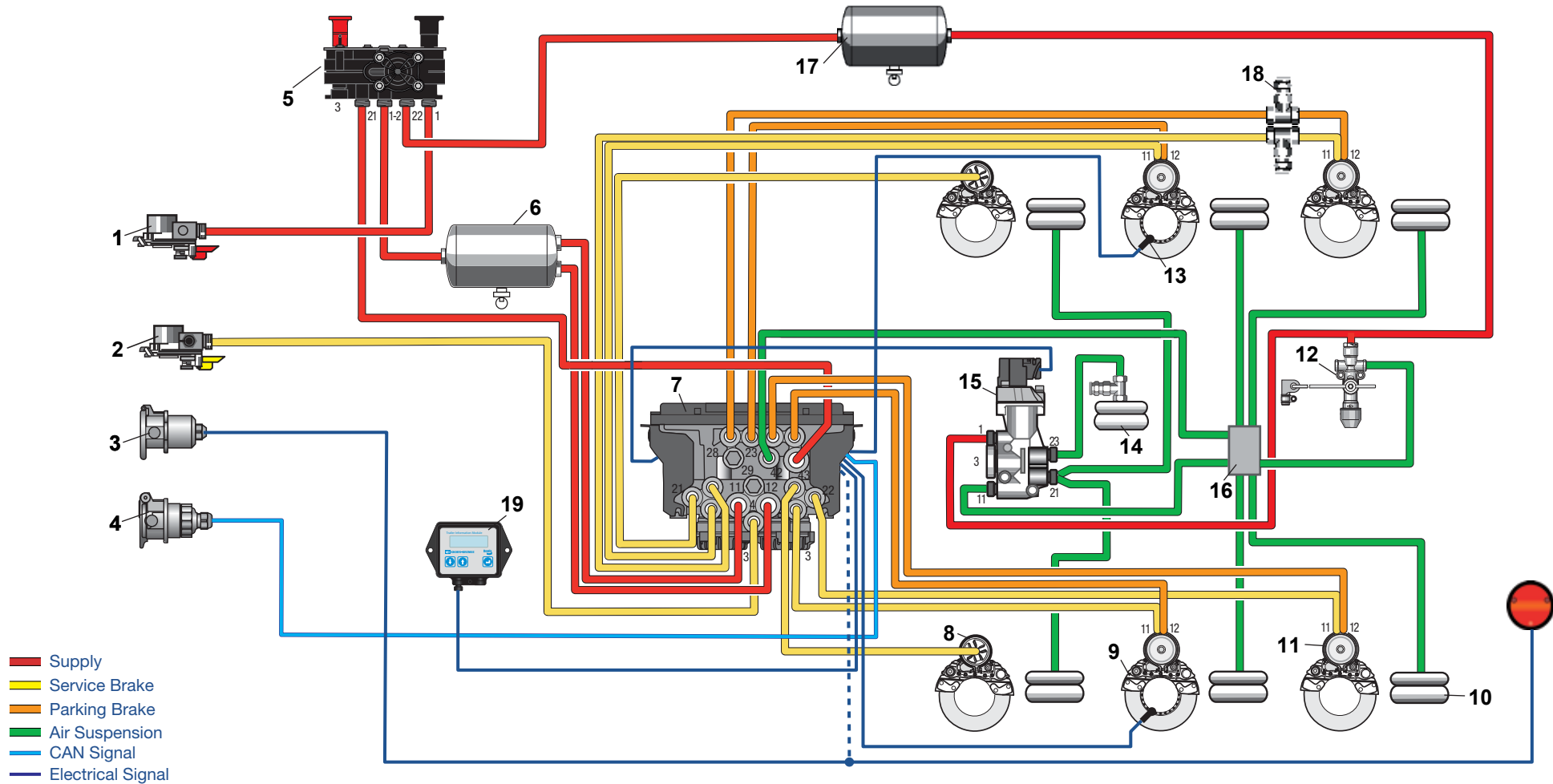
- Supply
- Service Brake
- Parking Brake
- Air Suspension
- CAN Signal
- Electrical Signal

1 Coupling Head "Supply" with Filter	6 Air Reservoir (Service and Parking)	11 Spring Brake	16 Manifold Block
2 Coupling Head "Control" with Filter and Test Connector	7 TEBS G2.2 Premium Brake Module	12 Levelling Valve with Height Limitation	17 Raise/Lower Valve with Speed Pulse reset to ride height
3 ISO 12098 Connector	8 Brake Chamber	13 Sensing Ring and Wheel Speed Sensor	18 Air Reservoir (Air Suspension)
4 ISO 7638 Connector (EBS)	9 Air Disc Brake	14 Lift Bellows	19 Test Connector
5 Park/Shunt Valve with integrated Charging Valve	10 Air Suspension Bellows	15 Lift Axle Valve (pneumatically controlled)	20 Trailer Information Module (TIM G2)

# Semi-trailer Air Brake and Suspension System with TEBS G2.2 Premium (2S/2M brake system and air suspension system with electrically controlled lift axle)



Y258582 (EN - Rev. 001) Page 2  
December 2016



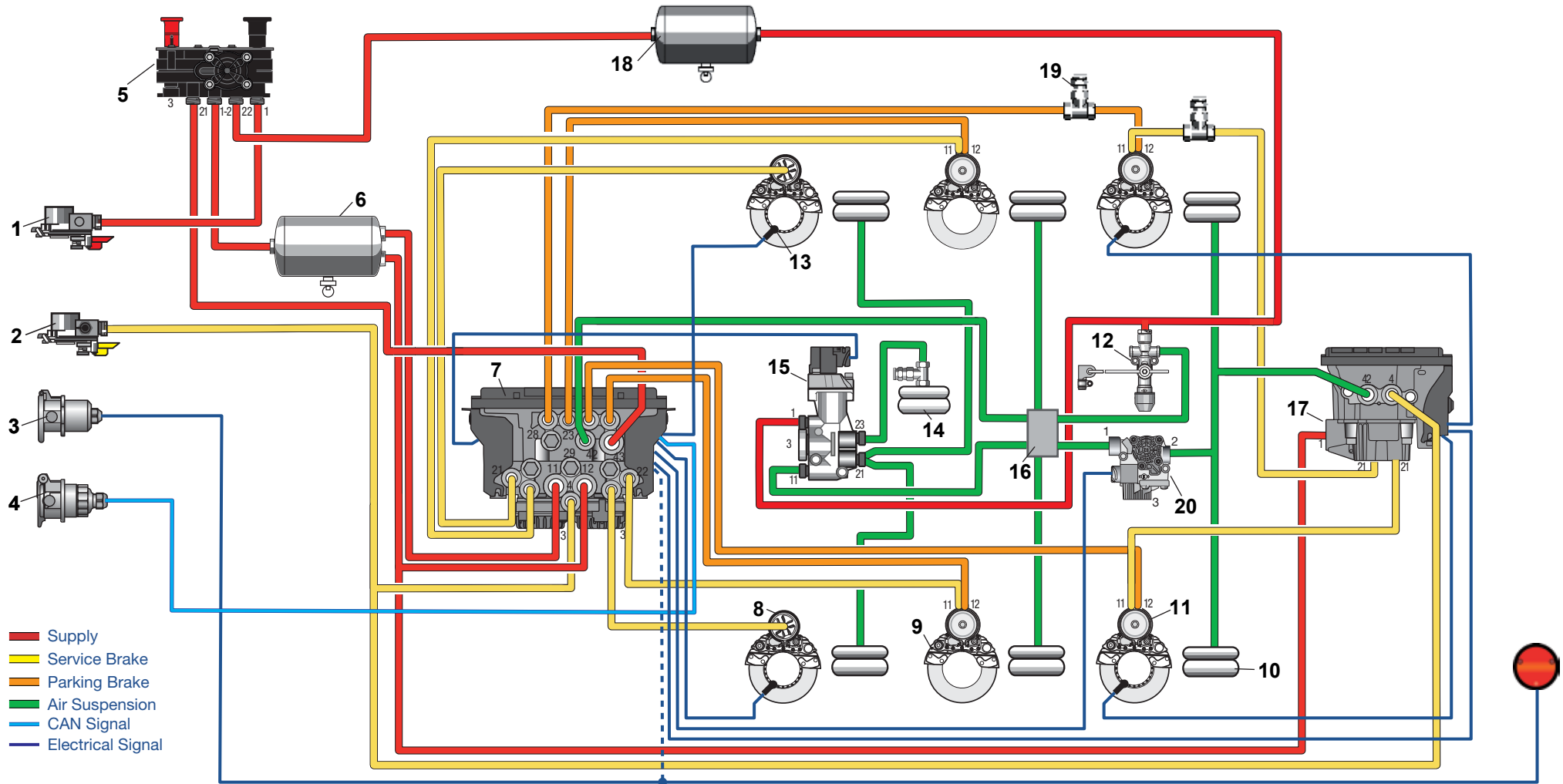
- |  |                                       |  |  |
|--|---------------------------------------|--|--|
| 1 Coupling Head "Supply" with Filter                     | 6 Air Reservoir (Service and Parking) | 11 Spring Brake                                | 16 Manifold Block                      |
| 2 Coupling Head "Control" with Filter and Test Connector | 7 TEBS G2.2 Premium Brake Module      | 12 Levelling Valve (without height limitation) | 17 Air Reservoir (Air Suspension)      |
| 3 ISO 12098 Connector                                    | 8 Brake Chamber                       | 13 Sensing Ring and Wheel Speed Sensor         | 18 Test Connector                      |
| 4 ISO 7638 Connector (EBS)                               | 9 Air Disc Brake                      | 14 Lift Bellows                                | 19 Trailer Information Module (TIM G2) |
| 5 Park/Shunt Valve with integrated Charging Valve        | 10 Air Suspension Bellows             | 15 Lift Axle Valve (electrically controlled)   |  |

# Semi-trailer Air Brake and Suspension System with TEBS G2.2 Premium (4S/3M brake system and air suspension system with iCargo and electrically controlled lift axle)

**KNORR-BREMSE**



Y258582 (EN - Rev. 001) Page 3  
December 2016



- Supply
- Service Brake
- Parking Brake
- Air Suspension
- CAN Signal
- Electrical Signal

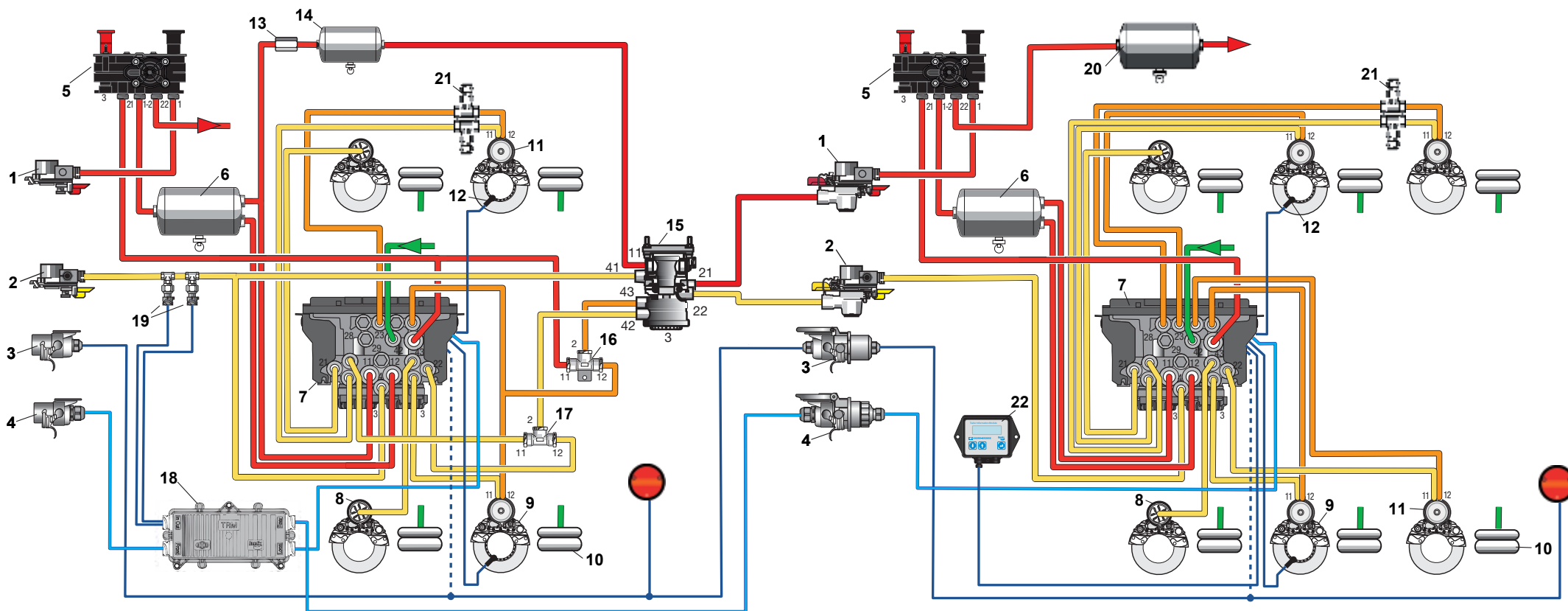
- |  |                                       |  |  |
|--|---------------------------------------|--|--|
| 1 Coupling Head "Supply" with Filter                     | 6 Air Reservoir (Service and Parking) | 11 Spring Brake                                | 16 Manifold Block                                      |
| 2 Coupling Head "Control" with Filter and Test Connector | 7 TEBS G2.2 Premium Brake Module      | 12 Levelling Valve (without height limitation) | 17 Trailer Electro-Pneumatic Module - Premium (TEPM-P) |
| 3 ISO 12098 Connector                                    | 8 Brake Chamber                       | 13 Sensing Ring and Wheel Speed Sensor         | 18 Air Reservoir (Air Suspension)                      |
| 4 ISO 7638 Connector (EBS)                               | 9 Air Disc Brake                      | 14 Lift Bellows                                | 19 Test Connector                                      |
| 5 Park/Shunt Valve with integrated Charging Valve        | 10 Air Suspension Bellows             | 15 Lift Axle Valve (electrically controlled)   | 20 Pressure Control Valve (PCV)                        |

# Dolly plus Semi-trailer (EuroCombi) Air Brake System with TEBS G2.2 Premium (2S/2M brake system on 2-axle dolly and 2S/2M brake system on 3-axle semi-trailer)

**KNORR-BREMSE**



Y258582 (EN - Rev. 001) Page 4  
December 2016



— Supply      — Parking Brake      — CAN Signal  
— Service Brake      — Air Suspension      — Electrical Signal

- |  |                                       |  |  |
|--|---------------------------------------|--|--|
| 1 Coupling Head "Supply" with Filter                     | 6 Air Reservoir (Service and Parking) | 11 Spring Brake                        | 17 Double Check Valve                  |
| 2 Coupling Head "Control" with Filter and Test Connector | 7 TEBS G2.2 Premium Brake Module      | 12 Sensing Ring and Wheel Speed Sensor | 18 Trailer Roadtrain Module (TRM)      |
| 3 ISO 12098 Connector                                    | 8 Brake Chamber                       | 13 Single Check Valve                  | 19 Pressure Transducer                 |
| 4 ISO 7638 Connector (EBS)                               | 9 Air Disc Brake                      | 14 Air Reservoir (Trailer)             | 20 Air Reservoir (Air Suspension)      |
| 5 Park/Shunt Valve with integrated Charging Valve        | 10 Air Suspension Bellows             | 15 Trailer Control Valve               | 21 Test Connector                      |
|  |                                       | 16 Select Low (SL) Valve               | 22 Trailer Information Module (TIM G2) |