



Installation Instructions

Side / Rear Vision
Installation Kit
Piece No. 801495

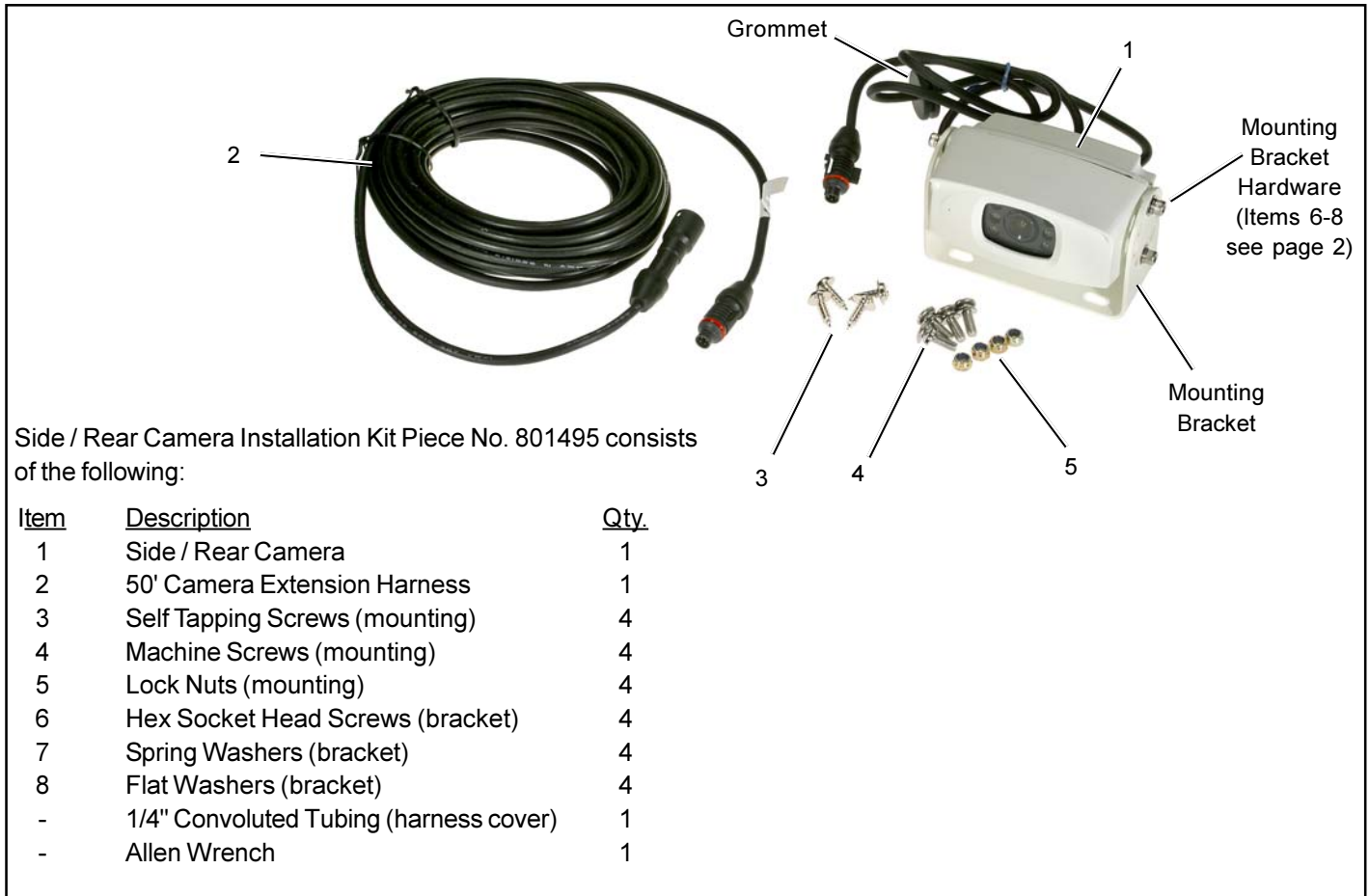


Figure 1 Side / Rear Vision Camera Kit

DESCRIPTION

This kit contains all of the video components necessary to install the side / rear vision camera on a vehicle. The side / rear camera when used with a mating display can reduce blind spots when backing or changing lanes. The camera incorporates an embedded microphone that supplies audio to the flat panel display speaker which allows communication from outside the vehicle to the operator.

IMPORTANT! PLEASE READ AND FOLLOW THESE INSTRUCTIONS TO AVOID PERSONAL INJURY OR DEATH:

When working on or around a vehicle, the following general precautions should be observed **at all times**.

1. Park the vehicle on a level surface, apply the parking brakes, and always block the wheels.
2. Stop the engine when working around the vehicle.
3. If the vehicle is equipped with air brakes, make certain to drain the air pressure from all reservoirs be-

- fore beginning ANY work on the vehicle.
4. Following the vehicle manufacturer's recommended procedures, deactivate the electrical system in manner that removes all electrical power from the vehicle.
5. When working in the engine compartment the engine should be shut off. Where circumstances require that the engine be in operation, **EXTREME CAUTION** should be used to prevent personal injury resulting from contact with moving, rotating, leaking, heated, or electrically charged components.
6. Never connect or disconnect a hose or line containing pressure; it may whip. Never remove a component or plug unless you are certain all system pressure has been depleted.
7. Never exceed recommended pressures and always wear safety glasses.
8. Do not attempt to install, remove, disassemble or assemble a component until you have read and thoroughly understand the recommended procedures. Use only the proper tools and observe all

precautions pertaining to use of those tools.

9. Use only genuine Bendix replacement parts, components, and kits. Replacement hardware, tubing, hose, fittings, etc. should be of equivalent size, type, and strength as original equipment and be designed specifically for such applications and systems.
10. Components with stripped threads or damaged parts should be replaced rather than repaired. Repairs requiring machining or welding should not be attempted unless specifically approved and stated by the vehicle or component manufacturer.
11. Prior to returning the vehicle to service, make certain all components and systems are restored to their proper operating condition.

INSTALLATION

Location of the side / rear camera is at the discretion of the installer. The side / rear camera can be mounted anywhere on the vehicle and should be located where it is accessible for occasional cleaning of the window.

1. Using the mounting hardware(3-5) included in the kit, install the camera bracket to the desired location on the vehicle. Machine screws and nuts or self tapping screws are included with the camera for ease of installation. Apply a sealant to the mounting holes. The mounting bracket is used for rear mount installations.
2. Attach the camera to the mounting bracket using the flat washers(8), spring washers(7) and hex socket head screws(6). The mounting bracket contains eight slots for ease of positioning the camera. Use the Allen wrench included in this kit for securing the socket head screws(6).
3. Drill a .77 inch diameter hole into the vehicle body for the camera harness to pass through. Insert the harness through the hole and secure the grommet into position around the drilled hole.
4. Install the 1/4" convoluted tubing (harness cover) over the camera extension harness(2) to reduce wire chafing.

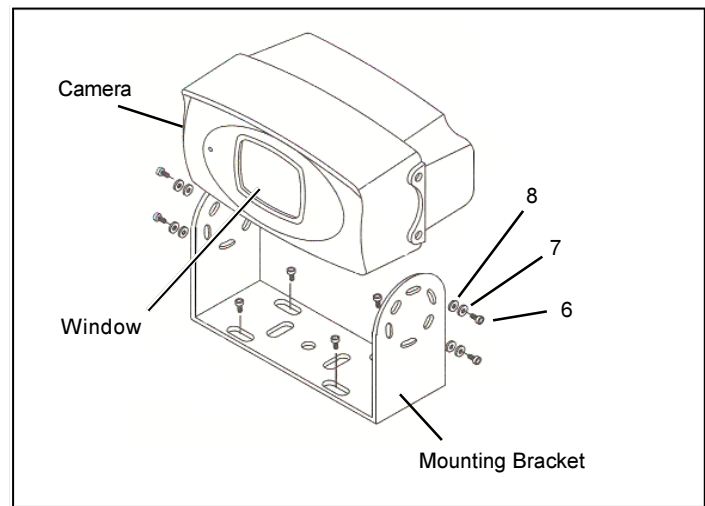


Figure 2 Side / Rear Vision Camera Bracket Installation

5. Connect the camera extension harness(2) to the harness pigtail of the camera. Make sure the connector latch snaps into place.
6. Route the camera extension harness(2) and connect it to the display junction box or camera switcher. Use care when routing the harness to ensure the harness is routed away from moving parts, hot spots and sharp edges.

TESTING THE CAMERA

1. Turn the ignition switch to the ON position and activate the monitor. The camera selected as the default on the monitor should appear in the monitor. If the camera being installed is not the default camera press the A/B button to switch the default and the image should appear.
2. If a camera switcher is used, activating the appropriate trigger should cause the camera to function as desired. If more than one camera is connected and the wrong camera is activated, check the connection at the display junction box or camera switcher to ensure proper connection.