

# Technical Bulletin

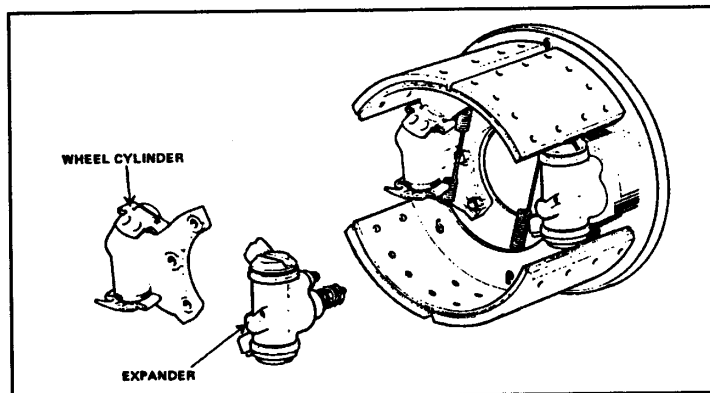
Bulletin No.: PRO-20-02    Effective Date: 2/1/90    Page: 1 of 3

## Subject: Lucas Girling A2LS Brake Expander & Kit Changes

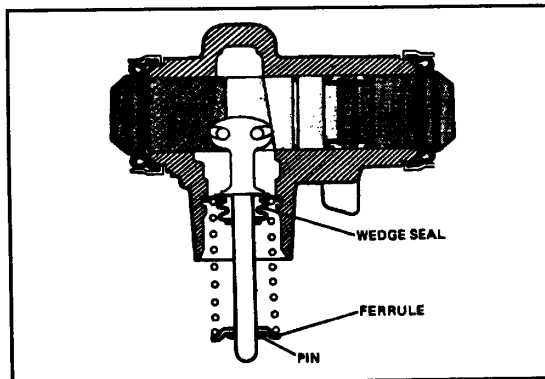
The expander unit in the Lucas Girling A2LS hydraulic drum brake was changed in model year 1986. Ford 600, 700, 800, 900, 7000 and 8000 series truck models are affected.

Only the expander unit was changed for model years 1986 to present. The wheel cylinder unit remains unchanged from model year 1984 to present. Some maintenance kits for the expander assemblies are affected by the change.

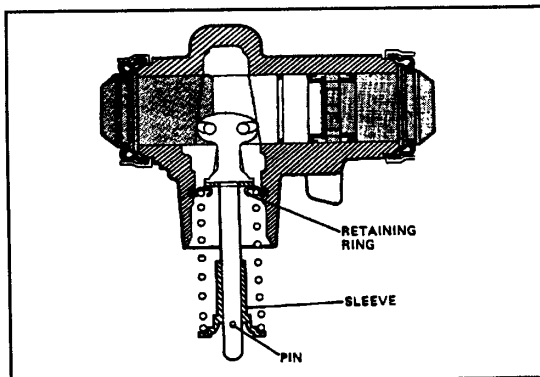
The information presented here should be noted in catalog 20. Information regarding operation and maintenance of the Lucas Girling A2LS drum brake is presented in Bendix Service Data Sheet SD-20-6608.



Lucas Girling A2LS Brake Assembly



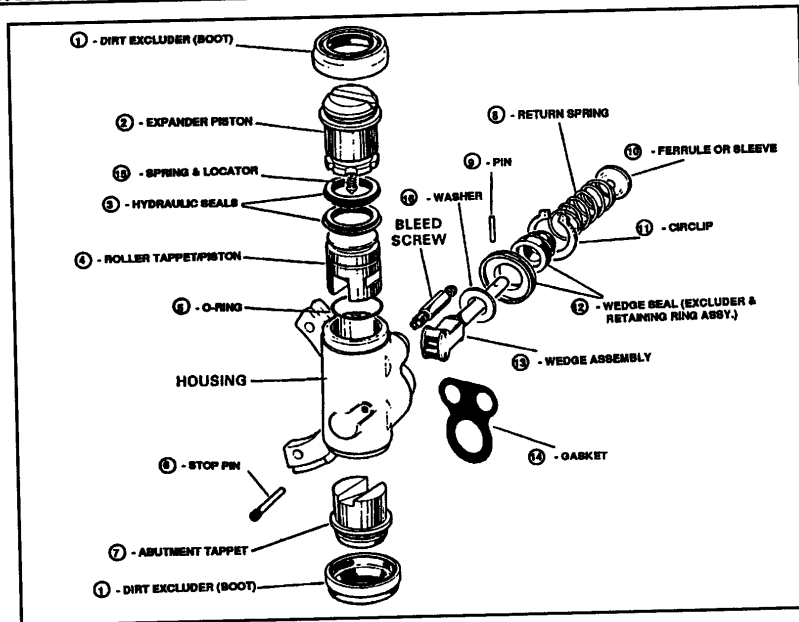
Expander Assy. Model Yr. 1984-1985



Expander Assy. Model Yr. 1986-Present

Expander Assy's. & Kits	Model Years 1984-1985	Model Years 1986-Present
1.75" Bore L.H. Expander Assy.	33894	33954
Expander Kit	66477	66477
Expander Service Kit	66473	66368
Expander Wedge Kit	66474	107565
1.75" Bore R.H. Expander Assy.	33895	33953
Expander Kit	66478	66478
Expander Service Kit	66473	66368
Expander Wedge Kit	66474	107565
1.625" Bore L.H. Expander Assy.	33896	33956
Expander Kit	66475	66475
Expander Service Kit	66472	66369
Expander Wedge Kit	66474	107565
1.625" Bore R.H. Expander Assy.	33897	33955
Expander Kit	66476	66476
Expander Service Kit	66472	66369
Expander Wedge Kit	66474	107565

Dust Boot Kit 66469 Fits All



Typical A2LS Expander Assembly

Expander Kits Contain:

Key No.	Description	Qty.
2	Input Tappet/Piston	1
4	L.H. Roller Tappet/Piston	1
6	Stop Pin & Screw	1
7	L.H. Abutment Tappet	1
15	Spring & Locator	1

Expander Service Kits Contain:

Key No.	Description	Qty.
1	Dust Boot	2
3	Hydraulic Seals	2
5	Tappet Seal	1
9	Pin	1
11	Circlip	1
12	Wedge Seal & Retaining Ring Assy.	1
14	Gasket	1
16	Washer	1

Expander Wedge Kits Contain:

Key No.	Description	Qty.
8	Spring	1
9	Pin	1
10	Ferrule or Sleeve	1
11	Circlip	1
13	Wedge Assy.	1
14	Gasket	1
16	Washer	1

Dust Boot Kit Part No. 6469 Consists of:

Key No.	Description	Qty.
1	Dust Boot	2

