

Torque Plate

ABS Sleeve
(shown without sleeve)



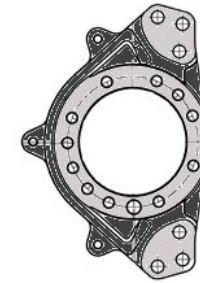
Axial Joint
Configuration

Bendix® Torque Plate Pt. #802295

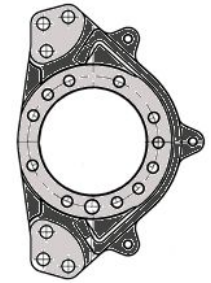


Vertical Joint
Configuration

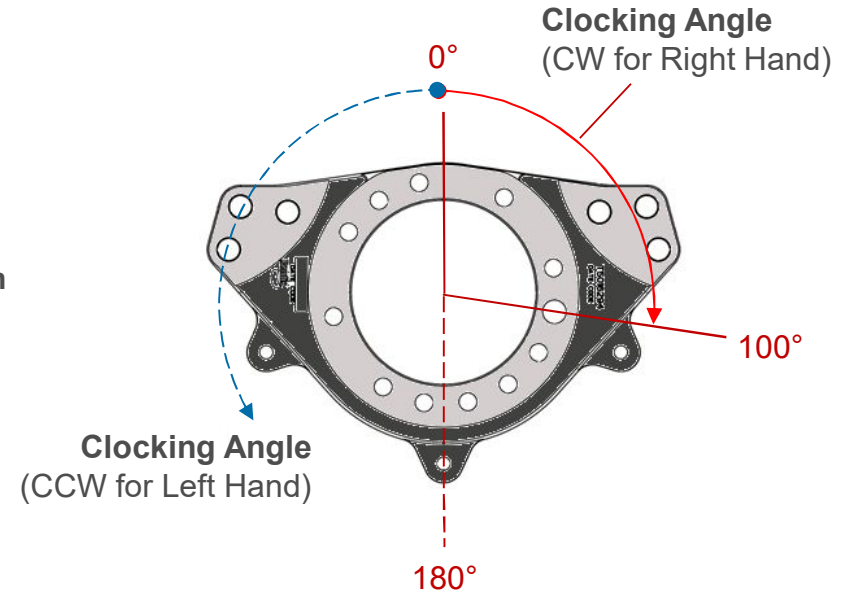
Bendix® Torque Plate Pt. #K024031



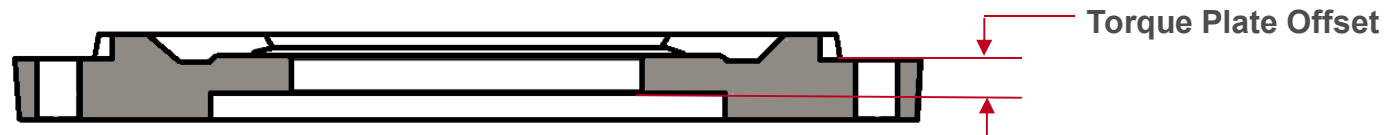
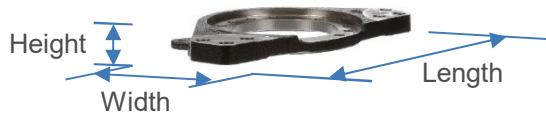
Left Hand
(Driver Side)



Right Hand
(Passenger Side)



Product Dimensions



Bendix® Torque Plate Pt. #802295