

Bendix® Air Disc Brake Chamber Service Information

As fleets continue to experience the advantages of Bendix® Air Disc Brakes and the number of vehicles with this technology grows, there is an increasing need to have information on the brake chambers that are used on this equipment.

To make it easier for you to service your vehicle(s), below is some key information on service part numbers, maintenance kits, and a cross reference guide.

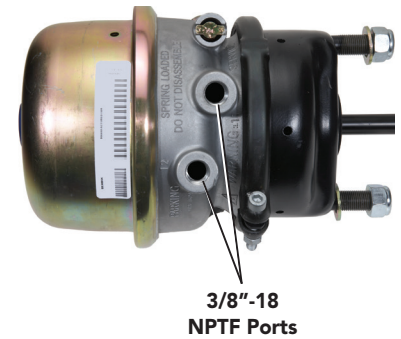
A. Universal Replacement Chamber Guide

There are many OEM air disc brake chamber part numbers utilized by truck fleets. However, as with S-Cam chambers, the recommended service replacement part is provided in a “universal” configuration by Type and Size of the chamber itself. This greatly simplifies stocking requirements. Here is the Bendix Air Disc Brake Chamber universal part number quick reference guide.

Bendix® EverSure® Air Disc Brake Spring Brake Chamber

Type*	Stroke	Spring Brake Universal Replacement Part No.	Diaphragm Kit	Clamp Ring Kit	Dust Plug	Bellows Kit
T16/24	2.25" (57mm)	K042457	K052484	K090235	K034202	K090594
T18/24		K132352	K052484			
T20/24	2.50" (63mm)	K041960	K052486	K090236		
T22/24		K043148	K052487	K090237		
T24/24		K043270	K052488			

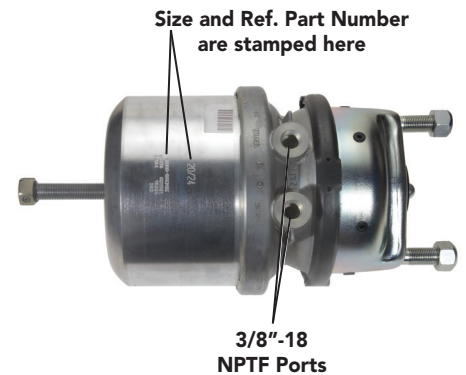
*The chamber type may be noted as TXX/5.6kN on the chamber bar code label. Note that 5.6kN refers to the force of the power spring. Air Disc Brake spring brake chamber for trailers part number K026451 has been replaced by part number K132352. K043329 has been replaced by K132352, now with a No-Touch™ power spring.



NG-3™ Piston Style Spring Brake Chamber

Type	Stroke	Spring Brake Universal Replacement Part No.	Diaphragm Kit	Clamp Ring Kit	Bellows Kit
T14/24	2.25" (57mm)	K026735	—	—	K090594
T16/24*		K026731	K052484	K090235	
T18/16		K027557	K052485		
T18/24	2.50" (63mm)	K025670	K052486	K090236	
T20/24		K025669	K052486	K090237	
T22/24		K026737	K052488		
T24/24		K026734	K052488		

*May have metric M22 to 3/8" NPT adapter.



Air Disc Brake Service Chambers

Type	Stroke	Service New Universal Replacement Pc. No.	Diaphragm Kit	Clamp Ring Kit	Bellows Kit
T12	2.25" (57mm)	K028227	—	—	K090594
T14		K028039			
T16	2.50" (63mm)	K028226	K052484	K090235	
T18		K028022	K052486	K090236	
T20		K028225	K052486		
T22		K028238	K052487	K090237	
T24	K028252	K052488			

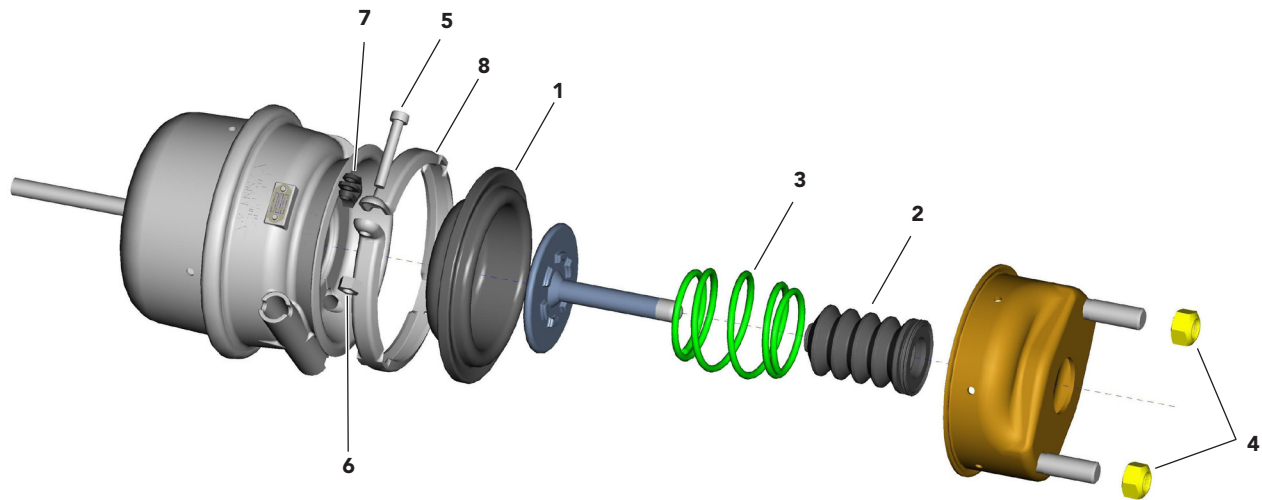
Universal replacements may require re-clocking of the clamp band. See Bendix Service Data Sheet SD-02-4525 for instructions on re-clocking.



B. Bendix Air Disc Brake Chamber Maintenance Kit Contents

The following describes the components included in the maintenance kits referenced in Section A (Diaphragm Kit, Clamp Ring Kit, Bellows Kit):

Maintenance Kits for Air Disc Brake Chambers



Item No.	Description	Kit Contents		
		Diaphragm Kit	Clamp Ring Kit	Bellows Kit
1	Diaphragm	1	—	—
2	Bellow	1	—	1
3	Spring	1	—	—
4	Lock Nut	2	—	2
5	Screw	1	1	—
6	Hex Nut	1	1	—
7	Spacing Sleeve	1	1	—
8	Clamp Ring	—	1	—
9	Grease Packet (not shown)	1	—	1

Caution: Be sure to follow the instruction sheet included in the kit when servicing.

The replacement diaphragm must match the original diaphragm.

The clamp band torque is 20 ft-lbs. (28 Nm.)

The mounting nut torque is 133 ft-lbs. (180 Nm.)

For Specific Part No. information, please see section A.

C. Bendix Air Disc Brake Chamber – OEM to Universal AM Replacement Cross-Reference Information

Bendix Air Disc Brake Service Chambers

OEM Part No.	Size	Stroke	Universal AM Replacement Kit
5016147	T20	2.50" (64mm)	K028225
5016148			
5016149			
5016150			
5016151			
5016152			
5016153			
5016154			
5016155			
5016156			
5016157			
5016158			
5016159			
5016160			
5016161			
5016162			
5017775			
5017776			
5018500			
5018501			
5019682			
5019683			
K025439			
K025440			
K026449			
K026450			
K034179			
K034180			
K044753			
K044754			
K097511			
K097513			
K107453			
K107454			
5016179	T16	2.25" (57mm)	K028226
5016180			
5016183			
5016184			
5016185			
5016186			
5016187			
5016188			
5016189			
5016190			
5016191			
5016192			
5017995			
5017996			
5018299			
5018300			
5020042			
5020043			

OEM Part No.	Size	Stroke	Universal AM Replacement Kit
5020282	T16	2.25" (57mm)	K028226
5020283			
K031541			
K031542			
K034062			
K034063			
K058756			
K058758			
K093728			
K093729			
K093730			
K093731			
K107449			
K107450			
5016736	T18	2.50" (64mm)	K028022
5016737			
5016738			
5016739			
5016756			
5016757			
5018616			
5017617			
5019418			
5019419			
5019420			
5019421			
5019724			
5019725			
K031569			
K031570			
K034105			
K034106			
K059995			
K059996			
K072919			
K072920			
K107444			
K107445			
5016691	T24	2.50" (64mm)	K028252
5016692			
5016693			
5016694			
5016695			
5016696			
5019385			
5019386			
K035714			
K035715			

*OE PN had 57mm stroke and is no longer in production. All of these chambers can be serviced by Universal replacement T18 (64mm) part number K028022, but they should always be replaced in pairs across axle due to the stroke differences.

Bendix Air Disc Brake Service Chambers, continued

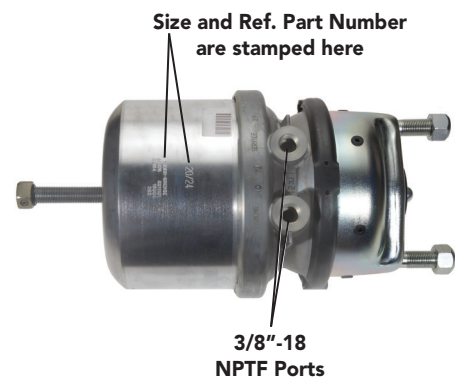
OEM Part No.	Size	Stroke	Universal AM Replacement Kit
5017180*	T18	2.25" (57mm)	K028022
5017181*			
5017773*			
5017774*			
5017787*			
5017788*			
5017789*			
5017790*			
5016678	T22	2.50" (64mm)	K028238
5016679			
5016680			
5016681			
5016710			
5016711			
5017096			
5017097			
K044755			
K044756			
K092130			
K092131			

OEM Part No.	Size	Stroke	Universal AM Replacement Kit
5016665	T12	2.25" (57mm)	K028227
5016666			
5016667			
5016668			
5019740			
5016650	T14	2.25" (57mm)	K028039
5016651			
5016652			
5016653			
5016654			
5016655			
5016656			
5016657			
5020018			
5020019			
K072914			
K072915			
K107447			
K107448			
K124515			
K124516			

Universal replacements may require re-clocking of the clamp band. See Bendix Service Data Sheet SD-02-4525 for instructions on re-clocking.

NG-3 Piston Style Spring Brakes

OEM Part No.	Size	Stroke	Universal Replacement AM Part No. (Piston Style)	Ref PN
5017187	T18/16	2.25" (57mm)	K027557	K012314
5017188				
5017758				
5017759				
5017760				
5017761				
5016878	T14/24	2.25" (57mm)	K026735	K011039
5016879				
5016882				
5016883				
K027323				
K027324				
K107455				
K107456				
5016450	T16/24	2.25" (57mm)	K026731	K011097
5016451				
5016452				
5016453				
5016454				
5016455				
5016941				
5016942				
K107457				
K107458				



NG-3 Piston Style Spring Brakes, continued

OEM Part No.	Size	Stroke	Universal Replacement AM Part No. (Piston Style)	Ref PN				
5016722	T16/24	2.50" (64mm)	K025670	K011236				
5016723								
5016724								
5016725								
5016726								
5016727								
5016770								
5016771								
5018434								
5018435								
5018436								
5018437								
5018450								
5018451								
5019734								
5019735								
K025437								
K025438								
K044757								
K044758								
K095747								
K095603								
K102862								
K102863								
K107442								
K107443								
5016722					T18/24	2.50" (64mm)	K025670	K011236
5016723								
5016724								
5016725								
5016726								
5016727								
5016770								
5016771								
5018434								
5018435								
5018436								
5018437								
5018450								
5018451								
5019734								
5019735								
K025437								
K025438								
K044757								
K044758								
K095747								

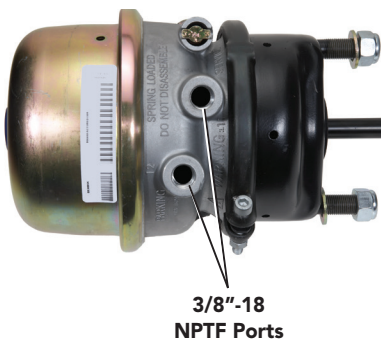
OEM Part No.	Size	Stroke	Universal Replacement AM Part No. (Piston Style)	Ref PN
K095603	T18/24	2.50" (64mm)	K025670	K011236
K102862				
K102863				
K107442				
K107443				
5016264				
5016265	T20/24	2.50" (64mm)	K025669	K011101
5016279				
5016280				
5016281				
5016282				
5016283				
5016284				
5016285				
5016286				
5016287				
5016288				
5016289				
5016290				
5016775				
5016776				
5016784				
5016785				
K025435				
K025436				
K107303				
K107304				
K107451				
K107452				
5016463	T24/24	2.50" (64mm)	K026734	K011109
5016464				
5016465				
5016466				
5016467				
5016468				
5016469				
5016470				
K029173				
K029174				
K107467				
K107468				
5016933	T22/24	2.50" (64mm)	K026737	K011106
5016934				
5017710				
5017711				
K044759				
K044760				

Universal replacements may require re-clocking of the clamp band. See Bendix Service Data Sheet SD-02-4525 for instructions on re-clocking.

Bendix EverSure® Double Diaphragm ADB Spring Brakes

OEM Part No.	Size	Stroke	Universal Replacement AM PN – EverSure® ADB
K042441	T16/5.6	2.25" (57mm)	K042457
K042442			
K042443			
K042444			
K042445			
K042446			
K042447			
K042448			
K057415			
K057416			
K057417			
K057418			
K059879			
K059880			
K065798			
K043290			
K043291			
K043294			
K043295			
K043296			
K043297			
K043302			
K043303			
K043304			
K043305			
K043306			
K043307			
K059884			
K059885			
K065541			
K066986			
K066987			
K066988			
K066989			
K099741			
K099742			
K099743			

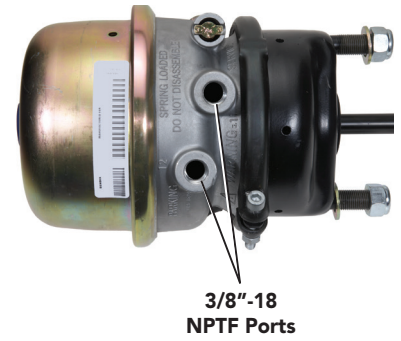
OEM Part No.	Size	Stroke	Universal Replacement AM PN – EverSure® ADB			
K039215	T20/5.6	2.50" (64mm)	K041960			
K039219						
K039220						
K039221						
K039222						
K039225						
K039227						
K039229						
K039230						
K039231						
K039232						
K057413						
K057414						
K059877						
K059878						
K065543	T22/5.6	2.50" (64mm)	K043148			
K043136						
K043137						
K043138						
K043139						
K059882						
K059883						
K072251						
K043250				T24/5.6	2.50" (64mm)	K043270
K043251						
K043252						
K043253						
K043254						
K043255						
K043256						
K043257						
K043258						
K043259						
K092134						
K092135						
K095806						
K095807						
K096682						



**3/8\"-18
NPTF Ports**

Bendix EverSure® Double Diaphragm ADB Spring Brakes, continued

OEM Part No.	Size	Stroke	Universal Replacement AM PN – EverSure® ADB
5017127	T18/5.4	2.25" (57mm)	K132352
5017128			
5017129			
5017130			
5017661			
5017662			
5020487			
5020488			
5020489			
K026129			
K026128			
K026127			
K026453			



Universal replacements may require re-clocking of the clamp band. See Bendix Service Data Sheet SD-02-4525 for instructions on re-clocking.

New Bendix EverSure® Double Diaphragm ADB Spring Brakes With No-Touch Power Spring

OEM Part No.	Size	Stroke	Universal Replacement AM PN – EverSure® ADB
K128503	T18/24	2.25" (57mm)	K132352
K128504			

Log-on and Learn from the Best

On-line training that's available when you are – 24/7/365.

Visit brake-school.com.

