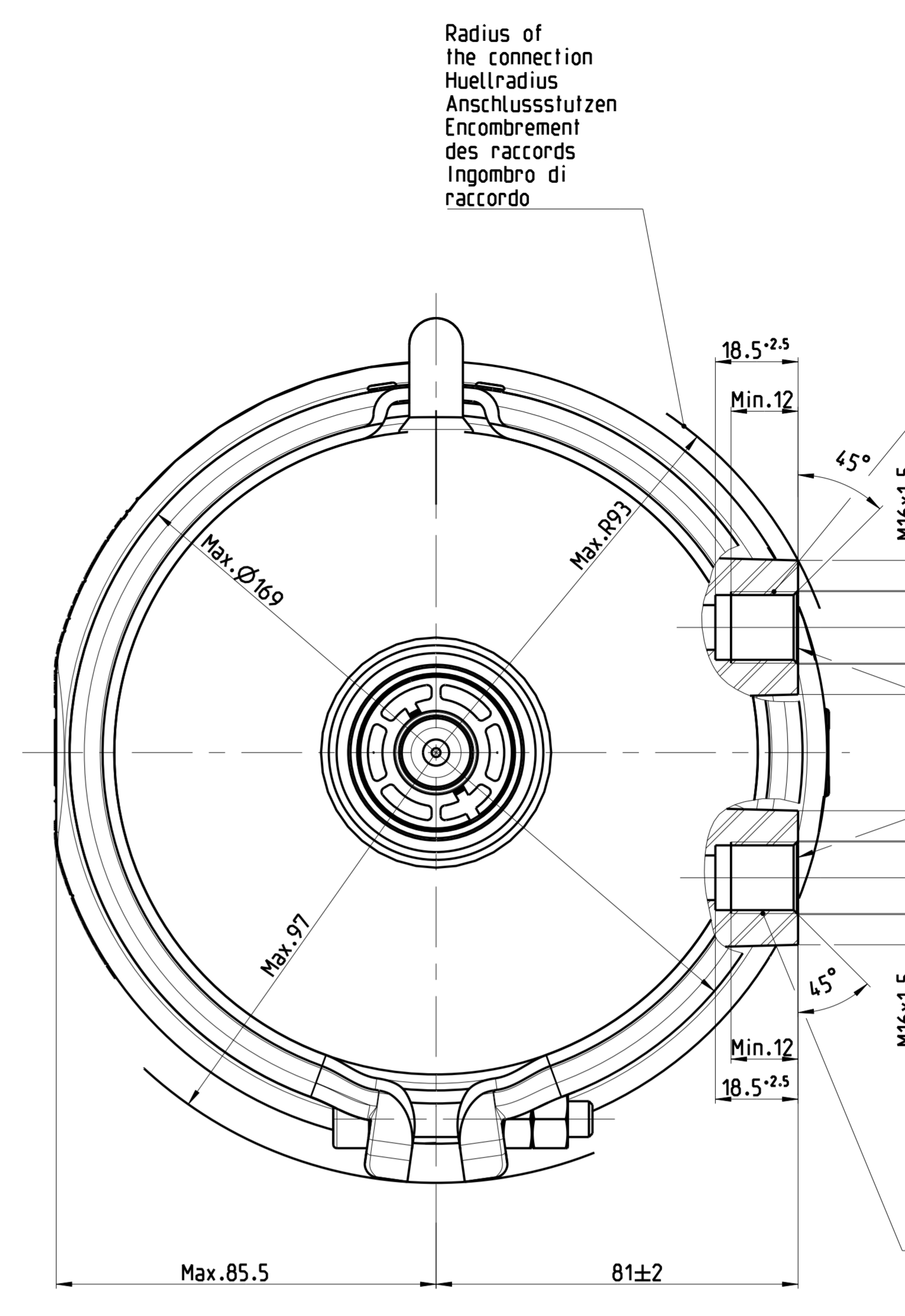
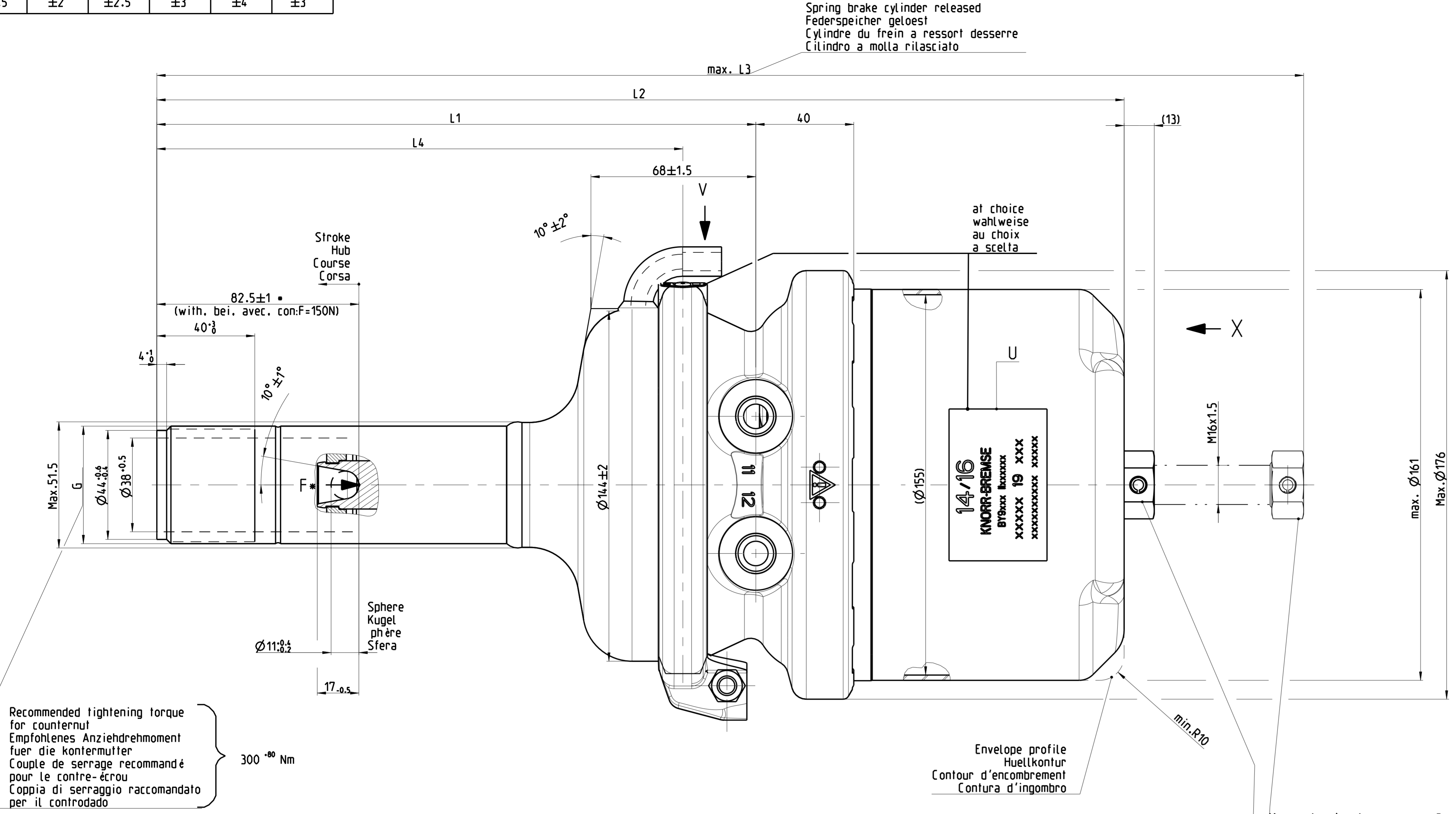


Tolerances Tolerances Tolleranza	Nominal dimensions in [mm] Nominal dimensions in [mm] Cotes nominales en [mm] Dimensioni nominali in [mm]
< 6 = 30	> 30 = 80 = 120 = 120 = 315
±1 ±1.5 ±2 ±2.5 ±3 ±4 ±3°	[mm]

- General presentation, exact orientation of the components, see below.
- Allgemeine Darstellung, fuer genaue Teilorientierung, siehe Ansicht unten.
- Présentation générale, orientation exacte des pièces, voir vue en bas.
- Presentazione generale. Per l'orientazione corretta dei pezzi, vedere il disegno sotto.

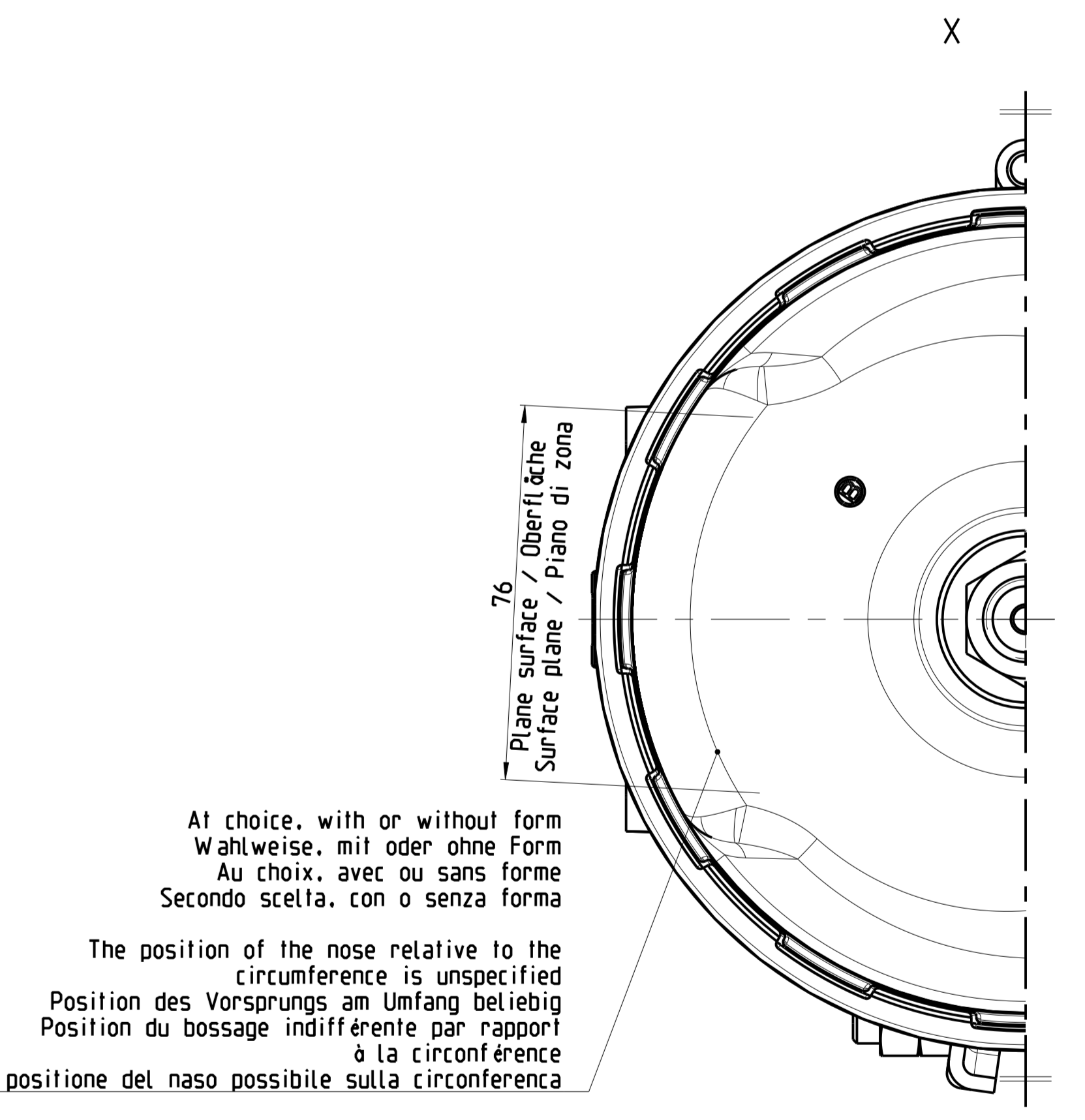
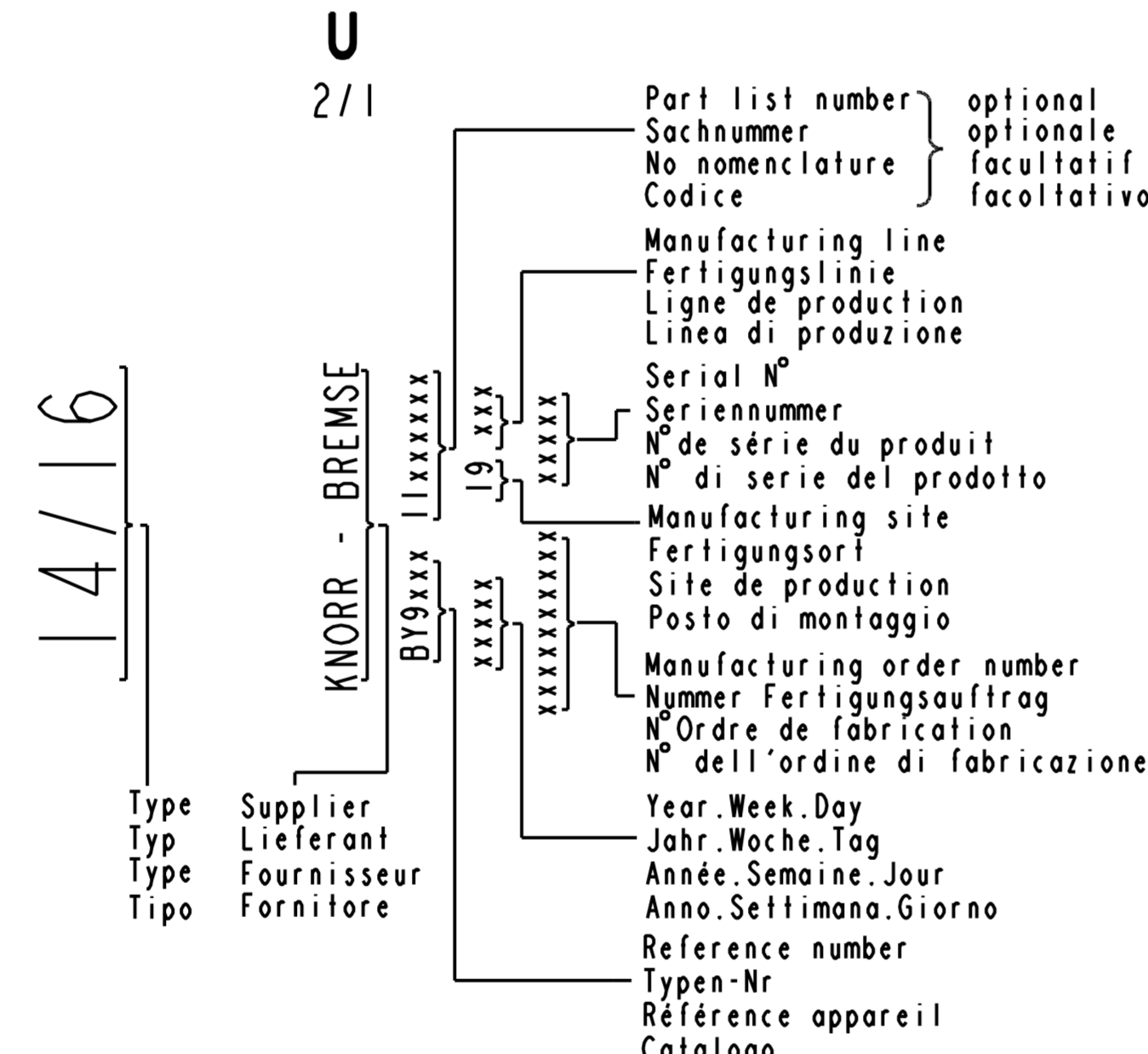
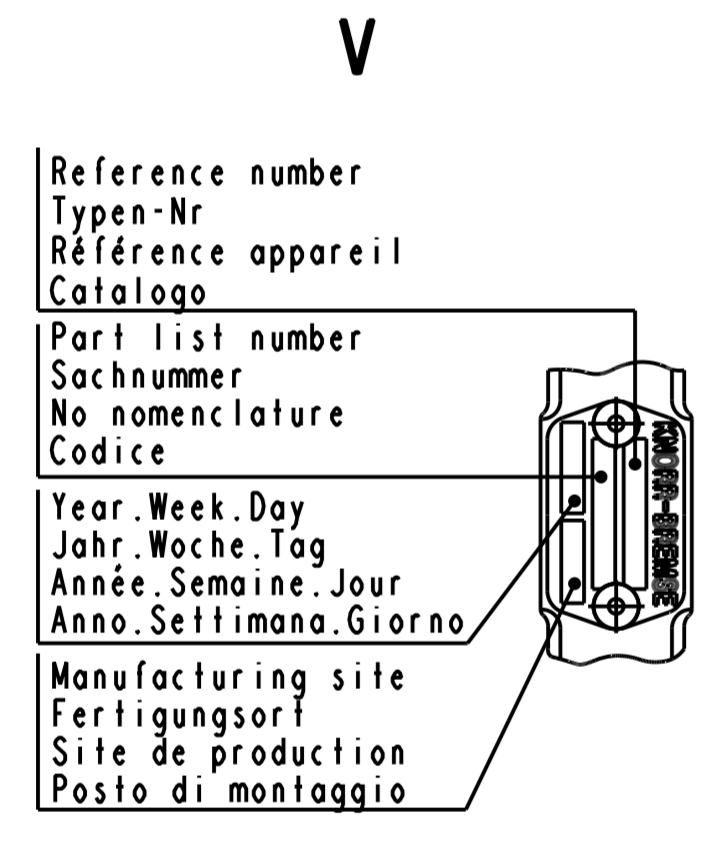


Max. releasing torque
Max. Loesemoment
Couple de desserrage max.
Coppia di rilascio max. } 35Nm

Mechanical releasing device: Spanner width
Mechanische Loesevorrichtung: SW
Dispositif de desserrage mécanique: Cole sur plats
Dispositivo di rilascio meccanico: Chiave } 24

Tightening torque in operating position
Anziehdrehmoment in Betriebsstellung
Couple de serrage en position de service
Coppia di serraggio nella posizione di servizio } 20 - 70 Nm

Recommended tightening torque
for conulnnt
Empfohlenes Anziehdrehmoment
fuer die Kontermutter
Couple de serrage recommandé
pour la contre-écrou
Coppia di serraggio raccomandato
per il controdado } 300^{-0.0} Nm



Operational uses specifications:

Max. operating pressure
Max. Betriebsdruck
Pression de service max. 11 } 10.2 bar
Pressione d'esercizio max. 11 } 10.2 bar

Max. operating pressure
Max. Betriebsdruck
Pression de service max. 12 } 8.5 bar
Pressione d'esercizio max. 12 } 8.5 bar

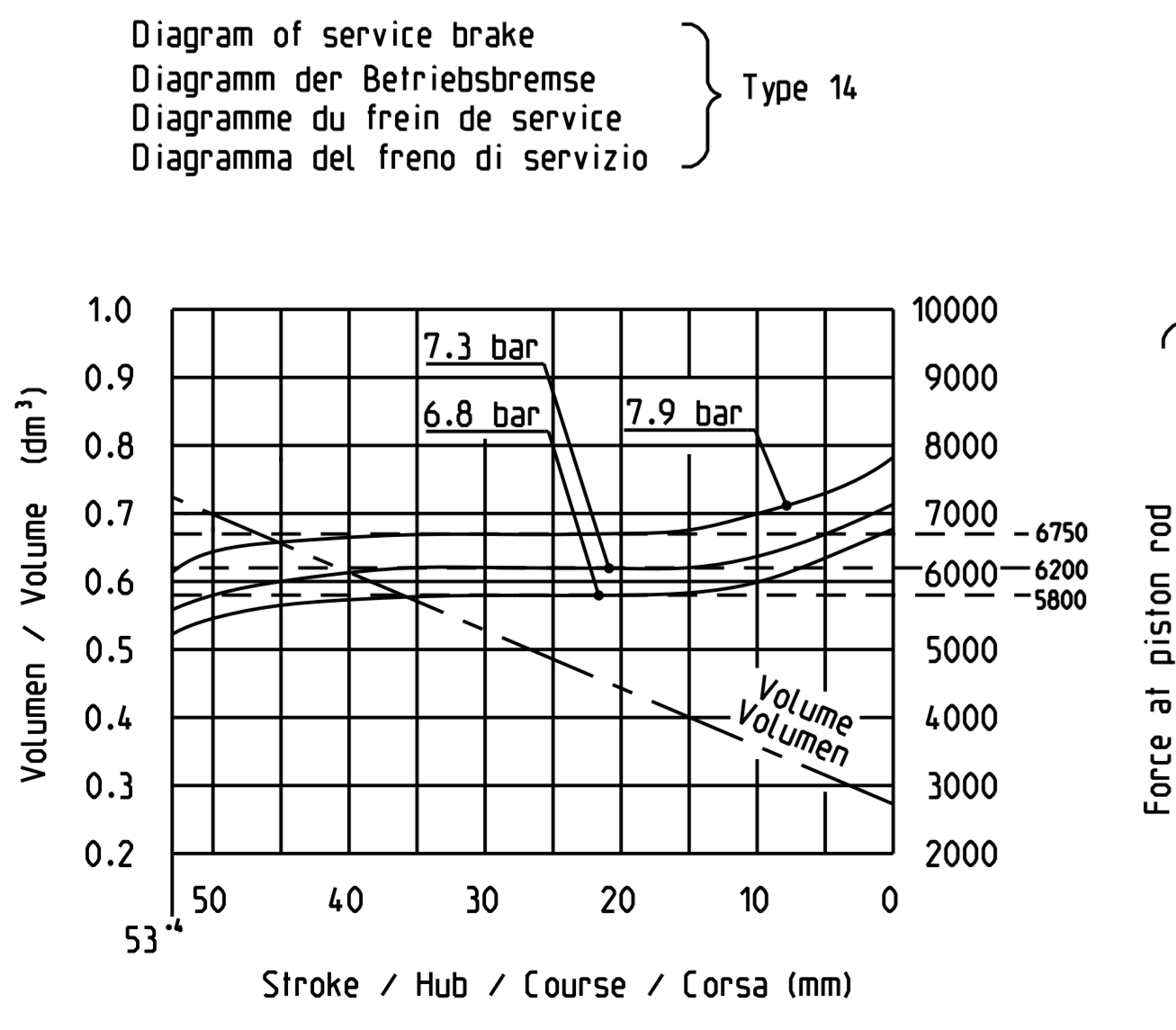
Permissible leakage
Zulaessige Undichtheit
Fuite admissible
Fuga d'aria ammissibile } $v_n = 30 \text{ cm}^3 / \text{min}$

Critical uses specifications without part failure:

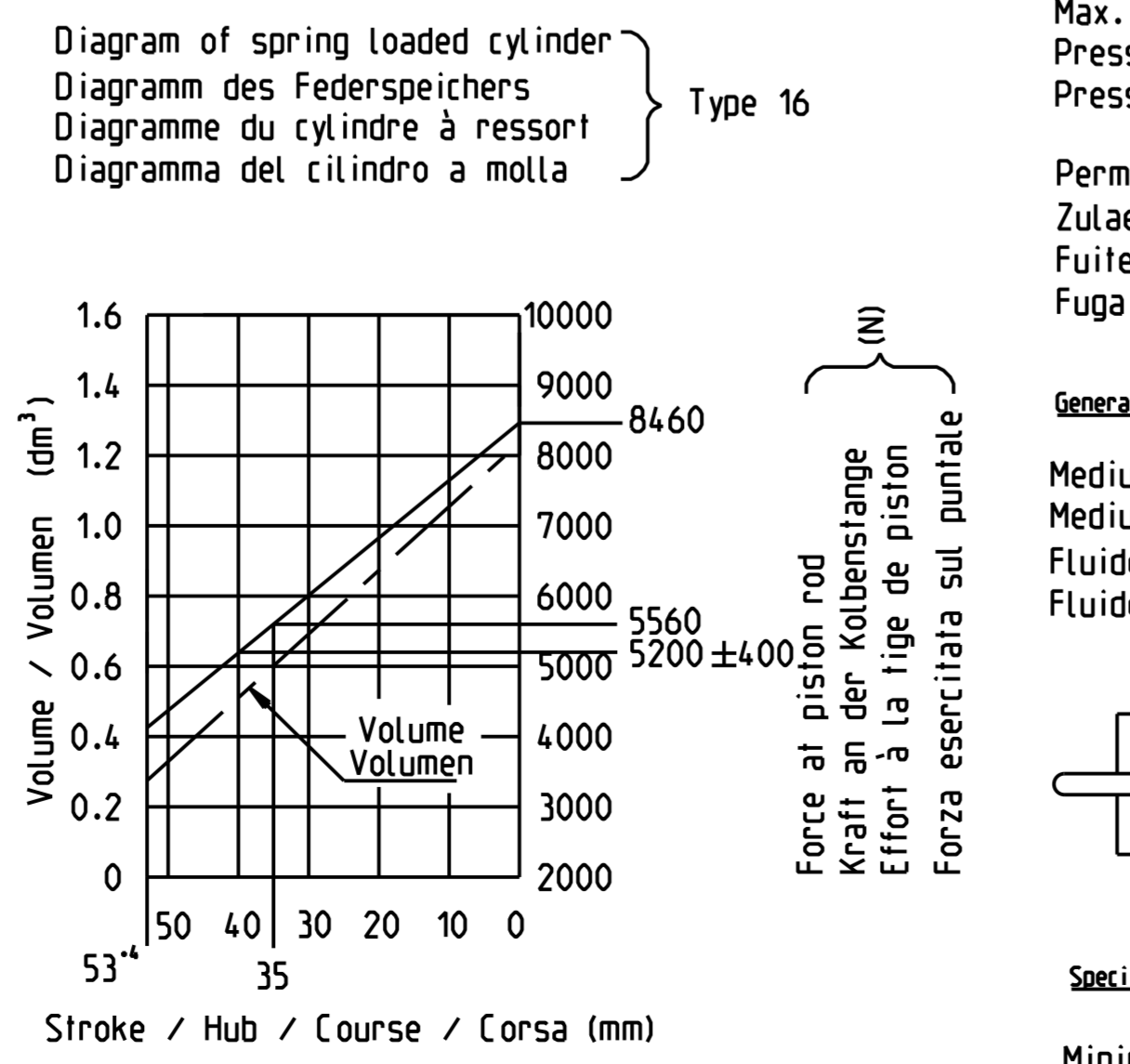
Max. pressure
Hoechstdruck
Pression max. 11 } 12 bar
Pressione massima 11 } 12 bar

Max. pressure
Hoechstdruck
Pression max. 12 } 10 bar
Pressione massima 12 } 10 bar

Temperature range
Therm. Anwendungsbereich
Plage de température
Campo termico di applicazione } -40°C^{bis} to +80°C^a



Force at piston rod
Kraft an der Kolbenstange
Effort à la tige de piston
Força exercitãta sul puntale



Force at piston rod
Kraft an der Kolbenstange
Effort à la tige de piston
Força exercitãta sul puntale

General specifications:

Medium: Air
Medium: Luft
Fluide: Air
Fluido: Aria } Designation of connection threads corresponding to Anschlussbezeichnungen nach DIN-ISO 6786
Designations des raccords selon DIN-ISO 6786
Designazioni degli attacchi secondo DIN-ISO 6786

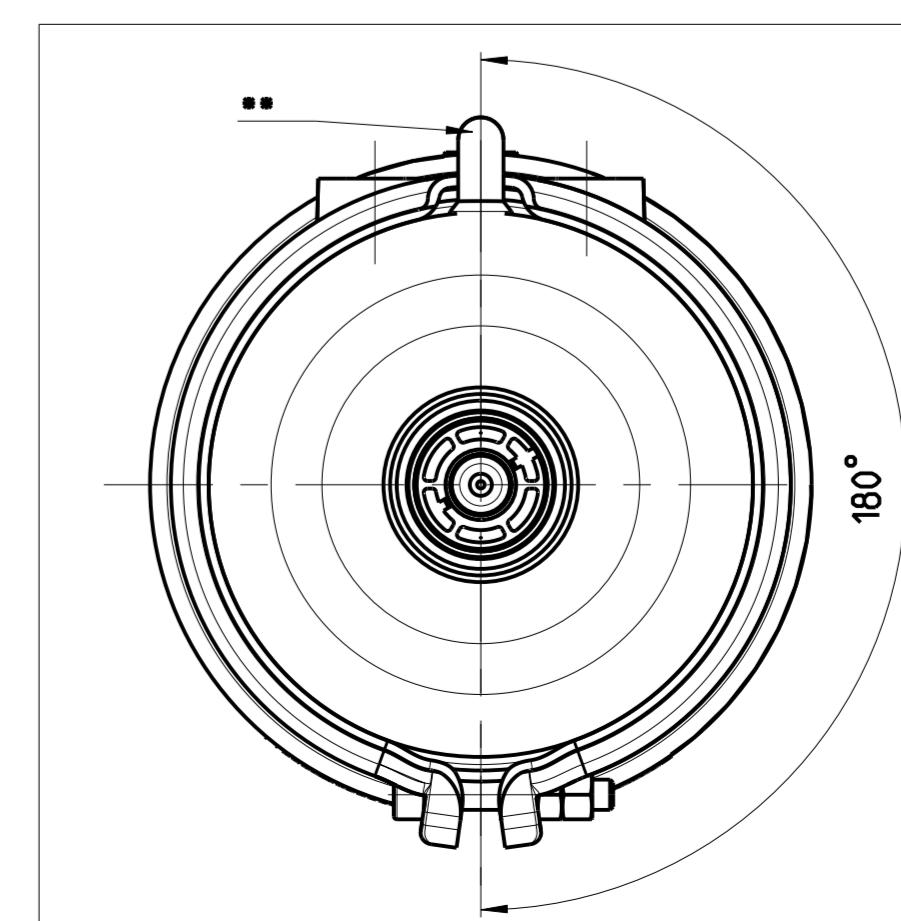
Graphic symbol
Schaltzeichen
Symbole graphique
Simbolo grafico } DIN-ISO 1219

Specifications for service brake activation in parking position:

Minimum pressure
Minimum Druck
Pression minimale
Pressione minima } 2 bar

Pressure rising min.
Druckgradient min.
Montée en pression min.
Aumento della pressione min. } 11 } 3 bar/s

BY9274 - 1139606F	245	395	477	215	M4x2	7
KB-Ref. Number KB-Bestell-Nr KB-No de ref. Codice KB per ordine	L1 ±1.5	L2 ±3	L3	L4 ±1	G	Weight Gewicht Masse (Kg) Masse



100 mm

10000
9000
8000
7000
6000
5000
4000
3000
2000

1.0
0.9
0.8
0.7
0.6
0.5
0.4
0.3
0.2

50 40 30 20 10 0

53

1.6
1.4
1.2
1.0
0.8
0.6
0.4
0.2
0

50 40 30 20 10 0

53

10000
9000
8460
8000
7000
6000
5560
5200
4000
3000
2000

11 } 2 bar

11 } 3 bar/s

003 0303202 01.04.2015 00
002 0303202 15.06.2012 00

Revision Reference
Date Name

ISO 129-30
First Angle Proj.

Special Characteristics or S.C.T.
0 C.C.

Surface Treatment: Length Unit: mm Scale: 1:1
Weight: See Table

Material: -

General Tolerances: DIN-ISO 6786

Medium: Air
Medium: Luft
Fluide: Air
Fluido: Aria } Designation of connection threads corresponding to Anschlussbezeichnungen nach DIN-ISO 6786
Designations des raccords selon DIN-ISO 6786
Designazioni degli attacchi secondo DIN-ISO 6786

Graphic symbol
Schaltzeichen
Symbole graphique
Simbolo grafico } DIN-ISO 1219

Specifications for service brake activation in parking position:
Minimum pressure } 2 bar
Pressure rising min. } 11 } 3 bar/s

•• Rubber breather elbow
•• Entlueftungschlauch
•• Pipette caoutchouc coudeé
•• Staffa ad angolo

10000
9000
8000
7000
6000
5000
4000
3000
2000

1.0
0.9
0.8
0.7
0.6
0.5
0.4
0.3
0.2

50 40 30 20 10 0

53

1.6
1.4
1.2
1.0
0.8
0.6
0.4
0.2
0

50 40 30 20 10 0

53

11 } 2 bar

11 } 3 bar/s

003 0303202 01.04.2015 00
002 0303202 15.06.2012 00

Revision Reference
Date Name

ISO 129-30
First Angle Proj.

Special Characteristics or S.C.T.
0 C.C.

Surface Treatment: Length Unit: mm Scale: 1:1
Weight: See Table

Material: -

General Tolerances: DIN-ISO 6786

Medium: Air
Medium: Luft
Fluide: Air
Fluido: Aria } Designation of connection threads corresponding to Anschlussbezeichnungen nach DIN-ISO 6786
Designations des raccords selon DIN-ISO 6786
Designazioni degli attacchi secondo DIN-ISO 6786

Graphic symbol
Schaltzeichen
Symbole graphique
Simbolo grafico } DIN-ISO 1219

Specifications for service brake activation in parking position:
Minimum pressure } 2 bar
Pressure rising min. } 11 } 3 bar/s

•• Rubber breather elbow
•• Entlueftungschlauch
•• Pipette caoutchouc coudeé
•• Staffa ad angolo

10000
9000
8000
7000
6000
5000
4000
3000
2000

1.0
0.9
0.8
0.7
0.6
0.5
0.4
0.3
0.2

50 40 30 20 10 0

53

1.6
1.4
1.2
1.0
0.8
0.6
0.4
0.2
0

50 40 30 20 10 0

53

11 } 2 bar

11 } 3 bar/s

003 0303202 01.04.2015 00
002 0303202 15.06.2012 00

Revision Reference
Date Name

ISO 129-30
First Angle Proj.

Special Characteristics or S.C.T.
0 C.C.

Surface Treatment: Length Unit: mm Scale: 1:1
Weight: See Table

Material: -

General Tolerances: DIN-ISO 6786

Medium: Air
Medium: Luft
Fluide: Air
Fluido: Aria } Designation of connection threads corresponding to Anschlussbezeichnungen nach DIN-ISO 6786
Designations des raccords selon DIN-ISO 6786
Designazioni degli attacchi secondo DIN-ISO 6786

Graphic symbol
Schaltzeichen
Symbole graphique
Simbolo grafico } DIN-ISO 1219

Specifications for service brake activation in parking position:
Minimum pressure } 2 bar
Pressure rising min. } 11 } 3 bar/s

•• Rubber breather elbow
•• Entlueftungschlauch
•• Pipette caoutchouc coudeé
•• Staffa ad angolo

10000
9000
8000
7000
6000
5000
4000
3000
2000

1.0
0.9
0.8
0.7
0.6
0.5
0.4
0.3
0.2

50 40 30 20 10 0

53

1.6
1.4
1.2
1.0
0.8
0.6
0.4
0.2
0

50 40 30 20 10 0

53

11 } 2 bar

11 } 3 bar/s

003 0303202 01.04.2015 00
002 0303202 15.06.2012 00

Revision Reference
Date Name

ISO 129-30
First Angle Proj.

Special Characteristics or S.C.T.
0 C.C.

Surface Treatment: Length Unit: mm Scale: 1:1
Weight: See Table

Material: -

General Tolerances: DIN-ISO 6786

Medium: Air
Medium: Luft
Fluide: Air
Fluido: Aria } Designation of connection threads corresponding to Anschlussbezeichnungen nach DIN-ISO 6786
Designations des raccords selon DIN-ISO 6786
Designazioni degli attacchi secondo DIN-ISO 6786

Graphic symbol
Schaltzeichen
Symbole graphique
Simbolo grafico } DIN-ISO 1219

Specifications for service brake activation in parking position:
Minimum pressure } 2 bar
Pressure rising min. } 11 } 3 bar/s

•• Rubber breather elbow
•• Entlueftungschlauch
•• Pipette caoutchouc coudeé
•• Staffa ad angolo

10000
9000
8000
7000
6000
5000
4000
3000
2000

1.0
0.9
0.8
0.7
0.6
0.5
0.4
0.3
0.2

50 40 30 20 10 0

53

1.6
1.4
1.2
1.0
0.8
0.6
0.4
0.2
0

50 40 30 20 10 0

53

11 } 2 bar

11 } 3 bar/s

003 0303202 01.04.2015 00
002 0303202 15.06.2012 00

Revision Reference
Date Name

ISO 129-30
First Angle Proj.

Special Characteristics or S.C.T.
0 C.C.

Surface Treatment: Length Unit: mm Scale: 1:1
Weight: See Table

Material: -

General Tolerances: DIN-ISO 6786

Medium: Air
Medium: Luft
Fluide: Air
Fluido: Aria } Designation of connection threads corresponding to Anschlussbezeichnungen nach DIN-ISO 6786
Designations des raccords selon DIN-ISO 6786
Designazioni degli attacchi secondo DIN-ISO 6786

Graphic symbol
Schaltzeichen
Symbole graphique
Simbolo grafico } DIN-ISO 1219

Specifications for service brake activation in parking position:
Minimum pressure } 2 bar
Pressure rising min. } 11 } 3 bar/s

•• Rubber breather elbow
•• Entlueftungschlauch
•• Pipette caoutchouc coudeé
•• Staffa ad angolo

10000
9000
8000
7000
6000
5000
4000
3000
2000

1.0
0.9
0.8
0.7
0.6
0.5
0.4
0.3
0.2

50 40 30 20 10 0

53

1.6
1.4
1.2
1.0
0.8
0.6
0.4
0.2
0

50 40 30 20 10 0

53

11 } 2 bar

11 } 3 bar/s

003 0303202 01.04.2015 00
002 0303202 15.06.2012 00

Revision Reference
Date Name

ISO 129-30
First Angle Proj.

Special Characteristics or S.C.T.
0 C.C.

Surface Treatment: Length Unit: mm Scale: 1:1
Weight: See Table

Material: -

General Tolerances: DIN-ISO 6786

Medium: Air
Medium: Luft
Fluide: Air
Fluido: Aria } Designation of connection threads corresponding to Anschlussbezeichnungen nach DIN-ISO 6786
Designations des raccords selon DIN-ISO 6786
Designazioni degli attacchi secondo DIN-ISO 6786

Graphic symbol
Schaltzeichen
Symbole graphique
Simbolo grafico } DIN-ISO 1219

Specifications for service brake activation in parking position:
Minimum pressure } 2 bar
Pressure rising min. } 11 } 3 bar/s

•• Rubber breather elbow
•• Entlueftungschlauch
•• Pipette caoutchouc coudeé
•• Staffa ad angolo

10000
9000
8000
7000
6000
5000
4000
3000
2000

1.0
0.9
0.8
0.7
0.6
0.5
0.4
0.3
0.2

50 40 30 20 10 0

53

1.6
1.4
1.2
1.0
0.8
0.6
0.4
0.2
0

50 40 30 20 10 0

53

11 } 2 bar

11 } 3 bar/s

003 0303202 01.04.2015 00
002 0303202 15.06.2012 00

Revision Reference
Date Name

ISO 129-30
First Angle Proj.

Special Characteristics or S.C.T.
0 C.C.

Surface Treatment: Length Unit: mm Scale: 1:1
Weight: See Table

Material: -

General Tolerances: DIN-ISO 6786

Medium: Air
Medium: Luft
Fluide: Air
Fluido: Aria } Designation of connection threads corresponding to Anschlussbezeichnungen nach DIN-ISO 6786
Designations des raccords selon DIN-ISO 6786
Designazioni degli attacchi secondo DIN-ISO 6786

Graphic symbol
Schaltzeichen
Symbole graphique
Simbolo grafico } DIN-ISO 1219

Specifications for service brake activation in parking position:
Minimum pressure } 2 bar
Pressure rising min. } 11 } 3 bar/s

•• Rubber breather elbow
•• Entlueftungschlauch
•• Pipette caoutchouc coudeé
•• Staffa ad angolo

10000
9000
8000
7000
6000
5000
4000
3000
2000

1.0
0.9
0.8
0.7
0.6
0.5
0.4
0.3
0.2

50 40 30 20 10 0

53

1.6
1.4
1.2
1.0
0.8
0.6
0.4
0.2
0

50 40 30 20 10 0

53

11 } 2 bar

11 } 3 bar/s

003 0303202 01.04.2015 00
002 0303202 15.06.2012 00

Revision Reference
Date Name

ISO 129-30
First Angle Proj.

Special Characteristics or S.C.T.
0 C.C.

Surface Treatment: Length Unit: mm Scale: 1:1
Weight: See Table

Material: -

General Tolerances: DIN-ISO 6786

Medium: Air
Medium: Luft
Fluide: Air
Fluido: Aria } Designation of connection threads corresponding to Anschlussbezeichnungen nach DIN-ISO 6786
Designations des raccords selon DIN-ISO 6786
Designazioni degli attacchi secondo DIN-ISO 6786

Graphic symbol
Schaltzeichen
Symbole graphique
Simbolo grafico } DIN-ISO 1219

Specifications for service brake activation in parking position:
Minimum pressure } 2 bar
Pressure rising min. } 11 } 3 bar/s

•• Rubber breather elbow
•• Entlueftungschlauch
•• Pipette caoutchouc coudeé
•• Staffa ad angolo

Type 14/16