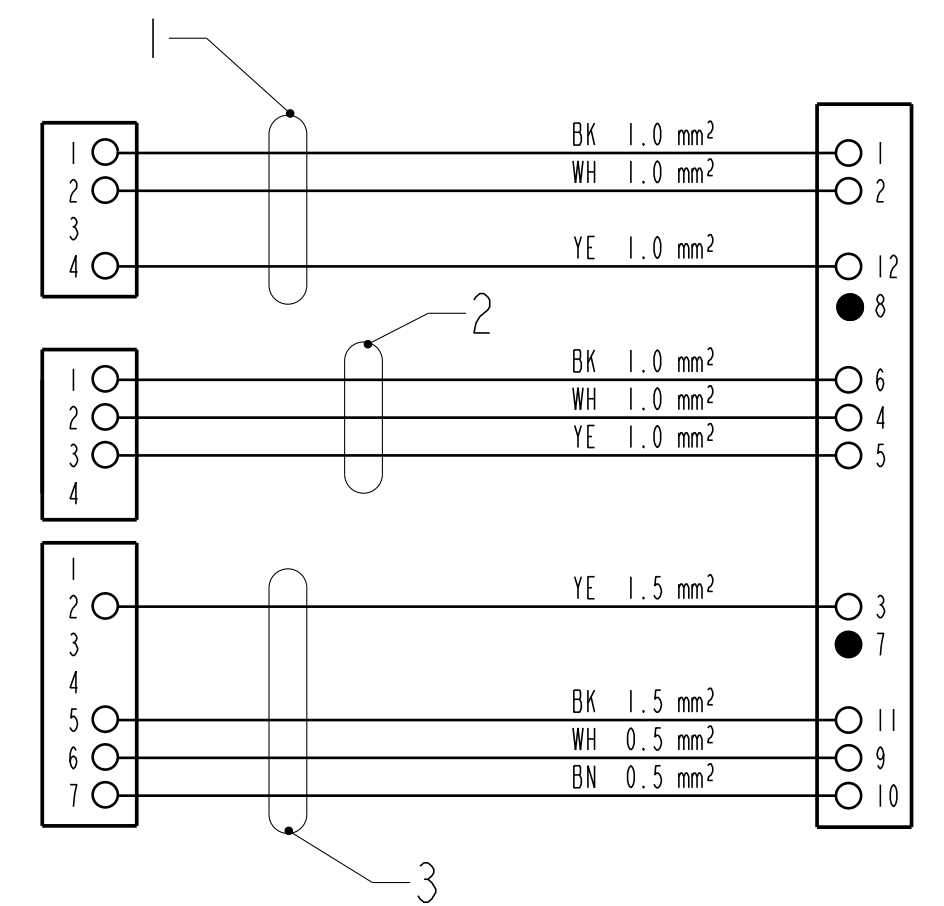


Verdrahtungsplan / Wiring diagram



Cable Kabel	1	2	3
Cable Leitung	PUR/Cu-Litze 3 x 1.0 mm ²	PUR/Cu-Litze 3 x 1.0 mm ²	PVC/Cu-Litze CAN wire 2x1.5mm ² + (2x0.5)mm ²
alternativ/alternative	PVC/Cu-Litze	PVC/Cu-Litze	

BK = Black - Schwarz
 YE = Yellow - Gelb
 WH = White - Weiß
 BN = Brown - Braun

Permissible ambient temperature
 Zulässige Umgebungstemperatur } -40°C ... +80°C

Type of enclosure according to DIN 40050 part 9
 Schutzart nach DIN 40050 Teil 9 } IPX7 IPX9K (in mounted condition)
 IPX7 IPX9K (im montierten Zustand)

For further technical data see mounting instruction
 Weitere Technische Angaben siehe Einbauanleitung } Y136137
 Y037243

This product or component is suitable for the specific application, or application type as defined herein and is not suitable for any other applications. Knorr-Bremse is therefore not liable for any consequences which arise out of the use of this product for other applications.

Toleranzen						
Nominalmaße in mm						
≤6	>6 ≤30	>30 ≤80	>80 ≤120	>120 ≤315	>315	∇
±1	±1.5	±2	±2.5	±3	±4	±3°

K097070...	3000 ± 100	3000 ± 100	6000 ± 100		
Sach-Nummer	L1 [mm]	L2 [mm]	L3 [mm]		
003	TSK0449083	14.09.2016	Mueller W.		
002	CR031208	07.04.2014	Müller W.		
001	TSK229447	19.06.2013	Müller W.		
Rev.	Revision Reference	Date	Name		
Numbers of described parts:	ISO 128-30	Special Characteristics:	Surface Treatment:	Length Unit: mm	Scale: 1:1
or	First Angle Proj.	Tolerancing Principle DIN 7167	Material: -x-	Weight: --	kg
See Table 1		General Tolerances	Made from:		
CAD Model No.:	Z005764	Corners	Connecting Cable		
	KNORR-BREMSE	CAD Sys.: Pro/E	Format A2	Anschlusskabel	
	Systeme für Nutzfahrzeuge GmbH	Responsible Dept./Team	MDE3	In-Out TEBSG2.2 / Standard	
		Drawn	2012/10/04	Müller	iLvl und Diagnose
		Release Process Documentation in EDM, Level and Status Information in Watermark.	Drawing Number	Z070757	Drw-Rev: 003
	KNORR-BREMSE Group	Doc-Type: ID	Language:	52	Sheet 1 of 1

This document contains proprietary and confidential information and such information may not be disclosed to others for any purpose or used in any way without written consent from the KNORR-BREMSE Organisation