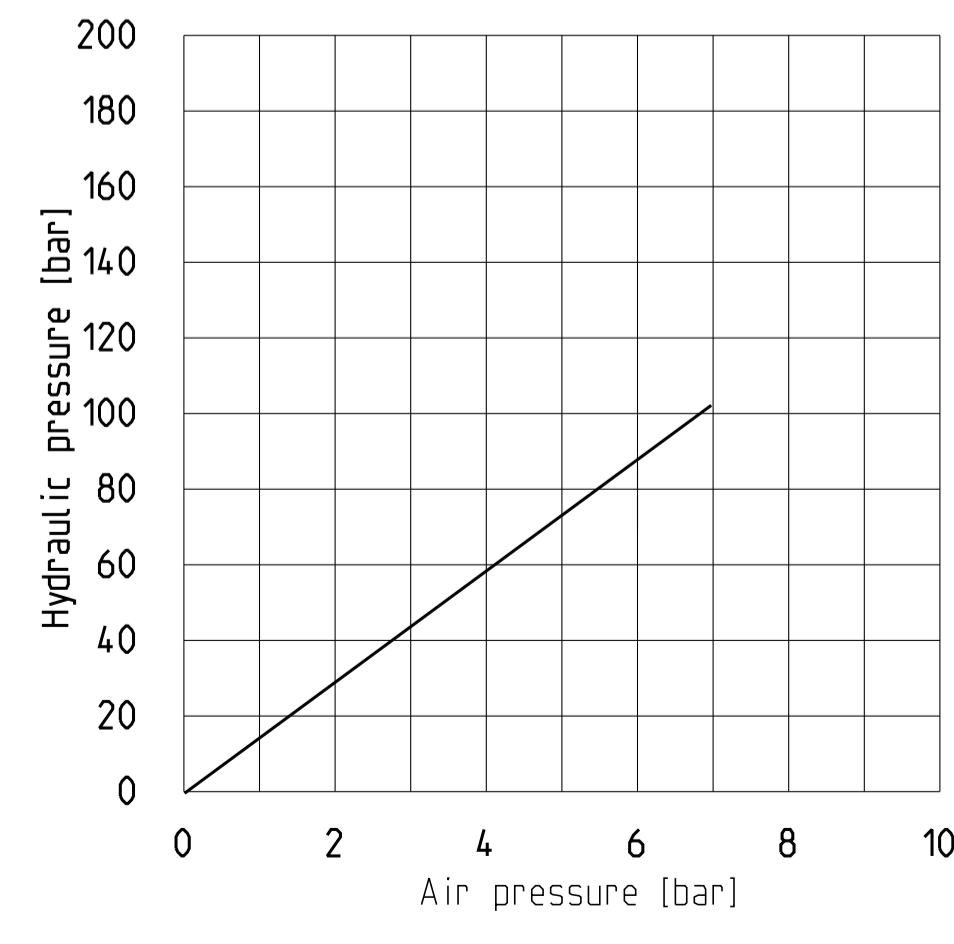
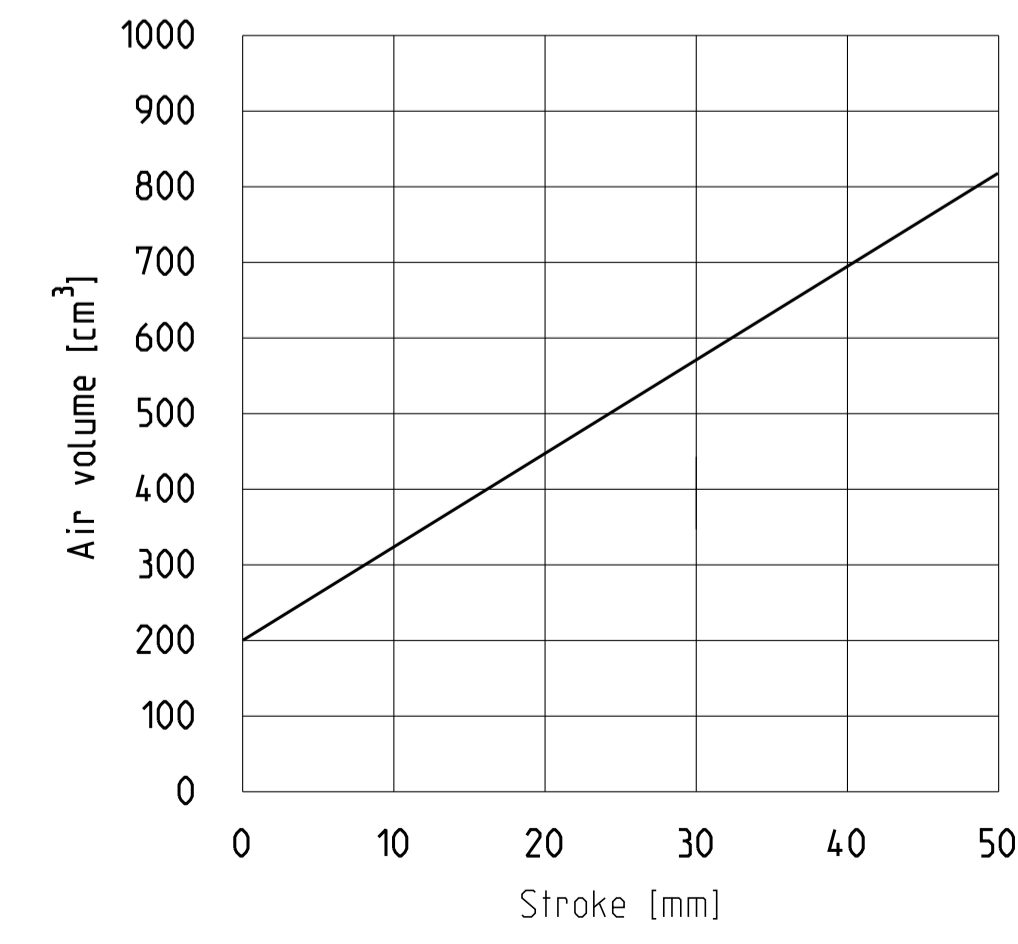
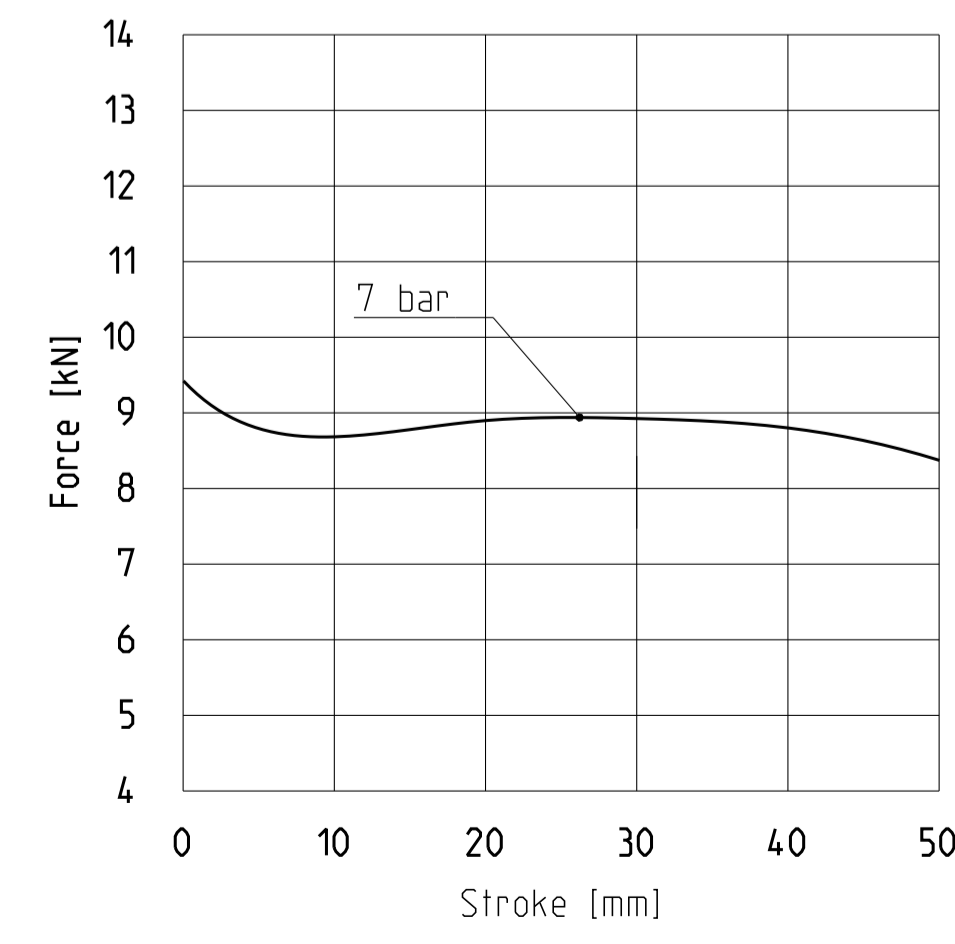
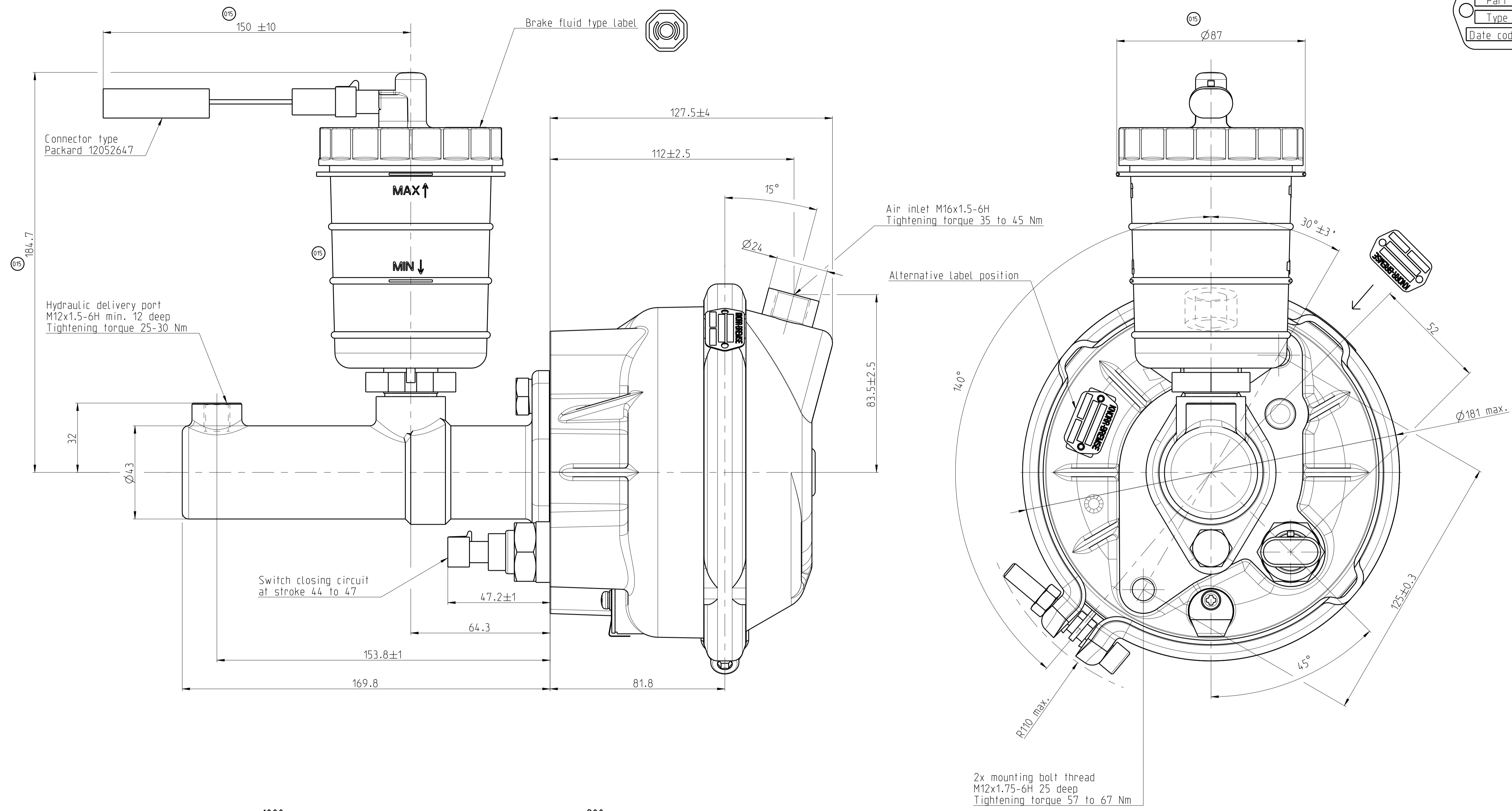
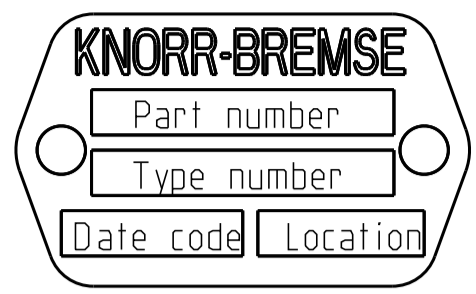


Tolerances Tolerances Tolerances Toleranza	Nominalmasse in [mm] Nominal dimensions in [mm] Cotes nominales en [mm] Dimensioni nominali in [mm]					[mm]
< 6 = 30	> 6 = 30	> 30 = 80	> 80 = 120	> 120 = 315	> 315	
±0.5	±1	±1.5	±2	±2.5	±3	±2.5°

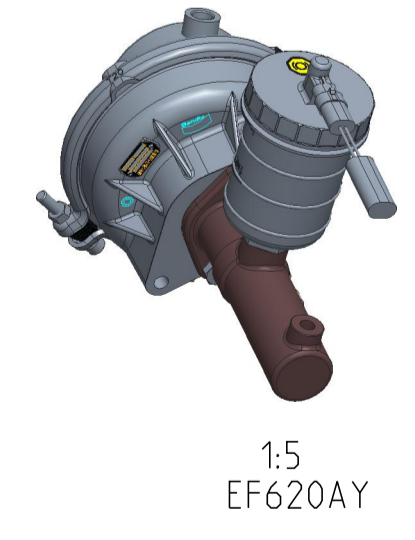
This product or component is suitable for the specific application or application type defined herein and is not suitable for any other applications.

Identification label content



Maximum operating pressure 7 bar
 Temperature range -40°C +80°C
 Hydraulic cylinder bore 31.75 mm
 Displacement 39.8 cm³
 Brake fluid DOT3 / DOT4

Graphic symbol DIN ISO 1219



015	CR060168 - new reservoir	25.03.2021	KonP	EF620AY
014	Thread deepness corrected CR037452	3.11.2015	Stribny	
013	BC length correction CR035507	18.5.2015	Stribny	
012	dimensional corrections	11.12.2014	Stribny	
Rev. 1	Revision Reference	Date	Name	
Numbers of described parts:	ISO 128-30	Special Characteristics:	0 [S/C] Surface Treatment: Length Unit: mm Scale: 1:1	
or	First Angle Proj.	Tolerancing Principle	0 [C/C] Material: -x- Weight: 4.79 kg	
See Table 1	General Tolerances	Made from:		
CAD Model No.:	EF620AY	Material:		
	CAD Sys.: Creo 4.0 Format A1	Material:		Type 20 Air Hydraulic Actuator with MC19
Systemy pro užitkovou vozidla CR s.r.o.	Responsible Dept./Team HDA1	Material:		
	Drawn 10.12.2014 Stribny	Material:		
	Release Process Documentation in EDM, Level and Status Information in Watermark.	Material:		Drawing Number: DYS565
Knorr-Bremse Group		Material:		Doc-Type: ID Language: EN
		Material:		Draw-Rev: 015
		Material:		Sheet 1 of 1