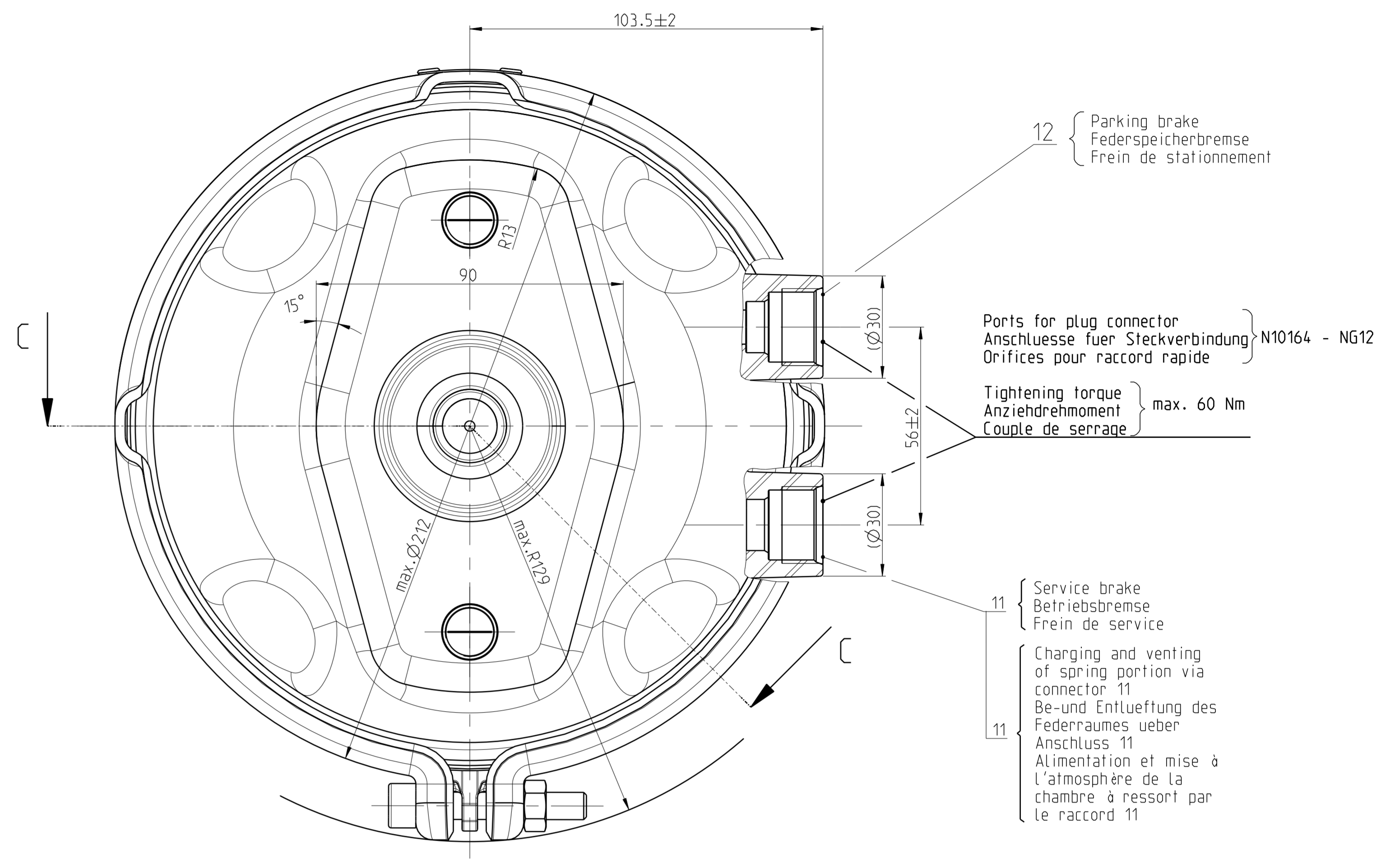
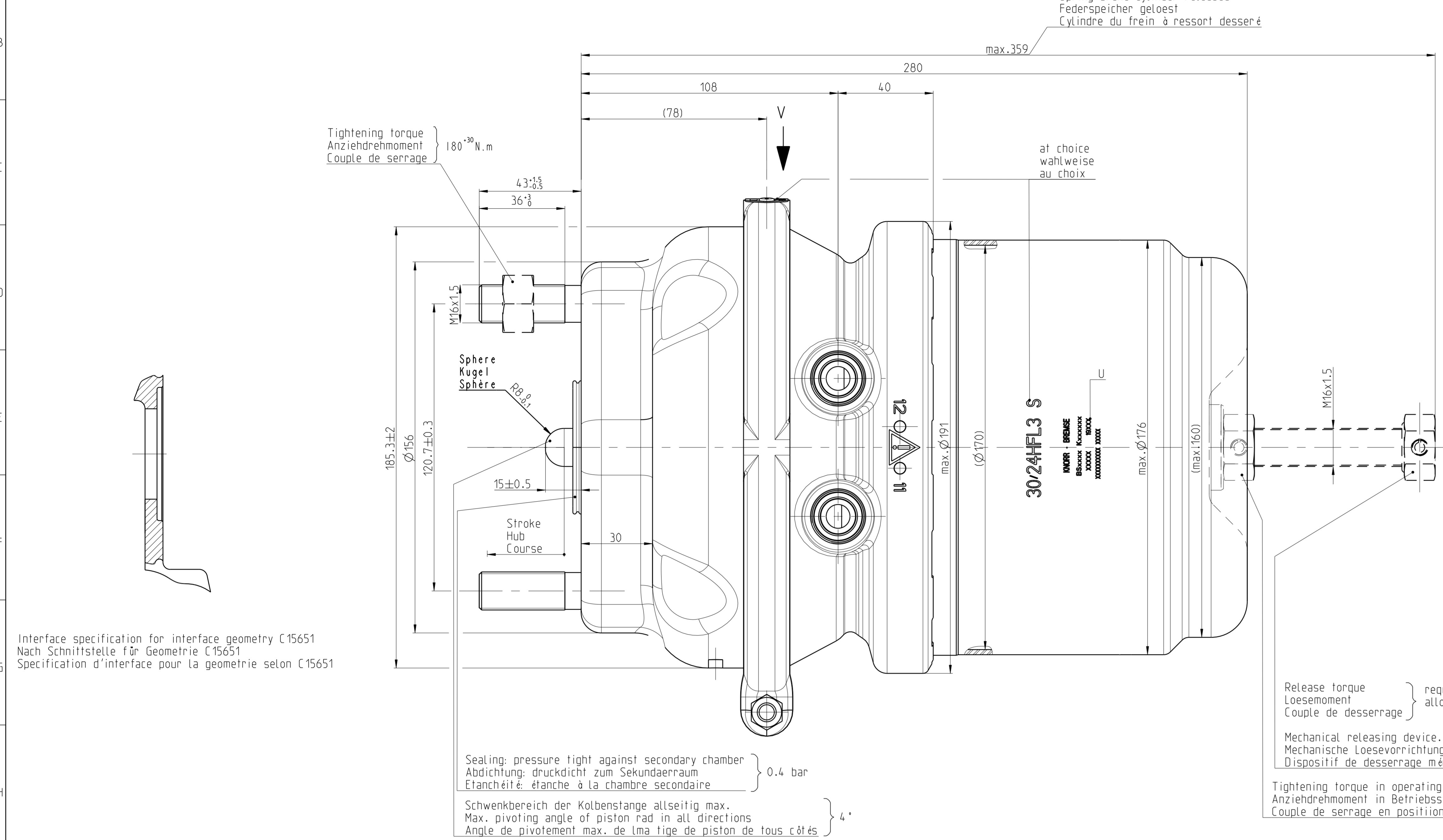
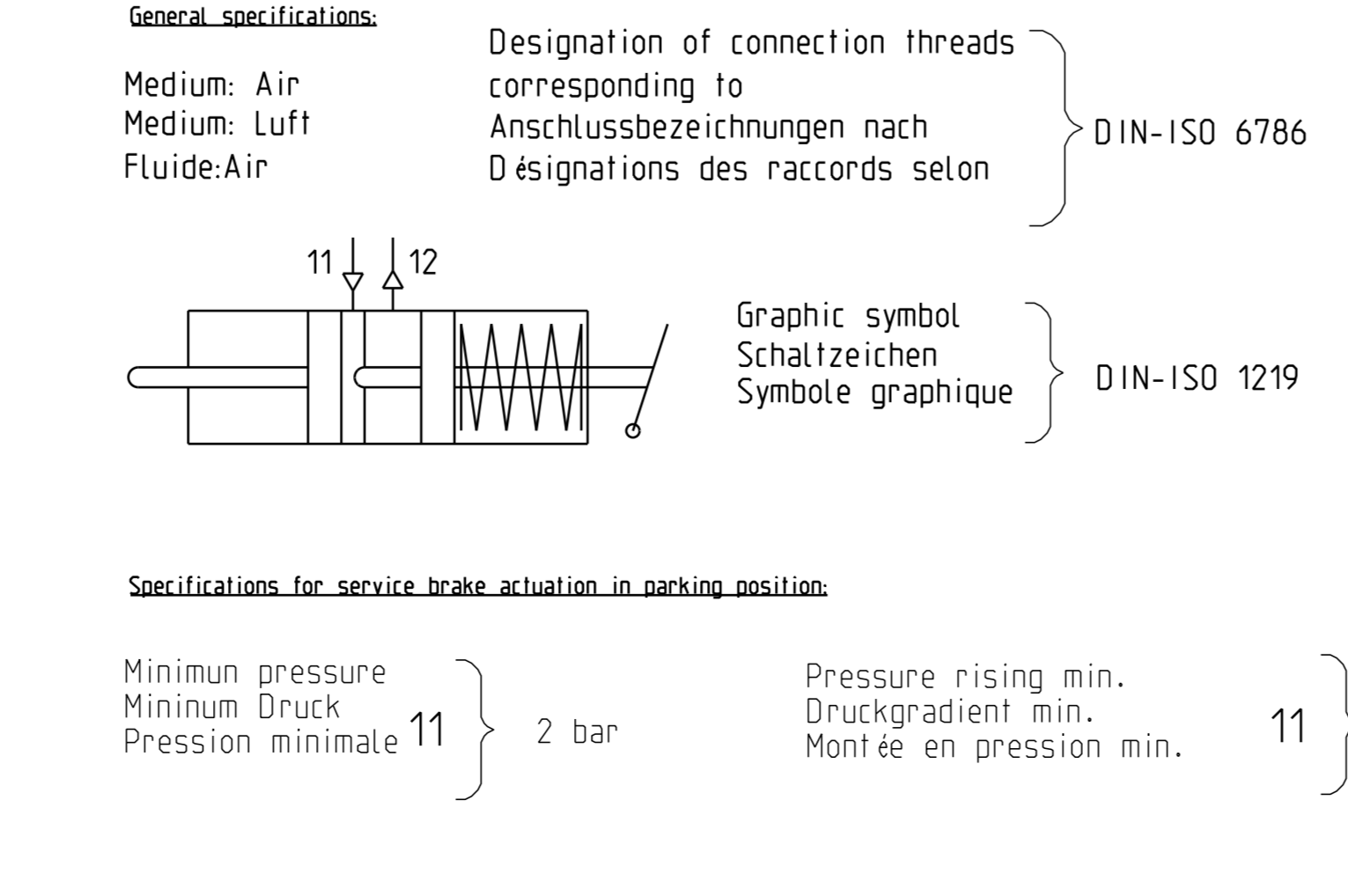
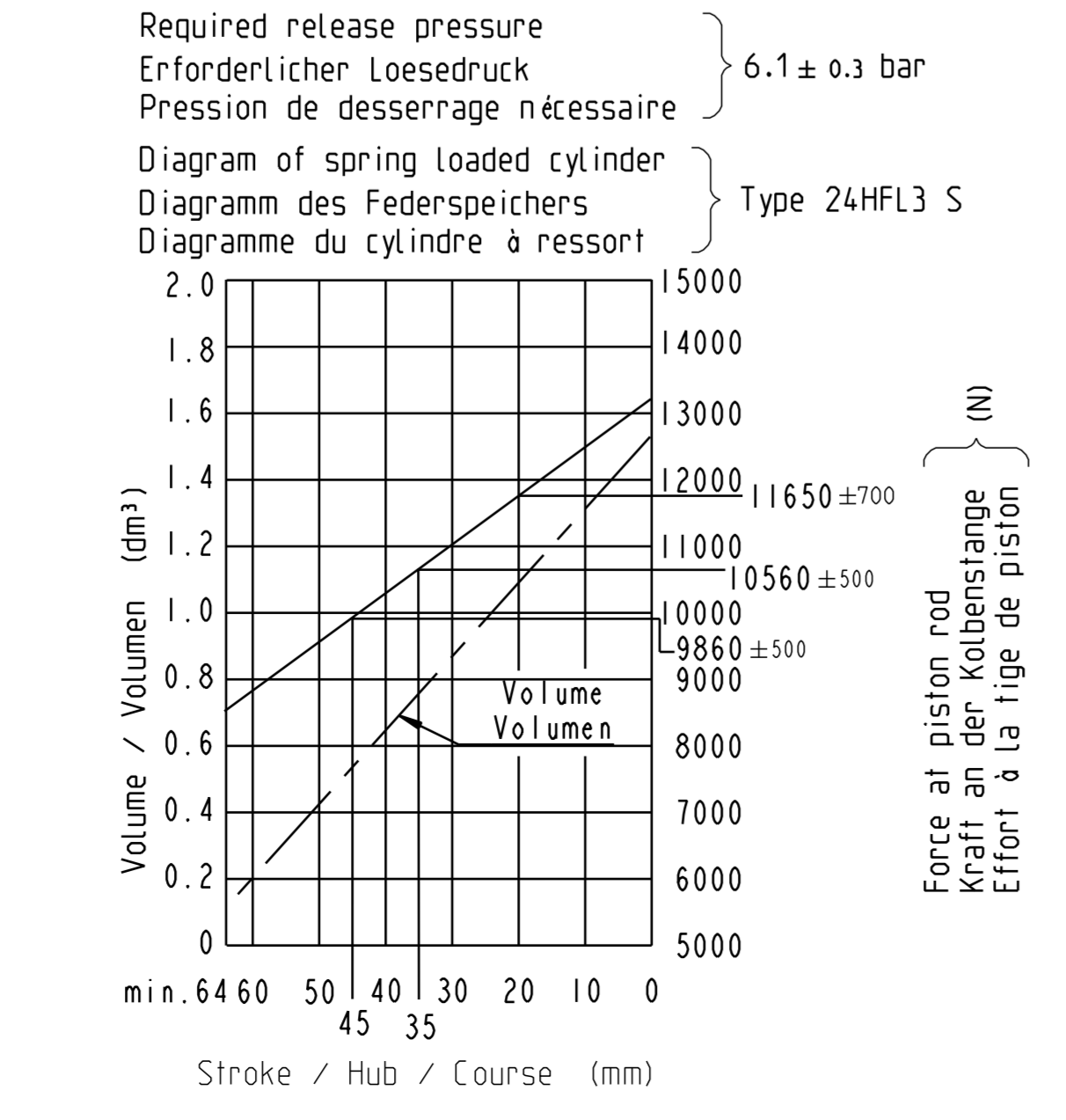
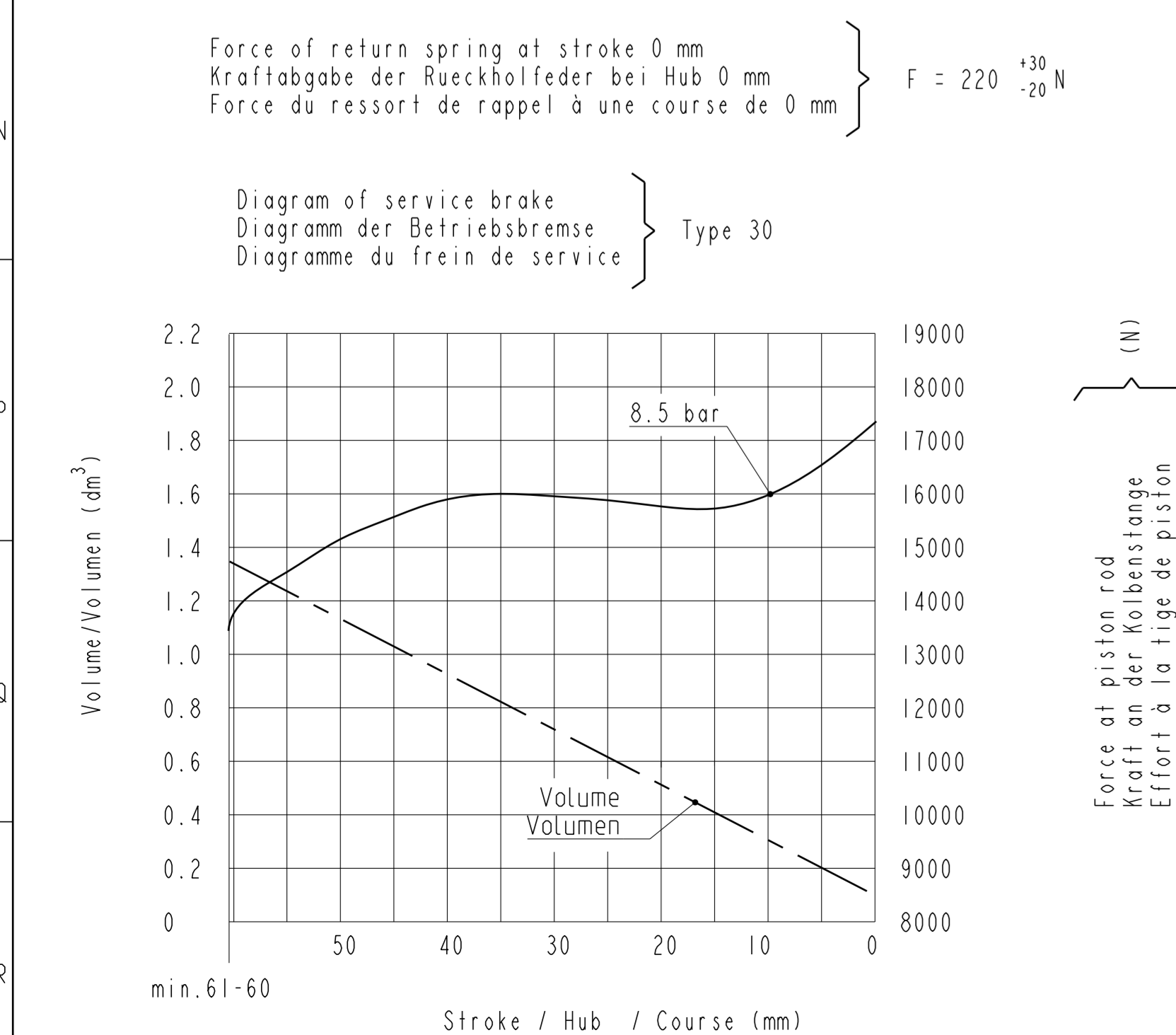
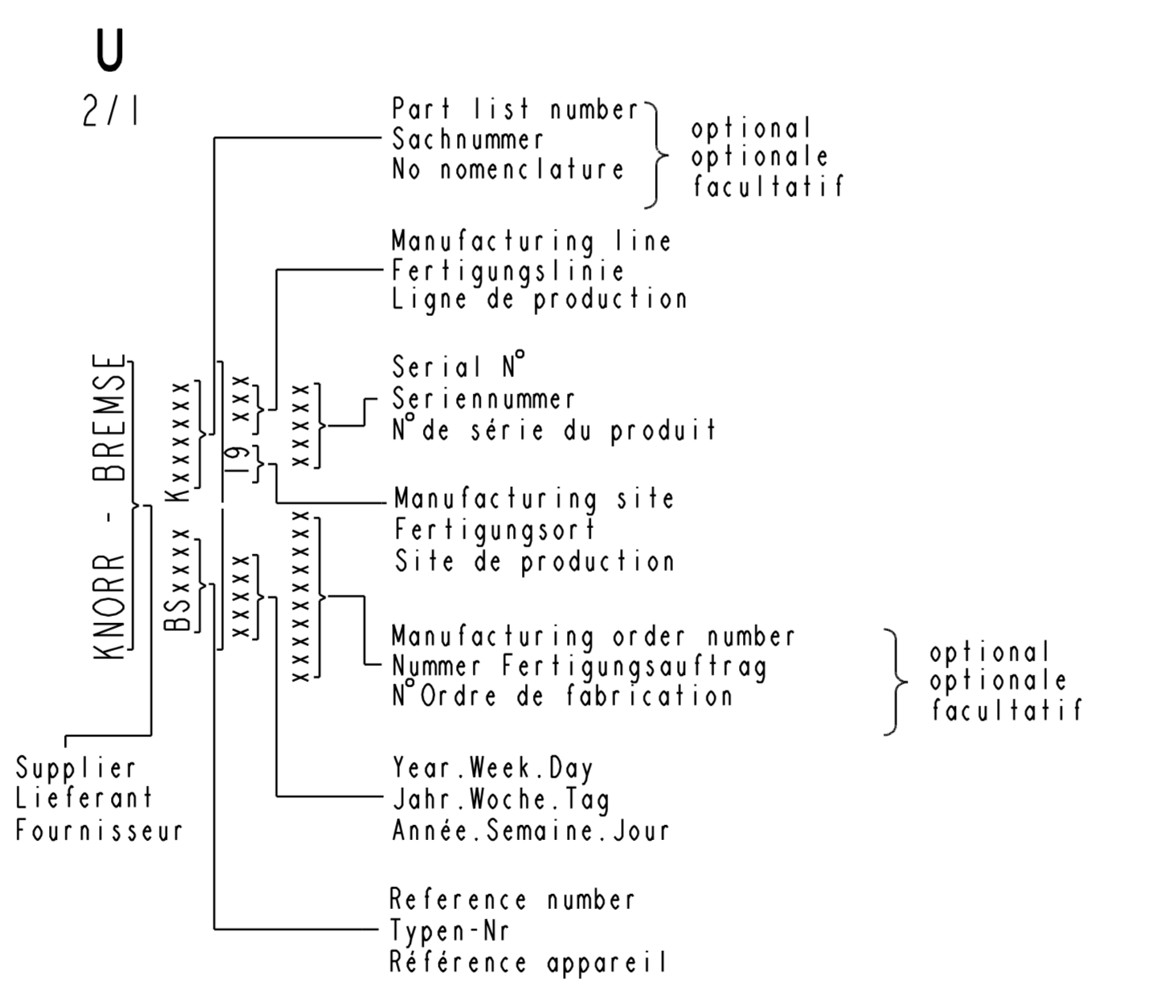
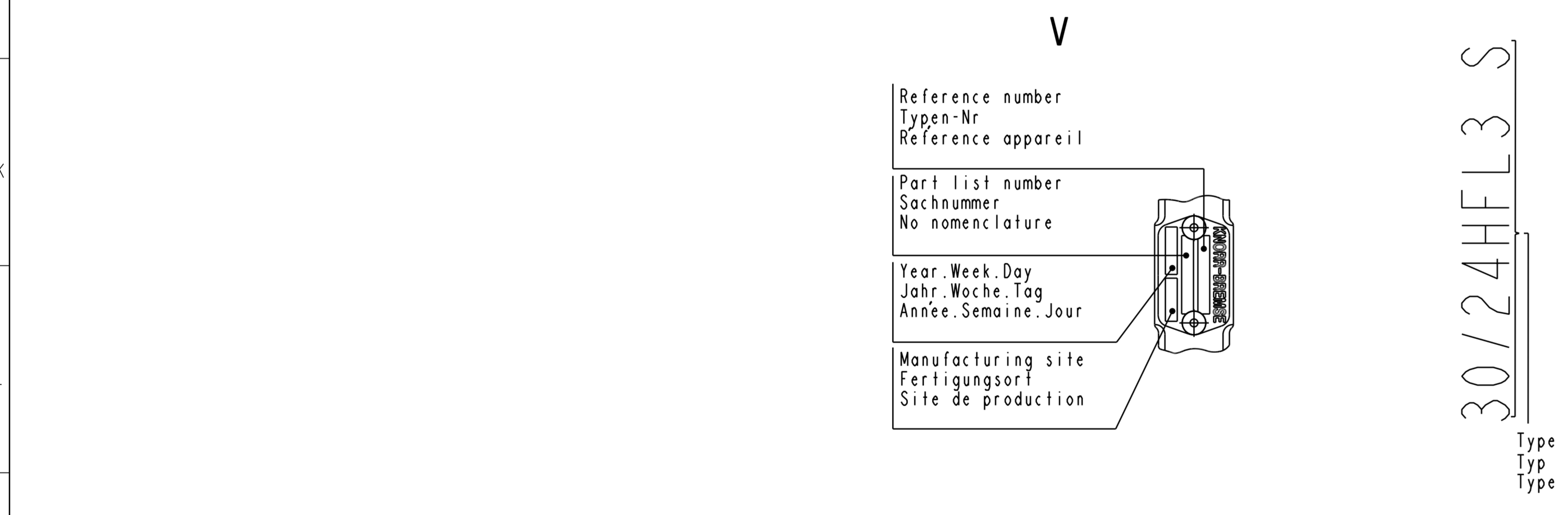


| | | |
|----------------------------------------|-------------------------------------------------------------------------------|---------------|
| Tolerances Tolerances Tolerances | Nominalmasse in [mm] Nominal dimensions in [mm] Cotes nominales en [mm] | [mm] |
| < 6 = 30 | > 30 = 80 | > 80 = 120 |
| > 120 = 315 | > 315 | |
| ±0.5 | ±1 | ±1.5 |
| | ±2 | ±2.5 |
| | ±3 | ±2.5° |

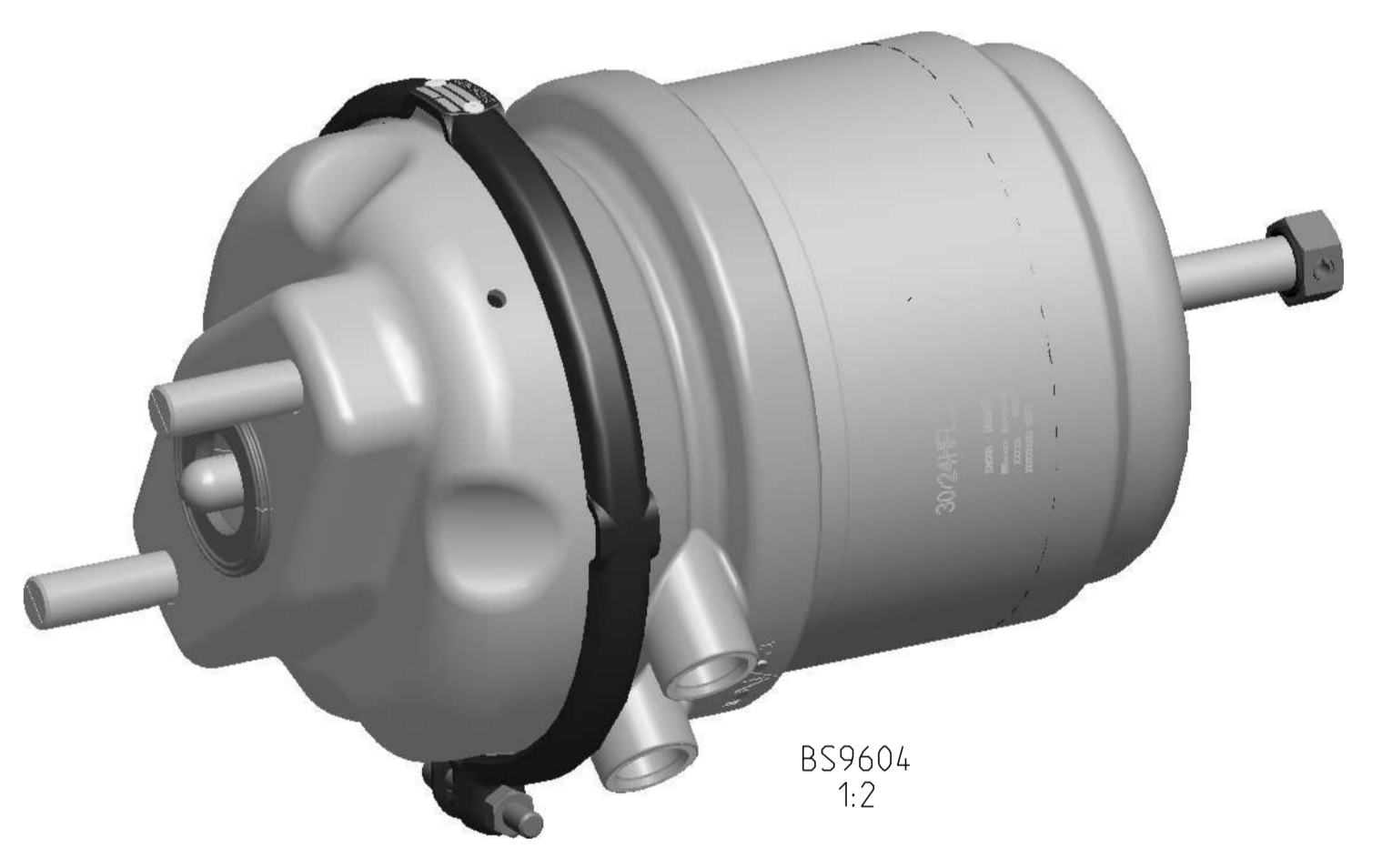
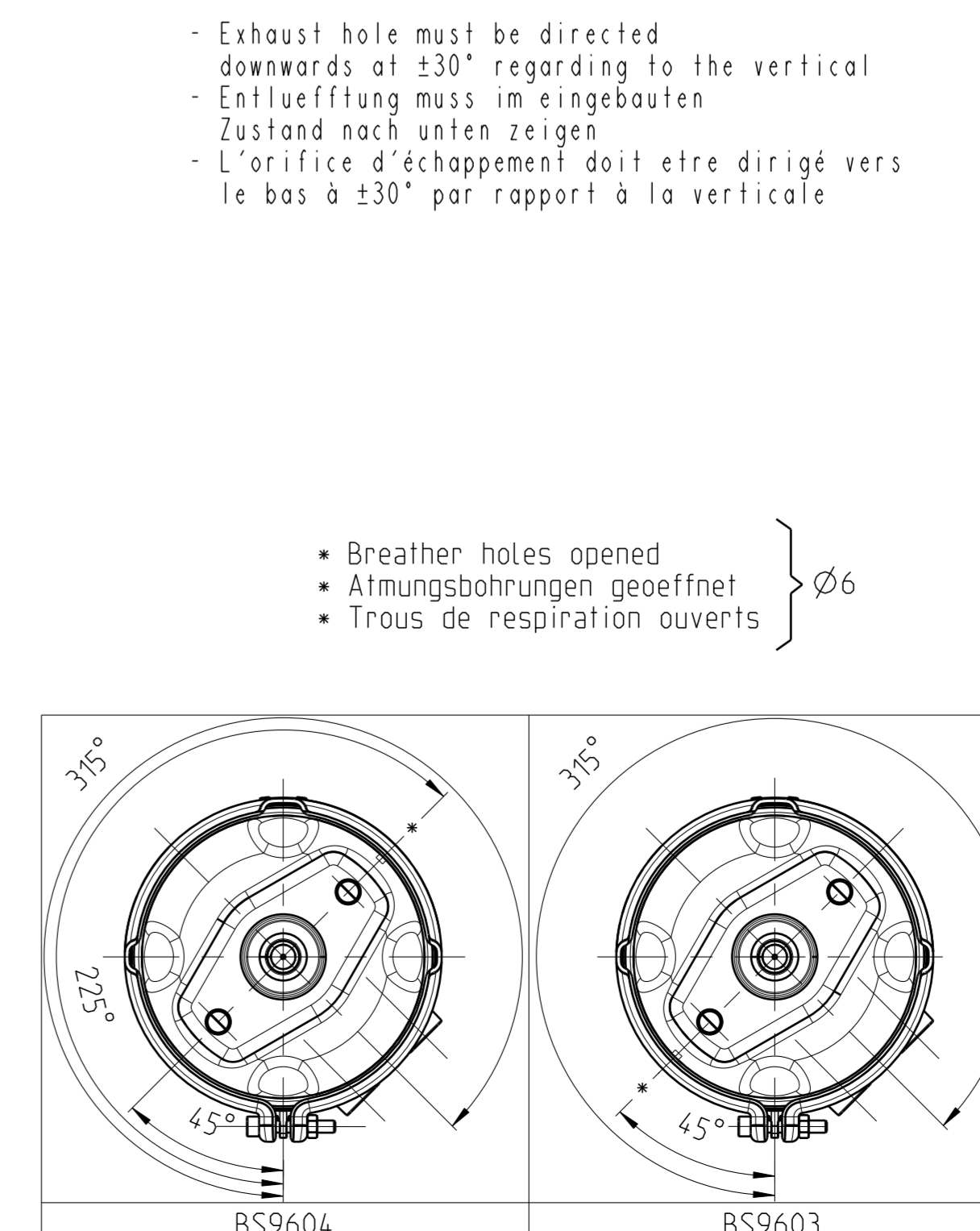
- General presentation, exact orientation of the components, see below.
- Allgemeine Darstellung, fuer genaue Teilorientierung, siehe Ansicht unten.
- Présentation générale, orientation exacte des pièces, voir vue en bas.



Interface specification for interface geometry C15651
Nach Schnittstelle für Geometrie C15651
Specification d'interface pour la géométrie selon C15651



Critical uses specifications without part failure:
Max. pressure: 11 } 13 bar
Max. pressure: 12 } 11 bar
Temperature range: -40°C to +80°C



| | | | |
|------------------------------------------------|--------------------------------------|---------------------------------------------------------------------|---------------------------------|
| BS9604 - K045826N00 | Right, Rechts, Drite | | 9.1 |
| BS9603 - K045825N00 | Left, Links, Gche | | 9.1 |
| KB-Ref.number KB-Bestell-Nr KB-No de ref | Ausfuhrung Execution Exécution | Customer's ref. no. Kundenbestell-Nr. KZ No. de ref du client | Gewicht Weight Masse (kg) |
| Type 30/24HFL3 S | | | |
| 002 | 04037537 | 20/01/2016 | BS |
| 001 | 04036551 | 20/11/09 | SS |
| 000 | 1ere diffusion | 30/10/09 | A50 |
| Revision reference | | | |
| ISO 128-30 | | | |
| Special Characteristics | | | |
| Surface Treatment | | | |
| Length mm Scale: 1:1 | | | |
| Weight See Table K2 | | | |
| First Angle Proj. | | | |
| General Tolerances ISO 2768 - m4 | | | |
| Material | | | |
| Drawing Number | | | |
| Drawing Scale | | | |
| Drawing Date | | | |
| Drawing Status | | | |
| Drawing Language | | | |
| Sheet 1 of 1 | | | |