

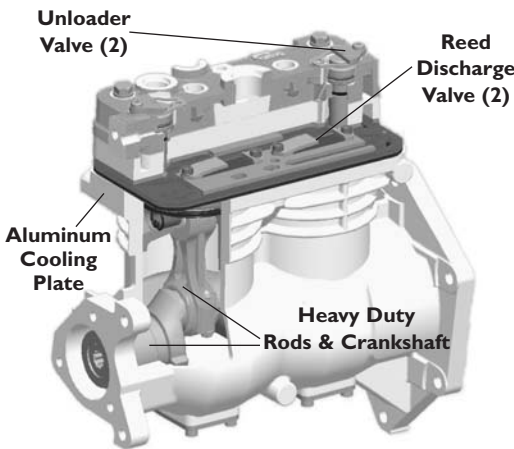


Bendix® BA-922® Air Compressor Upgrade for Detroit Diesel® Series 50 and Series 60

Ideally Suited for Transit Vehicles

Today's more sophisticated transit vehicles mean increased compressed air requirements. And when you need maximum air delivery, the Bendix® BA-922® "Big Twin" air compressor is for you.

The Bendix BA-922 model recharges the air system quickly and efficiently, even at low speeds, making it ideal for the constant starts, stops, and lifting that are an everyday part of transit vehicle operation. The result is greater air supply, along with these outstanding features:



- **Outstanding Air Delivery, Minimal Footprint** – 32 cfm @ 1250 rpm ensures quick and efficient air recharge in a more compact and lighter 2-cylinder package
- **Heavy Duty Cast Crank & Connecting Rods** – Superior design and construction allows increased thru-drive capacity... rated for a 25HP (125 ft•lbs) accessory
- **High Efficiency Cooling Systems** – Cooler discharge air temperatures increase air purity and the service life of **all** air brake components
- **Multi Layered Reed Valve** – Optimized air exchange during loading & unloading cycles
- **Standard North American Unloader Valve** – Eliminates any special valve requirements or hardware

Have a Series 50 or 60 Detroit Diesel engine and want to change over to a Bendix® BA-922® from your current Bendix® Tu-Flo® 750 or DuraFlo 596™ compressor? Simply refer to the chart below for the appropriate kit and reman compressor part number.

	Engine		
	Series 50 CNG	Series 50 Diesel Series 60 non-EGR	Series 50 Diesel Series 60 non-EGR
ECM Position	Not Applicable	Rear	Side
Bendix® BA-922® Air Compressor Complete Retrofit Kit**	5013695X	5013695X	5013695X
	5015871	5016263	5016728
<i>Kit includes the following:</i>			
Compressor Fitting Kit	5016660	5016660	5016660
Plumbing Kit	5016661	5016661	5016661
CNG Only Kit	5016662	Not required	Not required
Diesel Only Kit	Not required	5016664	5016664
Rear Support Bracket Kit	5016663	5016663	5016663
ECM Relocation Kit	Not required	Not required	5016250

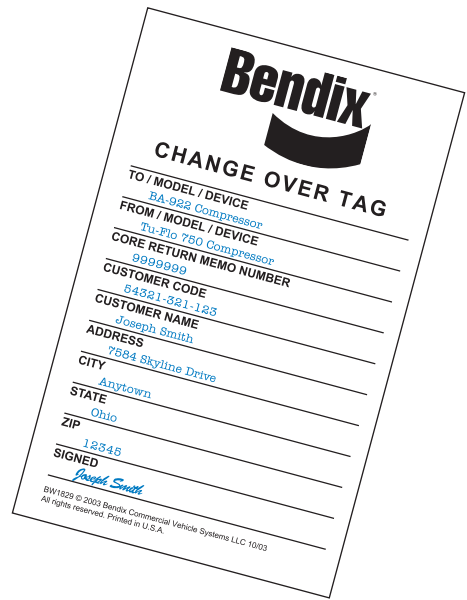
**Complete retrofit kit contains all of the detailed kits noted. It is not necessary to order individual kits unless applicable to your situation.

These changeover kits were developed for Series 50 and Series 60 transit applications; however, they may also be suitable for other applications. Each kit contains complete instructions and photos. Due to the various installation alternatives, additional hardware may be needed.

Core Returns Made Easy

A genuine Bendix® Tu-Flo® 750 or DuraFlo 596™ compressor core will be accepted in place of a Bendix® BA-922® compressor core as long as the returned core is identified with the Bendix changeover core tag BW1829. Only cores with the required tag will ensure Bendix can accurately and promptly process your return. Please refer to your Bendix core handbook for additional details.

When completing a changeover to the Bendix BA-922 reman air compressor (part number 5013695X), refer to the replaced compressor models and part numbers in the chart below. These are the only valid cores that will be accepted.



To complete a changeover to the Bendix® BA-922® compressors:	Engine
	Series 50 Diesel/ Series 60 non-EGR
Valid Bendix part numbers for the compressor model being replaced	Bendix® Tu-Flo® 750: 65260, 800394, 107812, 107813X, 107783, 109426, 5004083, 5004187X, 5005934, 5008610, 5009746
	Bendix® DuraFlo 596™: 800595, 5004416, 5004417, 5005875X, 5005920, 5011086
Valid Detroit Diesel part numbers for the compressor model being replaced	Bendix® Tu-Flo® 750: 23509780, 23522123, R23509780, R23522123
	Bendix® DuraFlo 596™: 23524143, R23524143

Bendix® BA-922® Compressor Specifications¹

Typical Weight ²	64 lbs. (29 kg.)
Number of cylinders	2
Swept air displacement @ 1,250 rpm	31.6 cfm
Maximum recommended rpm	3,000
Loaded HP required @ 1,250 rpm	6 hp
Unloaded HP required @ 1,250 rpm	2 hp
Thru-drive capacity ²	25 hp
Size (H x W x L) in inches ³	13.2 x 8.0 x 12.6
Compressor inlet maximum turbocharge boost (psig)	0 psig (Naturally Aspirated)

- ¹ Reference BW-121-A for the complete list of Bendix® BA-922® Compressor application requirements to ensure optimum operation.
- ² Indicates an application specific feature.
- ³ Measurements are taken the following way: Height, crankshaft centerline to top of cylinder head; Width, either widest section of cylinder head or crankcase belly; Length, between flange faces.
- Note: All references to RPM are for the compressor operation.

Bendix is the only original equipment supplier to Detroit Diesel for the Series 50 and Series 60 engines. Bendix is the only authorized manufacturer of new and remanufactured Tu-Flo® 750, DuraFlo 596™, and BA-922® air compressors.

Bendix Air Compressors. The Power That Keeps You On The Road. The Value That Keeps You Coming Back.

For more information about the Detroit Diesel Series 50 and Series 60 changeover program, or the full range of Bendix air compressors, talk to your Bendix Account Manager, call 1-800-AIR-BRAKE or visit www.bendix.com today.

