

Function

When fitted in conjunction with a toothed sensing ring (pole wheel), the passive **Wheel Speed Sensor** supplies the ECU of the vehicle's ABS with precise wheel speed information.

The Wheel Speed Sensor is available in various cable lengths and is supplied with a standard two pin socket for connection directly to the brake module or to a sensor extension cable (see PD-272-010, Document No. Y095697, PD-272-020, Document No. Y107795, PD-272-025, Document No. Y142784 or PD-272-250, Document No. Y209441).

The Wheel Speed Sensor is held in the mounting hole on the axle by the sensor bush. When fitting a new sensor always fit a new bush.



Note:

The bush may not be supplied with the sensor (see table below).

Technical Features

Operating Temperature Range:

Speed Sensor	-40 °C to +160 °C
Cable	-40 °C to +160 °C
Plug	-40 °C to +80 °C

Range Overview

Part No.	Type No.	Length [m]	90° Sensor	Straight Sensor	Bush and Grease
K144126N49	-	0.4	✓		
K144128N49	-	1.0	✓		
K144294N49	-	1.5	✓		
K144129N49	-	2.0	✓		
K144126K50	-	0.4	✓		✓
K144128K50	-	1.0	✓		✓
K144294K50	-	1.5	✓		✓
K144129K50	-	2.0	✓		✓
K145032N49	-	0.3		✓	
K145033N49	-	1.0		✓	
K145066N49	-	1.7		✓	
K145087N49	-	2.0		✓	
K145032K50	-	0.3		✓	✓
K145033K50	-	1.0		✓	✓
K145066K50	-	1.7		✓	✓
K145100K50	-	2.5		✓	✓

Other versions may be available.

Additional Parts:

Sensor Bush:

Beryllium Copper	II16774 ¹⁾
Stainless steel	K115645 ²⁾

Assembly Grease:

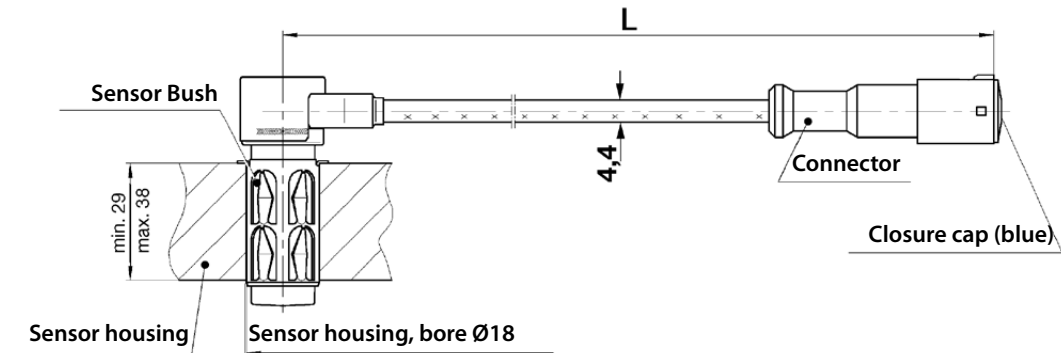
I90693

1) Sensor Bush II16774 will be available until all stock is depleted and then it will be replaced by K115645N00.

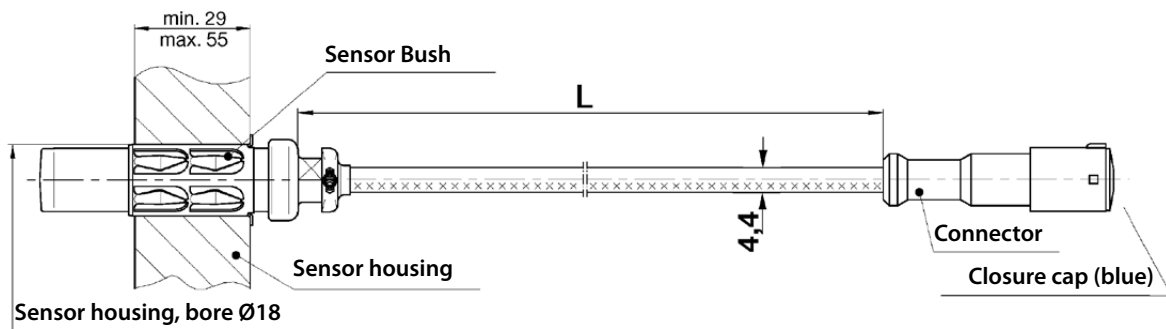
2) Will carry the suffix N00 which denotes that it is supplied without packaging.

Dimensions

90° Sensor



Straight Sensor



Installation

The Wheel Speed Sensor must be inserted into a suitably sized housing using a Sensor Bush and the correct grease. The cable must be supported to prevent damage with suspension and steering movement.

Note:

The head of the Wheel Speed Sensor may be immersed in oil.

Servicing

Wheel Speed Sensors are not serviceable.

Revision Details

Rev. 005	January 2019	New Layout



Knorr-Bremse Group

Knorr-Bremse Systems for Commercial Vehicles

Moosacher Strasse 80 | 80809 Munich | Germany
 Tel: +49 89 3547-0 | Fax: +49 89 3547-2767
 WWW.KNORR-BREMSECVS.COM

Note

All information is subject to change. A printed version of this document may therefore not correspond to the latest revision. To obtain the latest version, please visit our website www.knorr-bremseCVS.com or contact a Knorr-Bremse representative in your area.

If service work is carried out on a vehicle based on information provided herein, it is the responsibility of the workshop to ensure the vehicle is fully tested and in full functional order before the vehicle is returned into service. Knorr-Bremse accepts no liability for problems caused as a result of appropriate tests not being carried out.

Copyright © Knorr-Bremse AG

All rights reserved, including industrial property rights applications. Knorr-Bremse AG retains any power of disposal, such as for copying and transferring.

Up-to-date information on our products can be found on our website www.knorr-bremseCVS.com

Disclaimer

The information contained herein is intended for the exclusive use of trained persons within the commercial vehicle industry, and must not be passed on to any third party. All recommendations regarding products and their servicing or usage are with reference to Knorr-Bremse products and should not be considered applicable to products from other manufacturers.

This information does not purport to be all-inclusive and no responsibility is assumed as a result of its use. We cannot accept any liability nor offer any guarantee regarding data accuracy, completeness or timeliness.

The information does not represent any guarantee or ensured characteristics of the Products or Systems described. No liability can be accepted based on the information, its use, recommendations or advice provided. In no event may we be held liable for any damage or loss except in the case of wilful intent or gross negligence on our part, or if any mandatory legal provisions apply.

This disclaimer is an English translation of a German text, which should be referred to for all legal purposes. Any legal disputes arising from the use of this information shall be subject to German law.