

AlliedSignal

Bendix[®]

Truck Products

























Quality
remanufactured
valves

Inside Front Cover

INTRODUCTION

Table of Contents	1 – 3
Part Number to Page Index	4 – 5
General Information	6

RELAY VALVES

Kelsey Hayes		7
Midland/Berg	 	7 – 8
Midland	      	8 – 12
Midland/Wagner	    	12 – 14
Sealco	      	15 – 18

RELAY EMERGENCY VALVES

Midland/Berg		19
Midland		20
Midland/Wagner		20
Sealco	  	21 – 22

Table of Contents

TRAILER SPRING BRAKE VALVES

Midland/Berg



23

Midland/Wagner



23 – 25

Sealco



25 - 26

TRACTOR SPRING BRAKE VALVES

Midland



26

TRACTOR PROTECTION VALVES

Midland



27 – 28

FOOT OPERATED VALVES

Midland



29

Sealco



30

TRANSMISSION VALVES

Fuller



31 – 32

MISCELLANEOUS VALVES

Neway



33

Sloan



33

Cummins



34

ADDITIONAL INFORMATION

Minor Maintenance Kit Cross Reference	35 – 36
Product Warranty	37
Sample Core Return Memo	38

Part Number to Page Index



Part Number	Model	Description	Core Class/Device	Core Group	Weight (lbs.)	Minor Maint. Kit	Catalog Page No.
3100X	Sealco	Mini-Relay Valve	VM-10348	W3	3	VK1006S	15
5457X	Kelsey	Relay Valve	VR-10368	W8	2	VK1000K	7
5461X	Kelsey	Relay Valve	VS-10372	W9	2	VK1000K	7
5462X	Kelsey	Relay Valve	VS-10372	W9	2	VK1000K	7
5470X	Kelsey	Relay Valve	VR-10370	W8	2	VK1000K	7
9125X	Sealco	Relay Valve	VN-10350	W4	4	VK1007S	16
12343X	Mid/Berg	Relay Valve	VL-10342	W2	2	VK1020B	7
12345X	Mid/Berg	Relay Valve	VL-10344	W2	2	VK1019B	8
12346X	Mid/Berg	Relay Valve	VL-10346	W2	2	VK1019B	8
12350X	Mid/Berg	Relay Valve	VX-10384	X5	3	N/A	19
12360X	Mid/Berg	TASK Valve	VZ-10388	X7	3	VK1021B	23
12361X	Mid/Berg	TASK Valve	VZ-10388	X7	3	VK1021B	23
10005AX	Sealco	Cartridge	WJ-10414	Y8	1	VK1001S	22
110139X	Sealco	Relay Valve	VO-10354	W5	5	VK1008S	17
110147X	Sealco	Ratio Relay Emergency Valve	VT-10374	X1	5	VK1008S	25
110170X	Sealco	Ratio Relay Emergency Valve	VU-10376	X2	4	VK1009S	25
110171X	Sealco	Ratio Relay Emergency Valve	VU-10376	X2	4	VK1009S	25
110191X	Sealco	Ratio Relay Emergency Valve	VU-10376	X2	4	VK1009S	25
110197X	Sealco	Trailer Relay Valve	VN-10352	W4	4	VK1007S	16
110200X	Sealco	Ratio Relay Emergency Valve	VO-10356	W5	7	VK1010S	21
110205X	Sealco	Ratio Relay Emergency Valve	VO-10356	W5	7	VK1010S	21
110267X	Sealco	Relay Emergency Valve	VO-10358	W5	6	VK1010S	21
110310X	Sealco	Ratio Relay Emergency Valve	VU-10376	X2	4	VK1009S	25
110315X	Sealco	Ratio Relay Emergency Valve	VU-10376	X2	4	VK1009S	25
110338X	Sealco	Relay Emergency Valve	VO-10358	W5	6	VK1010S	21
110360X	Sealco	LOV (Low Opening Valve)	VP-10360	W6	3	VK1011S	17
110375X	Sealco	LOV-CF Control Line Valve	VP-10362	W6	3	VK1011S	15
110380X	Sealco	LOV (Low Opening Valve)	VQ-10366	W7	3	VK1011S	18
110400X	Sealco	Dual Circuit Foot Valve	VC-10306	V3	4	N/A	30
110410X	Sealco	LOV (Low Opening Valve)	VP-10360	W6	3	VK1011S	17
110415X	Sealco	LOV (Low Opening Valve)	VQ-10364	W7	3	VK1011S	18
401033X	Sloan	Push Pull Dash Valve	WK-10416	Y9	2	N/A	33
401037X	Sloan	Push Pull Dash Valve	WK-10416	Y9	2	N/A	33
6997312X	Cummins	Fuel Solenoid Valve	WQ-10428	Z6	1	N/A	34
6997324X	Cummins	Fuel Solenoid Valve	WQ-10428	Z6	1	N/A	34
90054007X	Neway	Leveling Valve	WL-10418	Z1	2	VK1003N	33
A1000X	Sealco	Relay Emergency Valve	WI-10412	Y7	6	VK1012S	22
A3546X	Fuller	Shift Valve	WM-10420	Z2	1	VK1004F	31
A3547X	Fuller	Range Selector Valve	WN-10422	Z3	4	VK1005F	31
A3991X	Fuller	Range Selector Valve	WO-10424	Z4	4	VK1005F	32
A4668X	Fuller	Range Selector Valve	WP-10426	Z5	4	VK1005F	32
A80070X	Mid/Wagner	RS Relay Valve	VK-10336	W1	3	VK1026W	13
A85490X	Mid/Wagner	RG-4 Tandem Relay Valve	VK-10338	W1	4	VK1024W	13
A85493X	Mid/Wagner	RG-4 Tandem Relay Valve	VK-10338	W1	4	VK1024W	13
A86473X	Mid/Wagner	RF Relay Valve	VJ-10332	V9	3	VK1022W	14
A86477X	Mid/Wagner	RF Relay Valve	VJ-10332	V9	3	VK1022W	14
A88802X	Mid/Wagner	RT Valve	WA-10390	X8	3	VK1027W	24
A88812X	Mid/Wagner	RT Valve	WA-10390	X8	3	VK1027W	24
A97600X	Mid/Wagner	RS-2 Tandem Relay Valve	VK-10340	W1	4	VK1024W	14
A98730X	Mid/Wagner	RT-2 Valve	WB-10392	X9	3	VK1027W	24
A99370X	Mid/Wagner	RT-2 Valve	WB-10392	X9	3	VK1027W	24
A103600X	Mid/Wagner	RF Relay Valve	VJ-10334	V9	3	VK1022W	14

Part Number to Page Index

Part Number	Model	Description	Core Class/Device	Core Group	Weight (lbs.)	Minor Maint. Kit	Catalog Page No.
KN22100X	Midland	Single Circuit Foot Valve	VA-10300	V1	2	VK1014M	29
KN22140X	Midland	Dual Circuit Foot Valve	VB-10302	V2	2	VK1017M	29
KN22150X	Midland	Dual Circuit Foot Valve	VB-10304	V2	3	VK1017M	29
KN26000X	Mid/Wagner	RT-4 Spring Brake Valve	VY-10386	X6	5	VK1025W	23
KN26010X	Mid/Wagner	RT-4 Spring Brake Valve	VY-10387	X6	5	VK1025W	23
KN28010X	Midland	Relay Valve	VE-10308	V4	3	VK1013M	8
KN28011X	Midland	Relay Valve	VE-10310	V4	3	VK1013M	8
KN28030X	Midland	Inversion Valve	WE-10398	Y3	2	N/A	26
KN28060X	Midland	Relay Valve	VF-10312	V5	3	VK1016M	10
KN28061X	Midland	Relay Valve	VF-10314	V5	3	VK1016M	10
KN28065X	Midland	Relay Valve	VF-10316	V5	3	VK1016M	9
KN28071X	Midland	Relay Valve	VH-10322	V7	3	VK1016M	9
KN28080X	Midland	Relay Valve	VF-10318	V5	3	VK1016M	12
KN28085X	Midland	Relay Valve	VF-10318	V5	3	VK1016M	12
KN28130X	Midland	Relay Valve	VG-10320	V6	3	VK1016M	11
KN28131X	Midland	Relay Valve	VH-10324	V7	3	VK1016M	10
KN28132X	Midland	Relay Valve	VF-10314	V5	3	VK1016M	10
KN28140X	Midland	Relay Valve	VH-10324	V7	3	VK1016M	9
KN28300X	Midland	FAB (Fast Air & Balancing) Valve	VF-10314	V5	3	VK1016M	11
KN28500X	Mid/Wagner	RG-2 Relay Valve	VI-10326	V8	2	VK1023W	12
KN28510X	Mid/Wagner	RG-2 Relay Valve	VI-10328	V8	2	VK1023W	12
KN28520X	Mid/Wagner	RG-2 Relay Valve	VI-10330	V8	2	VK1023W	12
KN28600X	Mid/Wagner	FF2 Full Function Valve	UA-10429	U1	3	N/A	25
KN30010X	Midland	Relay Emergency Valve	VW-10378	X4	5	VK1015M	20
KN30100X	Mid/Wagner	Relay Emergency Valve	VV-10380	X3	3	VK1022W	20
KN30200X	Mid/Wagner	Relay Emergency Valve	VV-10382	X3	3	VK1022W	20
KN30300X	Mid/Wagner	Relay Emergency Valve	VV-10380	X3	3	VK1022W	20
KN30400X	Mid/Wagner	Relay Emergency Valve	VV-10382	X3	3	VK1022W	20
KN32040X	Midland	Quick Release Valve	WD-10396	Y2	1	VK1018M	26
KN34030X	Midland	Tractor Protection Valve	WG-10402	Y5	2	VK1002M	27
KN34050X	Midland	Tractor Protection Valve	WG-10404	Y5	2	VK1002M	27
KN34060X	Midland	Tractor Protection Valve	WF-10400	Y4	2	N/A	28
KN34070X	Midland	Tractor Protection Valve	WG-10406	Y5	2	VK1002M	27
KN34080X	Midland	Tractor Protection Valve	WH-10408	Y6	2	N/A	28
KN34090X	Midland	Tractor Protection Valve	WH-10410	Y6	3	N/A	28

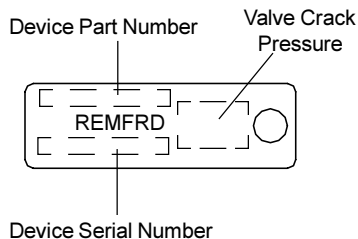
Minor Maintenance Kits

(Reference "Minor Maintenance Repair Kit Cross Reference") 35–36

VK1000K	VK1007S	VK1014M	VK1021B
VK1001S	VK1008S	VK1015M	VK1022W
VK1002M	VK1009S	VK1016M	VK1023W
VK1003N	VK1010S	VK1017M	VK1024W
VK1004F	VK1011S	VK1018M	VK1025W
VK1005F	VK1012S	VK1019B	VK1026W
VK1006S	VK1013M	VK1020B	VK1027W

General Valve Information

Valve Identification Tag



A metal identification tag is attached to each valve. The tag is secured to the valve using one of the assembly cap screws or bolts. The part number and serial number of the device is stamped into the metal tag in the area indicated. In most cases a crack pressure will also appear.

The part number displayed on the tag is the manufacturer's part number with the letter "X" added to the end to designate that the unit is remanufactured. The alpha numeric alpha serial number indicates the date and place of manufacture. The first letter indicates the month, A (January) through M (December) with the letter "I" not used. The first pair of digits indicate the day and the second pair the year. The last character represents the remanufacturing facility. For example, a tag bearing serial number, H1894X, was built August 18, 1994.

Disclaimer

The purpose of this AlliedSignal Bendix Truck Products Catalog is to provide a means for identification and replacement of the devices presented. AlliedSignal has made every effort to provide the most accurate data available for the products offered in this catalog, however in no case should the information presented be used for other than simple identification and replacement of like for like.

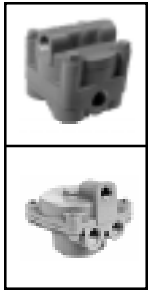
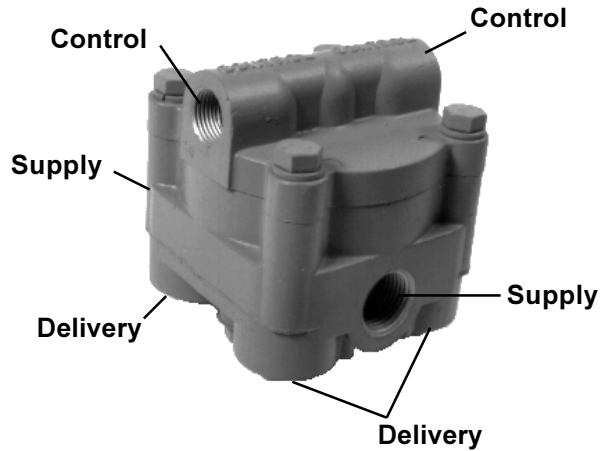
Photographs of representative device groupings are presented along with pertinent data to assist in visual identification. The original manufacture's published data, where available to AlliedSignal, was used to obtain device application, port sizing and location as well as pressure specifications. It should be noted that the device's original manufacturer may have model variations and updates that are not presented or explained in this catalog.

Kelsey Hayes
5457X, 5461X,
5462X, 5470X

2 & 4 Port Delivery

Used to apply and release service brakes on tractor or trailer.

5461X
Shown

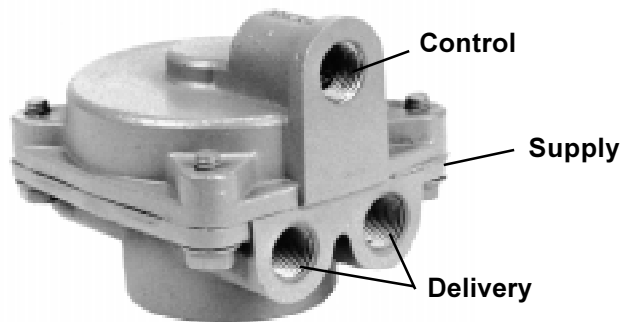


Part No.	Supply Ports		Delivery Ports	Control Ports	Crack Pressure	Wght.	Core Class	Core Grp.	Minor Maint. Kit	Comments
5461X	1 - 1/2" PT	1 - 3/4" PT	2 - 3/8" PT	2 - 3/8" PT	N/A	2 lbs.	VS	W9	VK1000K	Casting No. 998901
5462X	1 - 1/2" PT	-	2 - 3/8" PT	1 - 1/4" PT	N/A	2 lbs.	VS	W9	VK1000K	Casting No. 9995701
5457X	1 - 1/2" PT	1 - 3/4" PT	4 - 1/2" PT	2 - 3/8" PT	N/A	2 lbs.	VR	W8	VK1000K	Casting No. 9403501,2

Midland/Berg
12343X

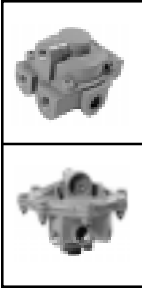
4 Port Delivery

Used to apply and release service brakes on tractor or trailer.



Part No.	Supply Ports	Delivery Ports	Control Ports	Crack Pressure	Wght.	Core Class	Core Grp.	Minor Maint. Kit	Comments
12343X	1 - 3/4" PT	4 - 3/8" PT	1 - 3/8" PT	N/A	2 lbs.	VL	W2	VK1020B	

Relay Valves

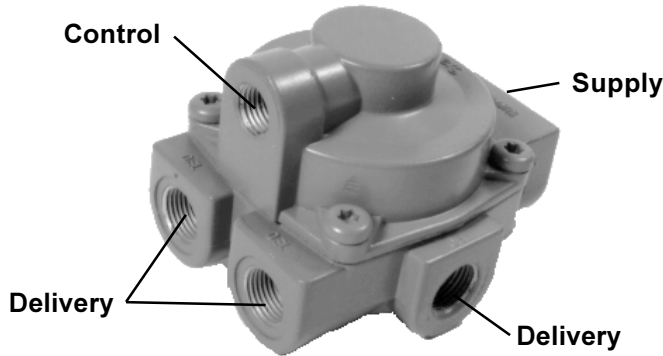


Midland/Berg 12345X, 12346X

2 & 4 Port Delivery

Used to apply and release service brakes on tractor or trailer.

**12345X
Shown**



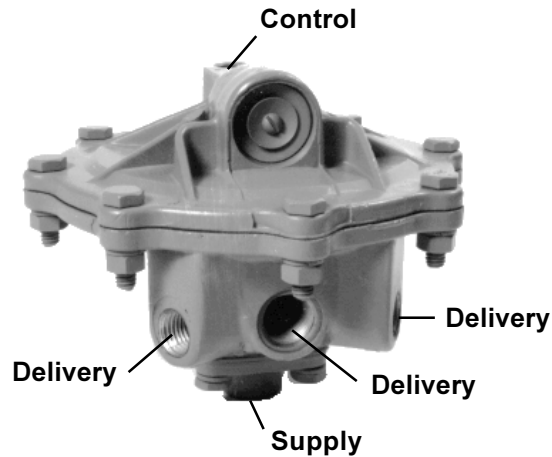
Part No.	Supply Ports	Delivery Ports	Control Ports	Crack Pressure	Wght.	Core Class	Core Grp.	Minor Maint. Kit	Comments
12345X	1 - 3/4" PT	4 - 3/4" PT	1 - 1/4" PT	N/A	2 lbs.	VL	W2	VK1019B	
12346X	1 - 1/2" PT	2 - 3/8" PT	1 - 1/4" PT	N/A	2 lbs.	VL	W2	VK1019B	

Midland KN28010X, KN28011X

3 Port Delivery

Used to apply and release service brakes on tractor or trailer.

**KN28010X
Shown**

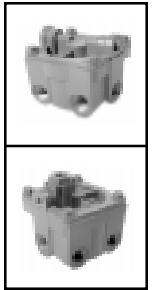
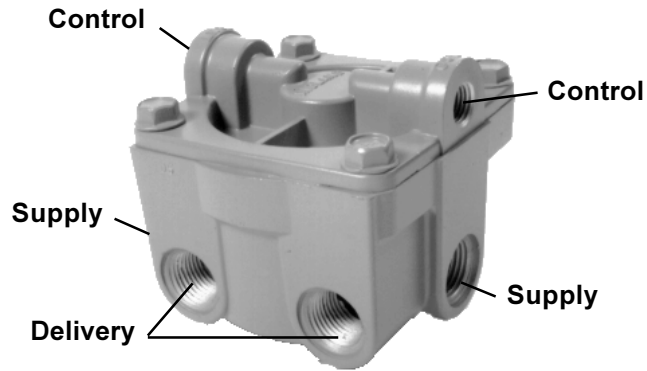


Part No.	Supply Ports	Delivery Ports	Control Ports	Crack Pressure	Wght.	Core Class	Core Grp.	Minor Maint. Kit	Comments
KN28010X	1 - 3/8" PT	2 - 1/4" PT	1 - 3/8" PT	1 - 1/4" PT	3 lbs.	VE	V4	VK1013M	
KN28011X	1 - 3/8" PT	3 - 3/8" PT	-	1 - 1/4" PT	3 lbs.	VE	V4	VK1013M	

Midland KN28065X

2 Port Delivery

Used to apply and release service brakes on tractor or trailer. Can be used to control application and release of spring brakes on tractor. Incorporates anti-compounding feature to prevent simultaneous service and spring brake application.

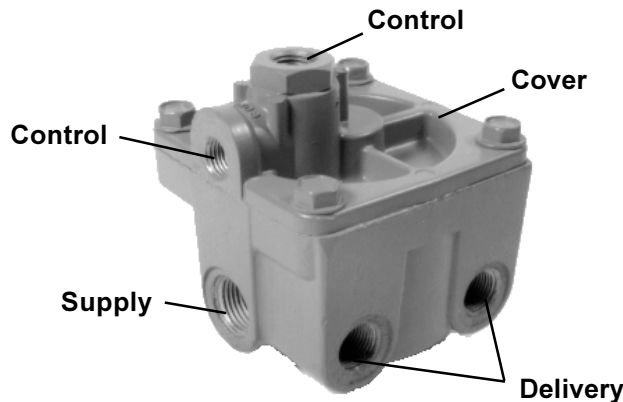


Part No.	Supply Ports	Delivery Ports	Control Ports	Crack Pressure	Wght.	Core Class	Core Grp.	Minor Maint. Kit	Comments
KN28065X	2 - 1/2" PT	2 - 1/2" PT	2 - 1/4" PT	4.0 ±1 PSI	3 lbs.	VF	V5	VK1016M	

Midland KN28071X, KN28140X

2 Port Delivery

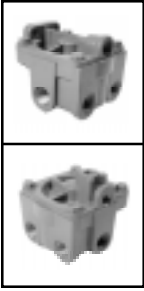
Used to apply and release service brakes on tractor or trailer. Can be used to control application and release of spring brakes on tractor. Incorporates anti-compounding feature to prevent simultaneous service and spring brake application.



KN28140X Shown

Part No.	Supply Ports	Delivery Ports	Control Ports		Crack Pressure	Wght.	Core Class	Core Grp.	Minor Maint. Kit	Comments
KN28071X	1 - 1/2" PT	2 - 1/2" PT	1 - 1/4" PT	1 - 1/8" PT	4.0 ±1 PSI	3 lbs.	VH	V7	VK1016M	Cover, as shown
KN28140X	1 - 1/2" PT	2 - 1/2" PT	1 - 1/4" PT	-	4.0 ±1 PSI	3 lbs.	VH	V7	VK1016M	Cover, rotated 90°

Relay Valves

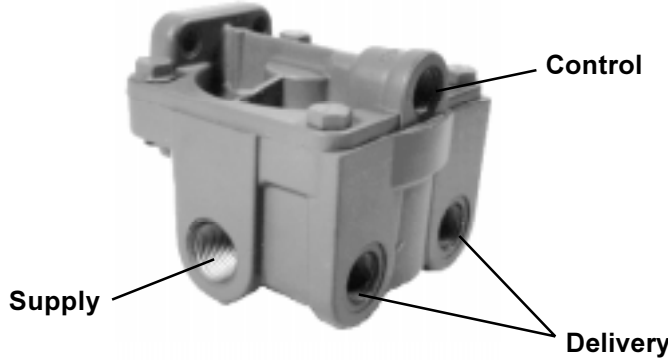


Midland KN28060X, KN28061X, KN28132X

2 Port Delivery

Used to apply and release service brakes on tractor or trailer.

KN28060X Shown

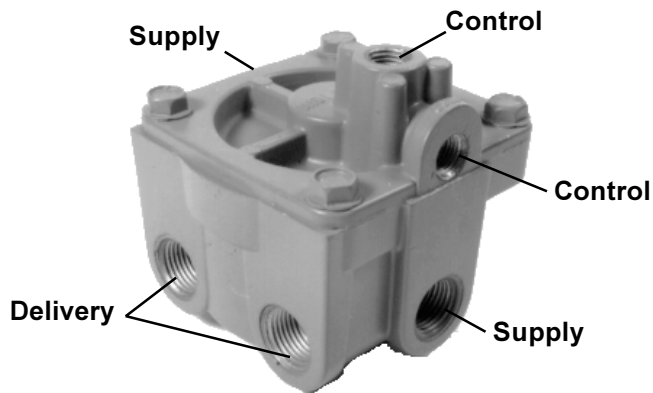


Part No.	Supply Ports	Delivery Ports	Control Ports	Crack Pressure	Wght.	Core Class	Core Grp.	Minor Maint. Kit	Comments
KN28060X	2 - 1/2" PT	2 - 3/8" PT	1 - 3/8" PT	4.6 ±1.5 PSI	3 lbs.	VF	V5	VK1016M	
KN28061X	2 - 1/2" DT	2 - 1/2" DT	1 - 3/8" DT	4.6 ±1.5	3 lbs.	VF	V5	VK1016M	

Midland KN28131X

2 Port Delivery

Used to apply and release service brakes on tractor or trailer. Can be used to control application and release of spring brakes on tractor. Incorporates anti-compounding feature to prevent simultaneous service and spring brake application.

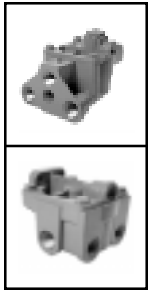
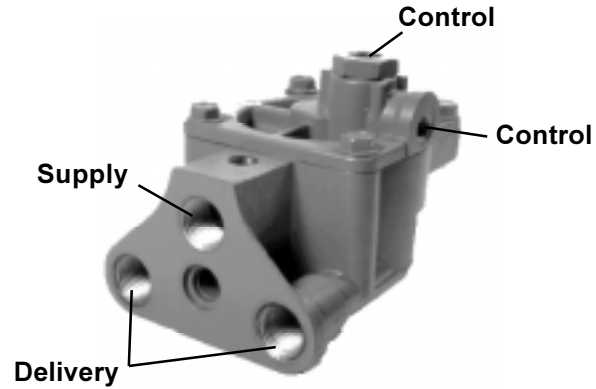


Part No.	Supply Ports	Delivery Ports	Control Ports	Crack Pressure	Wght.	Core Class	Core Grp.	Minor Maint. Kit	Comments
KN28131X	2 - 1/2" PT	2 - 1/2" PT	2 - 1/4" PT	4.0 ±1 PSI	3 lbs.	VH	V7	VK1016M	

Midland KN28130X

2 Port Delivery

Used to apply and release service brakes on tractor or trailer. Can be used to control application and release of spring brakes on tractor. Incorporates anti-compounding feature to prevent simultaneous service and spring brake application.

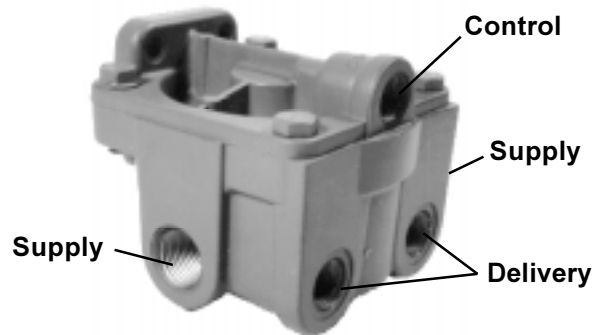


Part No.	Supply Ports		Delivery Ports	Control Ports	Crack Pressure	Wght.	Core Class	Core Grp.	Minor Maint. Kit	Comments
KN28130X	1 - 1/2" PT	1 - 3/8" PT	2 - 1/2" PT	2 - 1/4" PT	4.0 ±1 PSI	3 lbs.	VG	V6	VK1016M	

Midland KN28300X

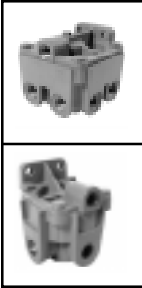
FAB (Fast Air & Balancing) Relay Valve 2 Port Delivery

Used on converter dollies and long wheel base towing trailers to speed the tractor control signal to the rear trailer(s) service brakes. Original manufacturer claims a 0 psi crack pressure and 0 psi differential.



Part No.	Supply Ports	Delivery Ports	Control Ports	Crack Pressure	Wght.	Core Class	Core Grp.	Minor Maint. Kit	Comments
KN28300X	2 - 1/2" PT	2 - 1/2" PT	1 - 3/8" PT	0 PSI	3 lbs.	VF	V5	VK1016M	

Relay Valves

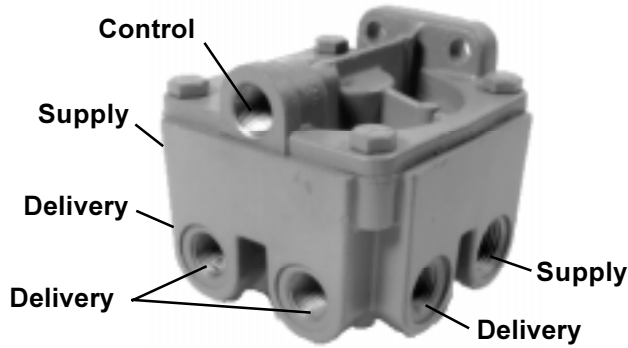


Midland KN28080X, KN28085X

4 Port Delivery

Used to apply and release service brakes on tractor or trailer.

KN28080X Shown



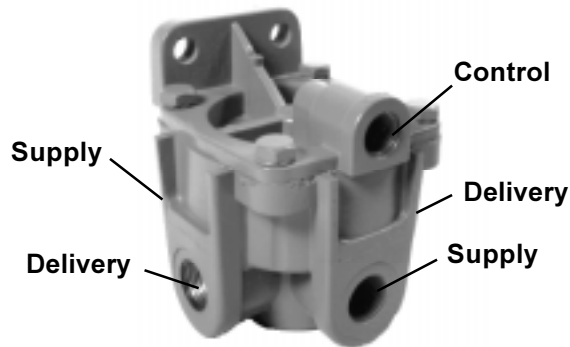
Part No.	Supply Ports	Delivery Ports	Control Ports	Crack Pressure	Wght.	Core Class	Core Grp.	Minor Maint. Kit	Comments
KN28080X	2 - 1/2" PT	4 - 3/8" PT	1 - 3/8" PT	7.0 ±1 PSI	3 lbs.	VF	V5	VK1016M	
KN28085X	2 - 1/2" PT	4 - 3/8" PT	1 - 3/8" PT	4.6 ±1.5	3 lbs.	VF	V5	VK1016M	

Midland/Wagner KN28500X, KN28510X, KN28520X

RG-2 Relay Valve 2 Port Delivery

Used to apply and release service brakes on tractor or trailer.

KN28500X Shown

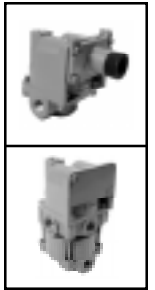
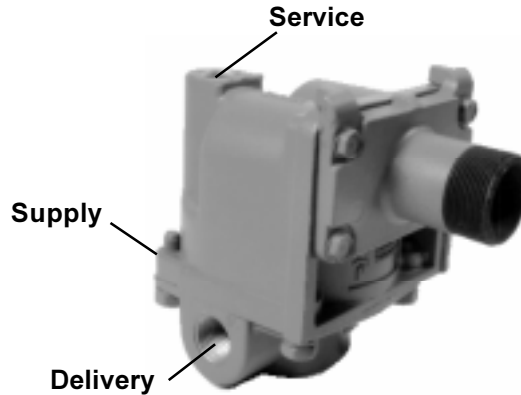


Part No.	Supply Ports	Delivery Ports	Control Ports	Crack Pressure	Wght.	Core Class	Core Grp.	Minor Maint. Kit	Comments
KN28500X	2 - 3/8" PT	-	2 - 3/8" PT	5.5 PSI	2 lbs.	VI	V8	VK1023	
KN28510X	1 - 3/8" PT	1 - 1/2" PT	2 - 3/8" PT	5.5 PSI	2 lbs.	VI	V8	VK1023	
KN28520X	2 - 1/2" PT	-	2 - 1/2" PT	5.5 PSI	2 lbs.	VI	V8	VK1023	

Midland/Wagner A80070X

RS Relay Valve 2 Port Delivery

Used apply and release service brakes on trailer.

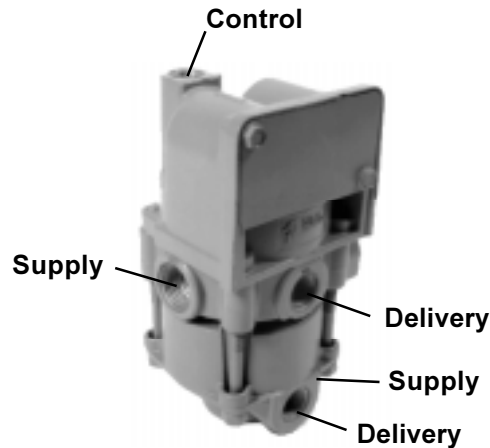


Part No.	Supply Ports	Delivery Ports	Service Ports	Crack Pressure	Wght.	Core Class	Core Grp.	Minor Maint. Kit	Comments
A80070X	1 - 1/2" PT	2 - 3/8" PT	1 - 1/4" PT	N/A	3 lbs.	VK	W1	VK1026	

Midland/Wagner A85490X, A85493X

RG-4 Tandem Valve 4 Port Delivery

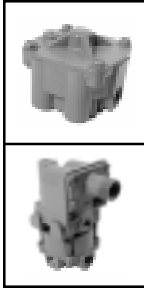
Used to apply and release service brakes on trailer. Is two relay valves in one housing with a single control port. Has dependent supplies (2) and treats the service brakes on two axles dependently.



**A85490X
Shown**

Part No.	Supply Ports	Delivery Ports	Control Ports	Crack Pressure	Wght.	Core Class	Core Grp.	Minor Maint. Kit	Comments
A85490X	2 - 1/2" PT	4 - 3/8" PT	1 - 1/4" PT	N/A	4 lbs.	VK	W1	VK1024	Tank Mtg.
A85493X	2 - 1/2" PT	4 - 3/8" PT	1 - 1/4" PT	N/A	4 lbs.	VK	W1	VK1024	Frame Mtg.

Relay Valves

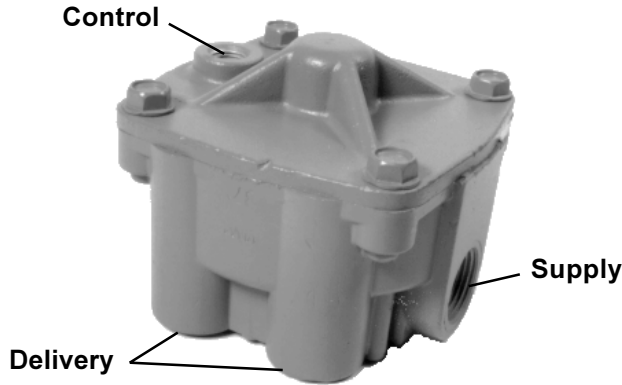


Midland/Wagner A86473X, A86477X, A103600X

RF Relay Valve 4 Port Delivery

Used to apply and release service brakes on tractor or trailer.

A86473X Shown

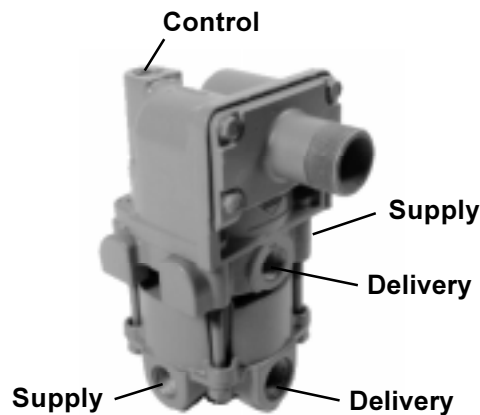


Part No.	Supply Ports	Delivery Ports	Control Ports	Crack Pressure	Wght.	Core Class	Core Grp.	Minor Maint. Kit	Comments
A86473X	1 - 1/2" PT	4 - 1/2" PT	1 - 1/4" PT	4.5 ±1 PSI	3 lbs.	VJ	V9	VK1022	
A86477X	1 - 3/4" PT	4 - 1/2" PT	1 - 1/4" PT	4.5 ±1 PSI	3 lbs.	VJ	V9	VK1022	
A103600X	2 - 3/4" PT	4 - 3/8" PT	1 - 1/4" PT	4.5 ±1 PSI	3 lbs.	VJ	V9	VK1022	

Midland/Wagner A97600X

RS-2 Tandem Valve 4 Port Delivery

Used to apply and release service brakes on trailer. Is two relay valves in one housing with a single control port. Has dependent supplies (2) and treats the service brakes on two axles dependently.

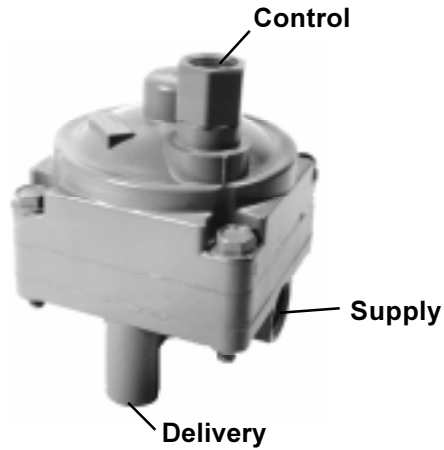


Part No.	Supply Ports	Delivery Ports	Control Ports	Crack Pressure	Wght.	Core Class	Core Grp.	Minor Maint. Kit	Comments
A97600X	2 - 1/2" PT	4 - 3/8" PT	1 - 1/4" PT	N/A	4 lbs.	VK	W1	VK1024	

Sealco 110375X

LOV-CF Control Line Valve 1 Port Delivery

Used on converter dollies to speed the tractor control signal to the rear trailer(s) service brakes. Original manufacturer claims a 1.5 psi crack pressure.

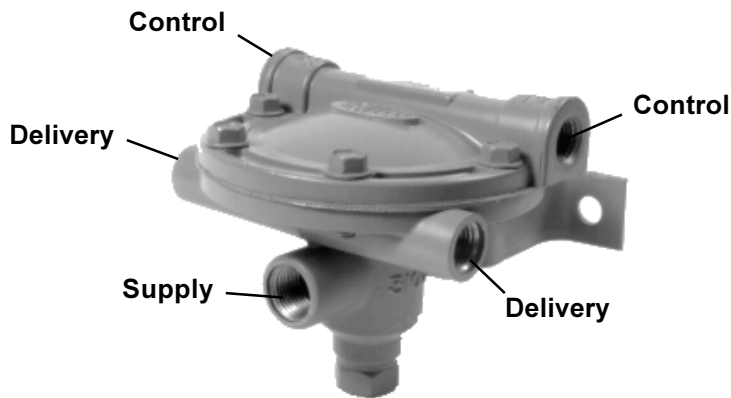


Part No.	Supply Ports	Delivery Ports	Control Ports	Crack Pressure	Wght.	Core Class	Core Grp.	Minor Maint. Kit	Comments
110375X	1 - 1/2" PT	1 - 3/8" PT	1 - 3/8" PT	1.5 PSI	3 lbs.	VP	W6	VK1011S	

Sealco 3100X

Mini-Relay Valve 2 Port Delivery

Used to apply and release service brakes on tractor or trailer.



Part No.	Supply Ports	Delivery Ports	Control Ports	Crack Pressure	Wght.	Core Class	Core Grp.	Minor Maint. Kit	Comments
3100X	1 - 3/8" PT	2 - 1/4" PT	2 - 1/4" PT	N/A	3 lbs.	VM	W3	VK1006S	

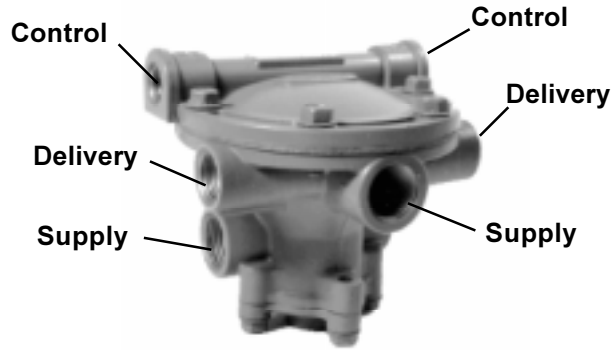
Relay Valves



Sealco 9125X

2 Port Delivery

Used to apply and release service brakes on tractor or trailer.



Part No.	Supply Ports	Delivery Ports	Control Ports	Crack Pressure	Wght.	Core Class	Core Grp.	Minor Maint. Kit	Comments
9125X	2 - 1/2" PT	2 - 3/8" PT	2 - 1/4" PT	N/A	4 lbs.	VN	W4	VK1007S	

Sealco 110197X

Trailer Relay Valve 2 Port Delivery

Used to apply and release service brakes on tractor or trailer.



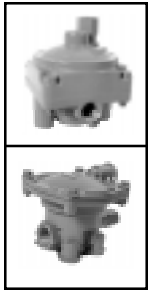
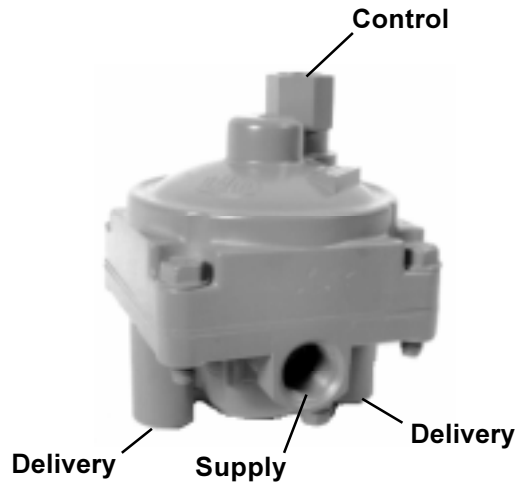
Part No.	Supply Ports	Delivery Ports	Control Ports	Crack Pressure	Wght.	Core Class	Core Grp.	Minor Maint. Kit	Comments
110197X	1 - 1/2" PT	2 - 3/8" PT	2 - 3/8" PT	4.0 PSI	4 lbs.	VN	W4	VK1007S	

Sealco
110410X, 110360X

LOV-2
(Low Opening Valve)
2 Port Delivery

Used to apply and release service brakes on trailer. Original manufacturer claims a 1.5 psi crack pressure.

110360X
Shown

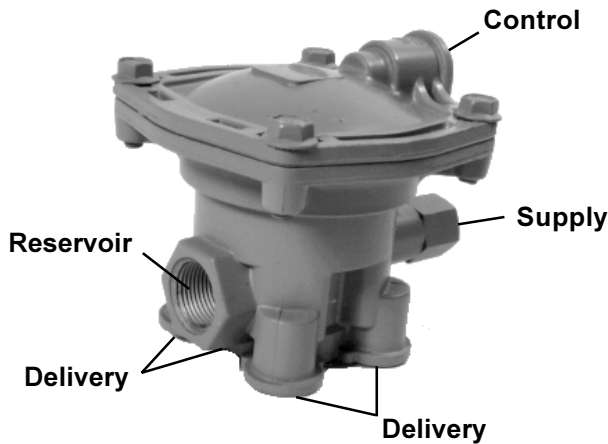


Part No.	Supply Ports	Delivery Ports	Control Ports	Crack Pressure	Wght.	Core Class	Core Grp.	Minor Maint. Kit	Comments
110410X	1 - 1/2" PT	2 - 3/8" PT	1 - 3/8" PT	4.0 PSI	3 lbs.	VP	W6	VK1011S	
110360X	1 - 1/2" PT	2 - 3/8" PT	1 - 3/8" PT	1.5 PSI	3 lbs.	VP	W6	VK1011S	

Sealco
110139X

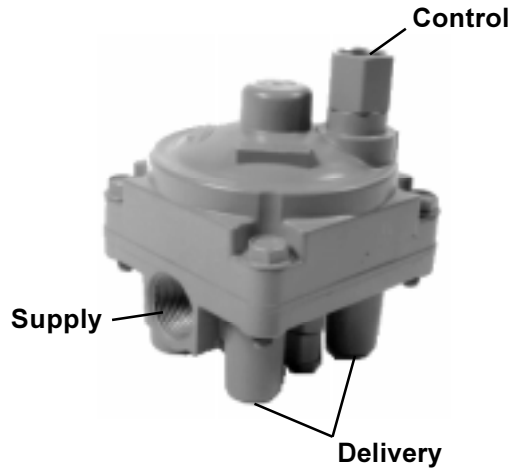
Ratio Relay Valve
4 Port Delivery

Used on trailers only to apply and release service brakes. Delivers slightly higher pressure to trailer service brakes than the control signal received from the tractor.



Part No.	Supply Ports	Reservoir Ports	Delivery Ports	Control Ports	Crack Pressure	Wght.	Core Class	Core Grp.	Minor Maint. Kit	Comments
110139X	1 - 3/8" PT	1 - 3/4" PT	4 - 3/8" PT	1 - 3/8" PT	N/A	3 lbs.	VO	W5	VK1008S	

Relay Valves



Sealco
110415X, 110380X

LOV-4
(Low Opening Valve)
4 Port Delivery

Used to apply and release service brakes on trailer. Original manufacturer claims a 1.5 psi crack pressure.

110415X
Shown

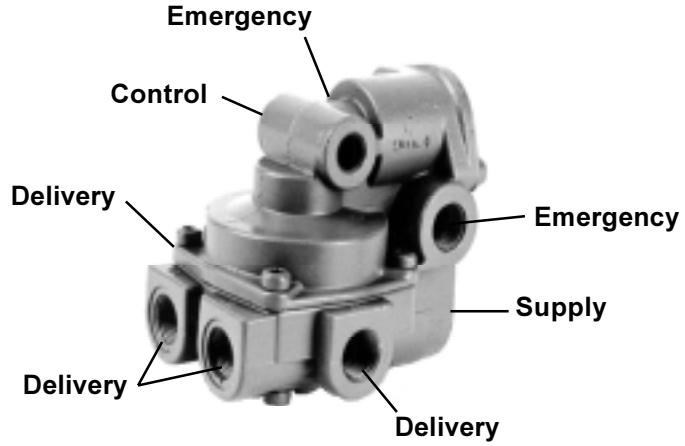
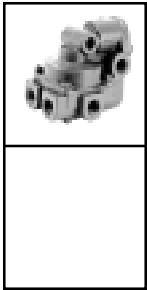
Part No.	Supply Ports	Delivery Ports	Control Ports	Crack Pressure	Wght.	Core Class	Core Grp.	Minor Maint. Kit	Comments
110415X	1 - 1/2" PT	4 - 3/8" PT	1 - 3/8" PT	4.0 PSI	3 lbs.	VQ	W7	VK1011S	
110380X	1 - 3/4" PT	4 - 3/8" PT	1 - 3/8" PT	1.5 PSI	3 lbs.	VQ	W7	VK1011S	

Relay Emergency Valves

Midland/Berg 12350X

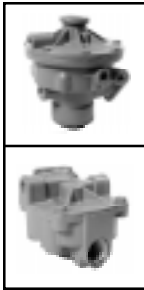
4 Port Delivery

Used on converter dollies and pre-1975 trailers. Relay function applies & releases service brakes during normal operation. Automatically applies all service brakes when trailer supply (emergency) line loses pressure (disconnected or break away).



Part No.	Supply Ports	Delivery Ports	Control Ports	Emerg. Ports	Crack Pressure	Wght.	Core Class	Core Grp.	Minor Maint. Kit	Comments
12350X	1 - 3/4" PT	4 - 3/8" PT	1 - 1/4" PT	2 - 3/8" PT	N/A	3 lbs.	VX	X5	N/A	

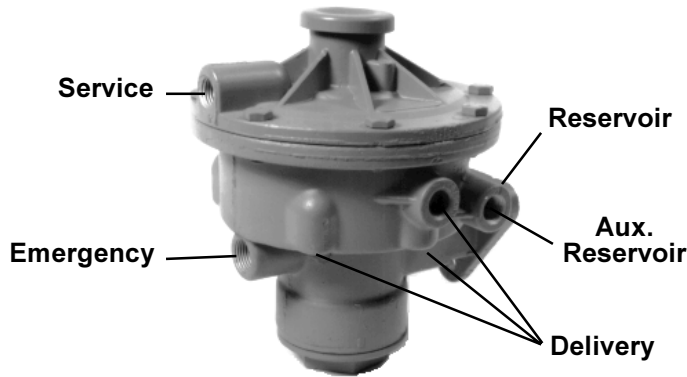
Relay Emergency Valves



Midland KN30010X

4 Port Delivery

Used on converter dollies and pre-1975 trailers. Relay function applies & releases service brakes during normal operation. Automatically applies all service brakes when trailer supply (emergency) line loses pressure (disconnected or break away).



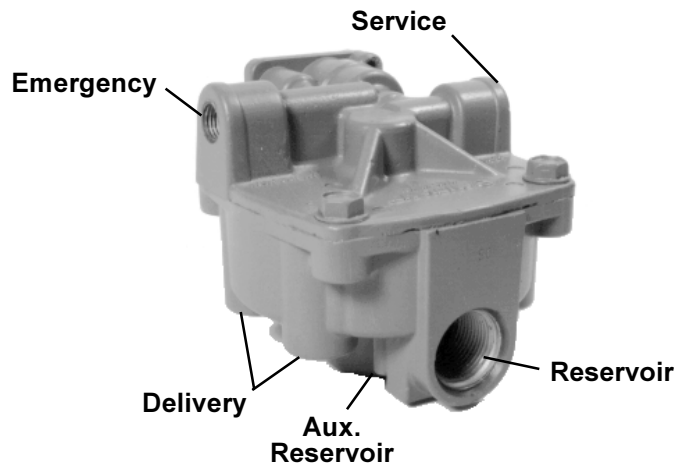
Part No.	Reservoir Ports	Aux. Reservoir	Delivery Ports	Service Ports	Emerg. Ports	Crack Pressure	Wght.	Core Class	Core Grp.	Minor Maint. Kit
KN30010X	1 - 3/4" PT	1 - 1/4" PT	4 - 1/4" PT	1 - 1/4" PT	1 - 1/4" PT	N/A	5 lbs.	VV	X4	VK1015M

Midland/Wagner KN30100X, KN30200X, KN30300X, KN30400X

4 Port Delivery

Used on converter dollies and pre-1975 trailers. Relay function applies & releases service brakes during normal operation. Automatically applies all service brakes when trailer supply (emergency) line loses pressure (disconnected or break away).

KN30100X Shown



Part No.	Reservoir Ports	Aux. Reservoir	Delivery Ports	Service Ports	Emerg. Ports	Crack Pressure	Wght.	Core Class	Core Grp.	Minor Maint. Kit
KN30100X	-	-	4 - 1/4" PT	1 - 1/4" PT	1 - 1/4" PT	4.5 ±1PSI	3 lbs.	VV	X3	VK1022W
KN30200X	1 - 3/4" Nipple	1 - 3/8" PT	4 - 3/8" PT	1 - 3/8" PT	1 - 3/8" PT	4.5 ±1PSI	3 lbs.	VV	X3	VK1022W
KN30300X	1 - 3/4" Nipple	-	4 - 1/4" PT	1 - 1/4" PT	1 - 1/4" PT	4.5 ±1PSI	3 lbs.	VV	X3	VK1022W
KN30400X	1 - 3/4" Female	-	4 - 3/8" PT	1 - 1/4" PT	1 - 1/4" PT	4.5 ±1PSI	3 lbs.	VV	X3	VK1022W

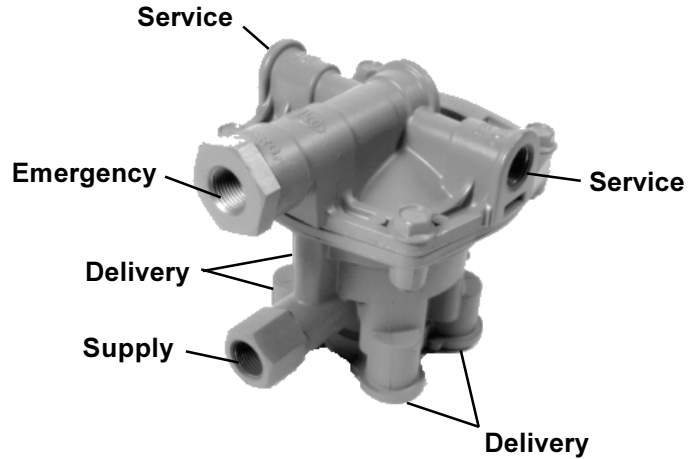
Relay Emergency Valves

Sealco 110267X, 110338X

4 Port Delivery

Used on converter dollies and pre-1975 trailers. Relay function applies & releases service brakes during normal operation. Automatically applies all service brakes when trailer supply (emergency) line loses pressure (disconnected or break away).

110267X Shown



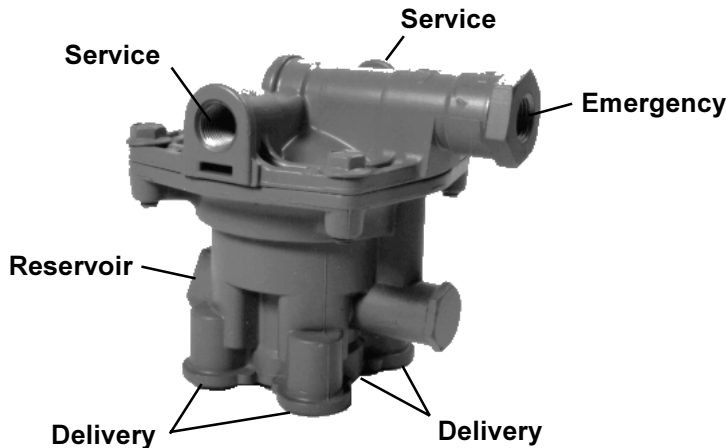
Part No.	Supply Ports	Reservoir Ports	Delivery Ports	Service Ports	Emerg. Ports	Crack Pressure	Wght.	Core Class	Core Grp.	Minor Maint. Kit
110267X	1 - 3/8" PT	1 - 3/4" PT	4 - 3/8" PT	2 - 3/8" PT	1 - 3/8" PT	5.5 PSI	6 lbs.	VO	W5	VK1010S
110338X	1 - 3/8" PT	1 - 3/4" PT	4 - 3/8" PT	2 - 3/8" PT	1 - 3/8" PT	4.5 PSI	6 lbs.	VO	W5	VK1010S

Sealco 110200X, 110205X

Ratio Relay Emergency 4 Port Delivery

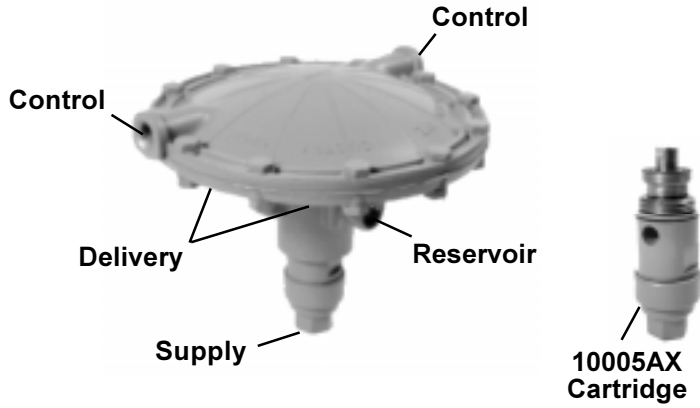
Used on pre-1975 trailers. Relay function applies & releases service brakes during normal operation. Automatically applies all service brakes when trailer supply (emergency) line loses pressure (disconnected or break away). Special feature: During normal braking, was designed to provide a higher application pressure to trailer brakes than the signal received from tractor.

110200X Shown



Part No.	Reservoir Ports	Delivery Ports	Service Ports	Emerg. Ports	Crack Pressure	Wght.	Core Class	Core Grp.	Minor Maint. Kit	Comments
110200X	1 - 3/4" PT	4 - 3/8" PT	2 - 1/4" PT	1 - 1/4" PT	4.5 PSI	7 lbs.	VO	W5	VK1010S	
110205X	1 - 3/4" PT	4 - 3/8" PT	2 - 3/8" PT	1 - 3/8" PT	4.5 PSI	7 lbs.	VO	W5	VK1010S	

Relay Emergency Valves



Sealco A1000X

4 Port Delivery

Used on converter dollies and pre-1975 trailers. Relay function applies & releases service brakes during normal operation. Automatically applies all service brakes when trailer supply (emergency) line loses pressure (disconnected or break away).

Sealco 10005AX Cartridge for A1000X

Part No.	Supply Ports	Reservoir Ports	Delivery Ports	Control Ports	Crack Pressure	Wght.	Core Class	Core Grp.	Minor Maint. Kit	Comments
A1000X	1 - 1/4" PT	1 - 1/2" PT	4 - 1/4" PT	2 - 1/4" PT	1.5 PSI	6 lbs.	WI	Y7	VK1012S	
10005AX	-	-	-	-	-	1 lbs.	WJ	Y8	VK1001S	

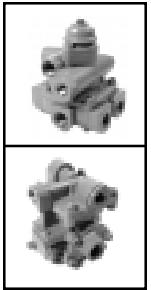
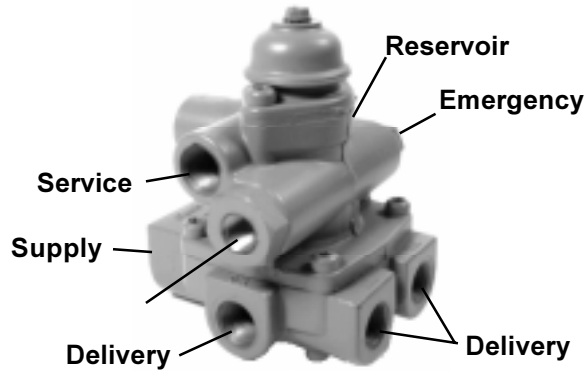
Trailer Spring Brake Valves

Midland/Berg 12360X, 12361X

TASK Valve 4 Port Delivery

Used on 121 trailers to control both parking and emergency brake functions. Also controls reservoir charging and air pressure retention upon loss of trailer supply (emergency) line pressure. Automatically applies emergency (parking) brakes when trailer supply (emergency) line pressure is lost (disconnected or break away).

**12360X
 Shown**



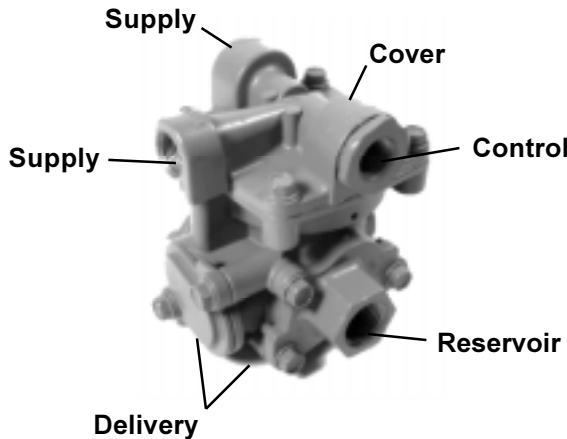
Part No.	Supply Ports	Reservoir Ports	Delivery Ports	Service Ports	Emerg. Ports	Wght.	Core Class	Core Grp.	Minor Maint. Kit	Comments
12360X	1 - 3/4" PT	2 - 3/8" PT	4 - 3/8" PT	1 - 1/4" PT	1 - 1/4" PT	3 lbs.	VZ	X7	VK1021B	With Anti-Compounding
12361X	1 - 3/4" PT	2 - 3/8" PT	4 - 3/8" PT	1 - 1/4" PT	1 - 1/4" PT	3 lbs.	VZ	X7	VK1021B	Without

Midland/Wagner KN26000X, KN26010X

RT-4 Valve 4 Port Delivery

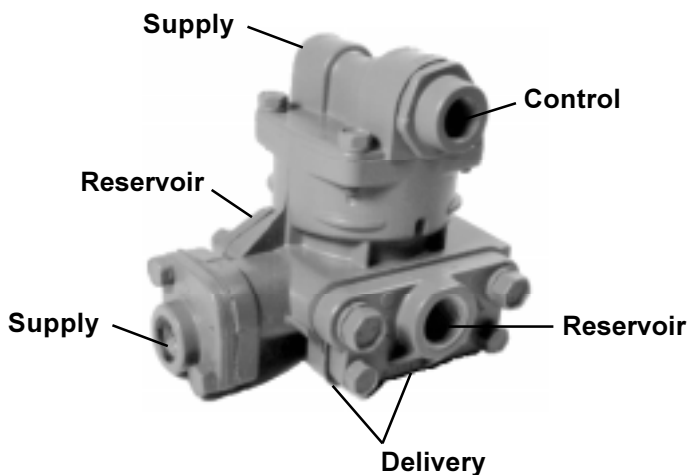
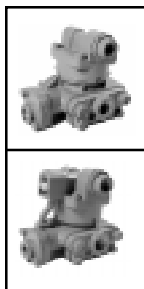
Used on 121 trailers to control both parking and emergency brake functions. Also controls reservoir charging and air pressure retention upon loss of trailer supply (emergency) line pressure. Automatically applies emergency (parking) brakes when trailer supply (emergency) line pressure is lost (disconnected or break away).

**KN26000X
 Shown**



Part No.	Supply Ports	Reservoir Ports	Delivery Ports	Control Ports	Wght.	Core Class	Core Grp.	Minor Maint. Kit	Comments	
KN26000X	2 - 3/8" PT	1 - 1/2" PT	1 - 3/8" PT	4 - 3/8" PT	1 - 3/8" PT	3 lbs.	VY	X6	VK1025	Cover as shown
KN26010X	2 - 3/8" PT	1 - 1/2" PT	1 - 3/8" PT	4 - 3/8" PT	1 - 3/8" PT	3 lbs.	VY	X6	VK1025	Cover rotated 180°

Trailer Spring Brake Valves



Midland/Wagner A88802X, A88812X

RT Valve 4 Port Delivery

Used on 121 trailers to control both parking and emergency brake functions. Also controls reservoir charging and air pressure retention upon loss of trailer supply (emergency) line pressure. Automatically applies emergency (parking) brakes when trailer supply (emergency) line pressure is lost (disconnected or break away).

A88802X Shown

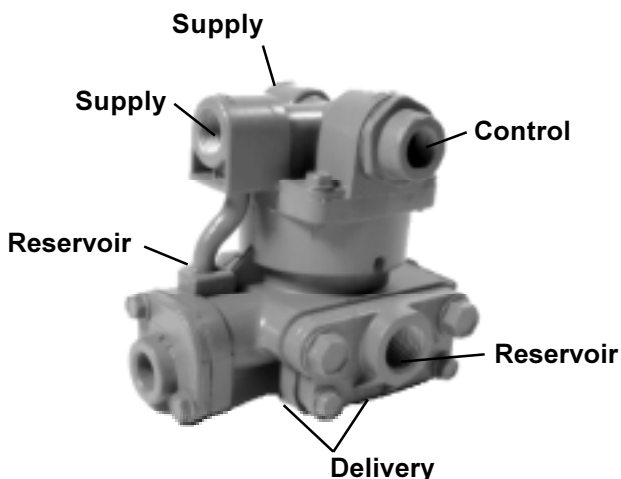
Part No.	Supply Ports	Reservoir Ports		Delivery Ports	Control Ports	Wght.	Core Class	Core Grp.	Minor Maint. Kit	Comments
A88802	2 - 3/8" PT	1 - 1/2" PT	1 - 3/8" PT	4 - 3/8" PT	1 - 3/8" PT	3 lbs.	WA	X8	VK1027	With Anti-Compounding
A88812	1 - 3/8" PT	1 - 1/2" PT	1 - 3/8" PT	4 - 3/8" PT	1 - 3/8" PT	3 lbs.	WA	X8	VK1027	Without

Midland/Wagner A98730X, A99370X

RT-2 Valve 4 Port Delivery

Used on 121 trailers to control both parking and emergency brake functions. Also controls reservoir charging and air pressure retention upon loss of trailer supply (emergency) line pressure. Automatically applies emergency (parking) brakes when trailer supply (emergency) line pressure is lost (disconnected or break away).

A98730X Shown



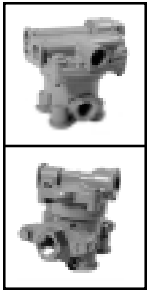
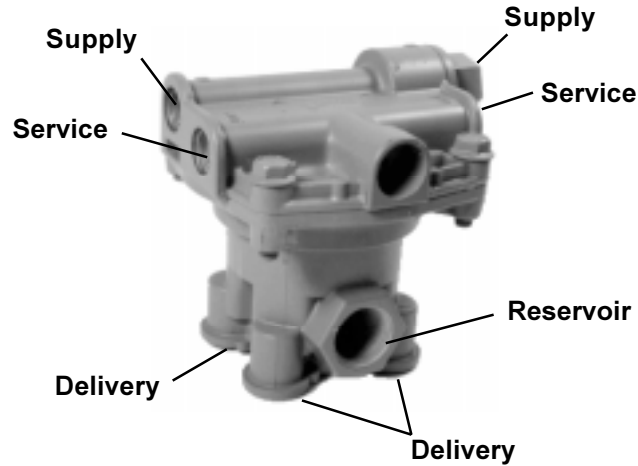
Part No.	Supply Ports	Reservoir Ports		Delivery Ports	Control Ports	Wght.	Core Class	Core Grp.	Minor Maint. Kit	Comments
A98730X	2 - 3/8" PT	1 - 1/2" PT	1 - 3/8" PT	4 - 3/8" PT	1 - 3/8" PT	3 lbs.	WA	X8	VK1027	With Anti-Compounding
A99370X	1 - 3/8" PT	1 - 1/2" PT	1 - 3/8" PT	4 - 3/8" PT	1 - 3/8" PT	3 lbs.	WA	X8	VK1027	Without Anti-Compounding

Trailer Spring Brake Valves

Sealco 110147X

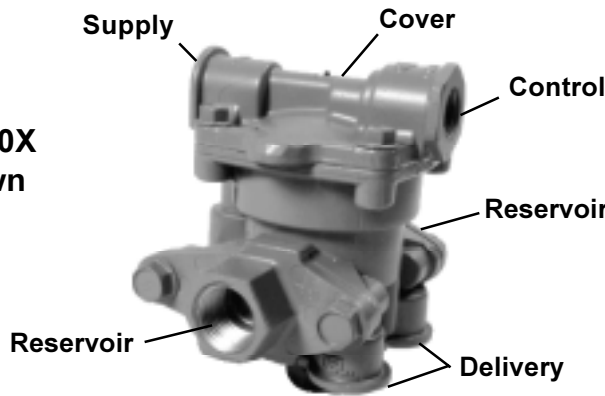
Ratio Relay Valve 4 Port Delivery

Used on 121 trailers to control both parking and emergency brake functions. Also controls reservoir charging and air pressure retention upon loss of trailer supply (emergency) line pressure. Automatically applies emergency (parking) brakes when trailer supply (emergency) line pressure is lost (disconnected or break away). Generally used in a three reservoir system on tandem axle trailers. Has anti-compound feature to prevent simultaneous service and parking applications.



Part No.	Supply Ports	Reservoir Ports	Delivery Ports	Service Ports	Crack Pressure	Wght.	Core Class	Core Grp.	Minor Maint. Kit	Comments
110147X	2 - 3/8" PT	1 - 3/4" PT	4 - 3/8" PT	2 - 3/8" PT	N/A	5 lbs.	VT	X1	VK1008S	

110170X Shown



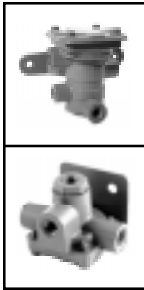
Sealco 110170X, 110171X, 110191X, 110310X, 110315X

Ratio Relay Valve 4 Port Delivery

Used on 121 trailers to control both parking and emergency brake functions. Also controls reservoir charging and air pressure retention upon loss of trailer supply (emergency) line pressure. Automatically applies emergency (parking) brakes when trailer supply (emergency) line pressure is lost (disconnected or break away). Generally used in a two reservoir system on tandem axle trailers. Has anti-compound feature to prevent simultaneous service and parking applications.

Part No.	Supply Ports	Reservoir Ports	Delivery Ports	Control Ports	Wght.	Core Class	Core Grp.	Minor Maint. Kit	Comments
110170X	1 - 3/8" PT	2 - 1/2" PT	-	4 - 3/8" PT	1 - 3/8" PT	4 lbs.	VU	X2	VK1009S Cover as shown
110171X	1 - 3/8" PT	1 - 1/2" PT	1 - 3/8" PT	4 - 3/8" PT	1 - 3/8" PT	4 lbs.	VU	X2	VK1009S Cover rotated 90°
110191X	1 - 3/8" PT	1 - 3/8" PT	1 - 1/2" PT	4 - 3/8" PT	1 - 3/8" PT	4 lbs.	VU	X2	VK1009S Cover rotated 90°
110310X	1 - 3/8" PT	1 - 3/8" PT	1 - 1/2" PT	4 - 3/8" PT	1 - 3/8" PT	4 lbs.	VU	X2	VK1009S Cover as shown
110315X	1 - 3/8" PT	1 - 1/2" PT	1 - 3/8" PT	4 - 3/8" PT	1 - 3/8" PT	4 lbs.	VU	X2	VK1009S Cover as shown

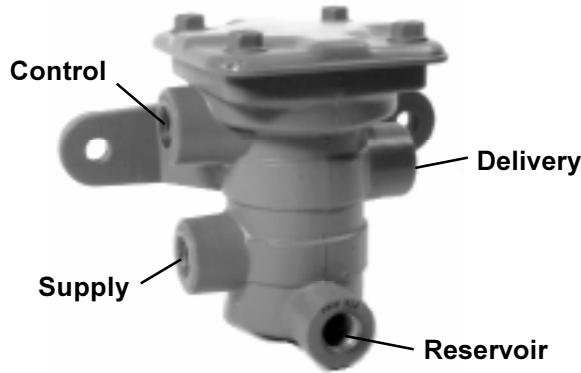
Tractor Spring Brake Valves



Midland KN28030X

Inversion Valve

Provides modulated control of spring brakes (emergency) in the event of loss of service pressure in the rear axle service system (primary).

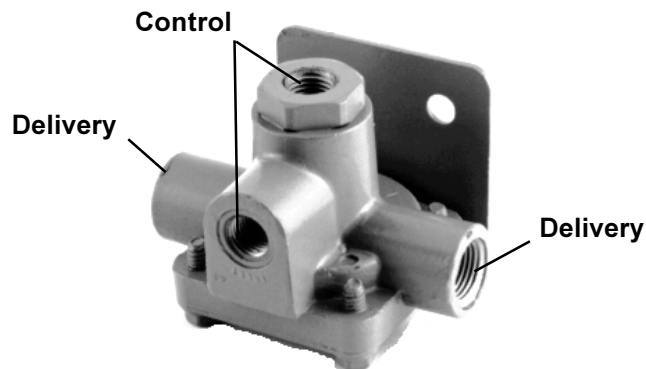


Part No.	Supply Ports	Reservoir Ports	Delivery Ports	Control Ports	Crack Pressure	Wght.	Core Class	Core Grp.	Minor Maint. Kit	Comments
KN28030X	1 - 1/4" PT	1 - 1/4" PT	1 - 1/4" PT	1 - 1/4" PT	N/A	2 lbs.	WE	Y3	N/A	

Midland KN32040X

Quick Release Valve With Two Way Check

Primarily used to deliver hold-off air pressure to the emergency (parking) side of spring brakes. Prevents compounding of service (air) and parking (spring) brake applications through the "two way" check valve.



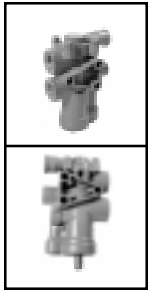
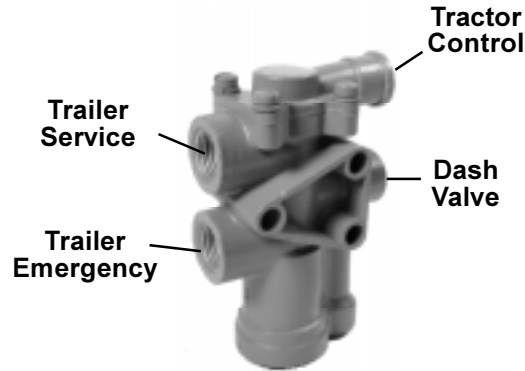
Part No.	Delivery Ports	Control Ports	Crack Pressure	Wght.	Core Class	Core Grp.	Minor Maint. Kit	Comments
KN32040X	2 - 1/4" PT	2 - 1/4" PT	N/A	1 lbs.	WD	Y2	VK1018M	

Tractor Protection Valves

Midland KN34030X

2 Line Automatic Style

In everyday use, valve shuts off the trailer service (control) and emergency (supply) lines before disconnecting the tractor from the trailer. In emergency, protects tractor air system by closing both lines to trailer during break away condition.

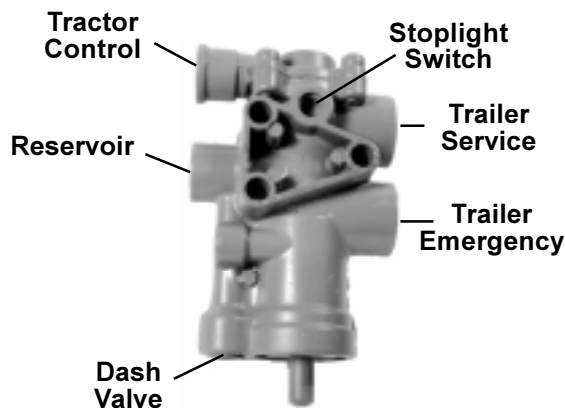


Part No.	Tractor Control	Trailer Service	Trailer Emerg.	Dash Valve	Wght.	Core Class	Core Grp.	Minor Maint. Kit	Comments
KN34030X	1 - 3/8" PT	1 - 1/2" PT	1 - 1/2" PT	1 - 3/8" PT	2 lbs.	WG	Y5	VK1002M	

Midland KN34050X, KN34070X

3 Line Automatic Style

In everyday use, valve shuts off the trailer service (control) and emergency (supply) lines before disconnecting the tractor from the trailer. In emergency, protects tractor air system by closing both lines to trailer during break away condition.



KN34050X Shown

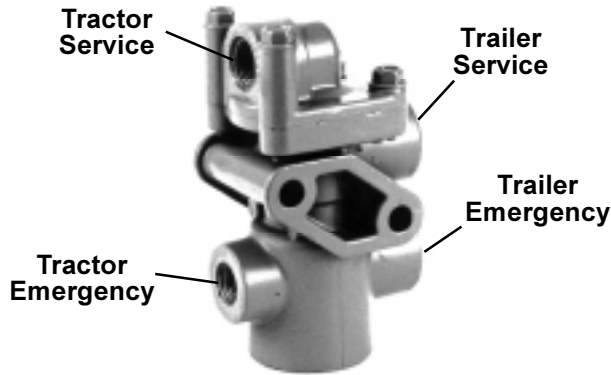
Part No.	Reservoir Ports	Tractor Control	Trailer Service	Trailer Emerg.	Dash Valve	Stoptight Switch	Wght.	Core Class	Core Grp.	Minor Maint. Kit
KN34050X	1 - 3/8" PT	1 - 3/8" PT	1 - 1/2" PT	1 - 1/2" PT	1 - 1/4" PT	-	2 lbs.	WG	Y5	VK1002M
KN34070X	1 - 3/8" PT	1 - 3/8" PT	1 - 1/2" PT	1 - 1/2" PT	1 - 1/4" PT	1 - 1/8" PT	2 lbs.	WG	Y5	VK1002M

Tractor Protection Valves

Midland KN34060X

2 Line Non-Automatic Style

In everyday use, valve shuts off the trailer service (control) and emergency (supply) lines before disconnecting the tractor from the trailer. In emergency, protects tractor air system by closing both lines to trailer during break away condition.



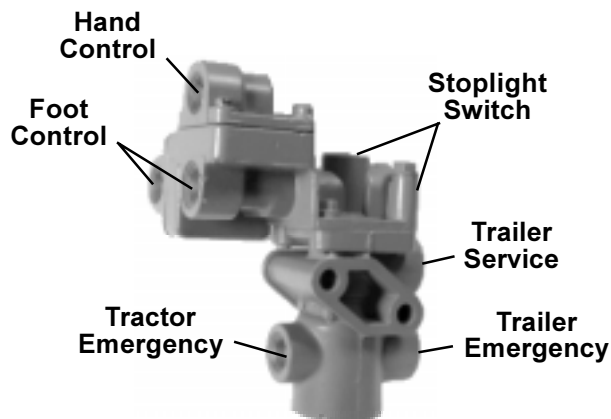
Part No.	Tractor Service	Trailer Service	Tractor Emerg.	Trailer Emerg.	Wght.	Core Class	Core Grp.	Minor Maint. Kit	Comments
KN34060X	1 - 3/8" PT	1 - 1/2" PT	1 - 1/4" PT	1 - 1/2" PT	2 lbs.	WF	Y4	N/A	

Midland KN34080X, KN34090X

2 Line Manifold Style

In everyday use, valve shuts off the trailer service (control) and emergency (supply) lines before disconnecting the tractor from the trailer. In emergency, protects tractor air system by closing both lines to trailer during break away condition.

KN34080X Shown



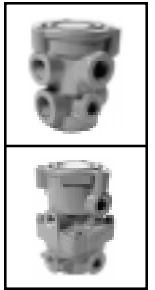
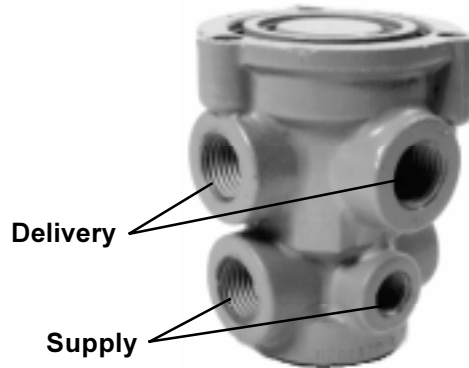
Part No.	Trailer Service	Tractor Emerg.	Trailer Emerg.	Stoplight Switch		Hand Control	Foot Control	Wght.	Core Class	Core Grp.	Minor Maint. Kit
KN34080X	1 - 3/8" PT	1 - 3/8" PT	1 - 3/8" PT	1 - 1/4" PT	1 - 3/8" PT	1 - 3/8" PT	2 - 3/8" PT	2 lbs.	WH	Y6	N/A
KN34090X	1 - 1/2" PT	1 - 3/8" PT	1 - 1/2" PT	1 - 1/4" PT	1 - 3/8" PT	1 - 3/8" PT	2 - 3/8" PT	3 lbs.	WH	Y6	N/A

Foot Operated Valves

Midland KN22100X

Single Circuit

Foot operated service brake control. Used primarily on pre-1975 vehicles to control service brakes. All supply and delivery ports are common.

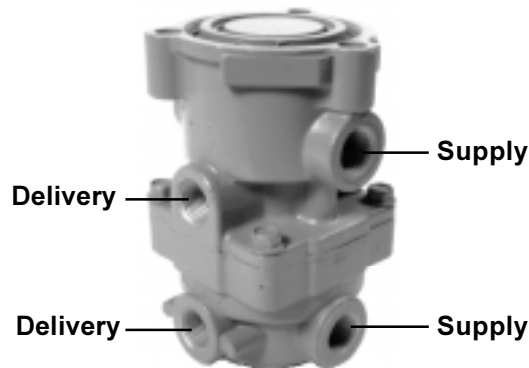


Part No.	Supply Ports		Delivery Ports	Wght.	Core Class	Core Grp.	Minor Maint. Kit	Comments
KN22100X	2 - 1/2" PT	2 - 1/4" PT	4 - 1/2" PT	2 lbs.	VA	V1	VK1014M	

Midland KN22140X, KN22150X

Dual Circuit

Two separated, individual service brake circuits in a single housing. Each circuit used to control different service brakes (front vs. rear). Supply and delivery ports common in each individual circuit. Used on 1975 to present vehicles.



KN22150X Shown

Part No.	Supply Ports	Delivery Ports	Wght.	Core Class	Core Grp.	Minor Maint. Kit	Comments
KN22140X	4 - 3/8" PT	4 - 3/8" PT	2 lbs.	VB	V2	VK1017M	
KN22150X	4 - 3/8" PT	4 - 3/8" PT	3 lbs.	VB	V2	VK1017M	Plastic Cover

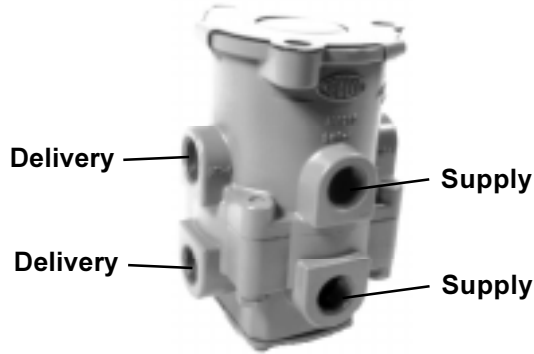
Foot Operated Valves



Sealco 110400X

Dual Circuit

Two separated, individual service brake circuits in a single housing. Each circuit used to control different service brakes (front vs. rear). Supply and delivery ports common in each individual circuit. Used on 1975 to present vehicles.

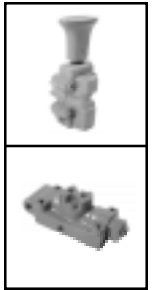


Part No.	Supply Ports	Delivery Ports	Wght.	Core Class	Core Grp.	Minor Maint. Kit	Comments
110400X	4 - 3/8" PT	4 - 3/8" PT	4 lbs.	VC	V3	N/A	

Transmission Valves

Fuller A3546X

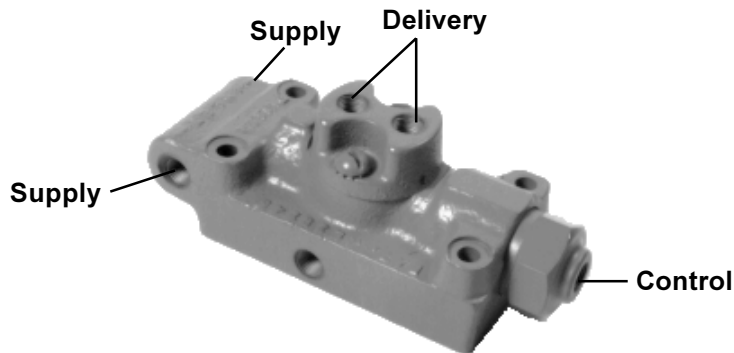
Transmission Shift Valve



Part No.	Inlet	Outlet	Wght.	Core Class	Core Grp.	Minor Maint. Kit	Comments
A3546X	1 - 1/8" PT	1 - 1/8" PT	1 lbs.	WM	Z2	VK1004F	

Fuller A3547X

Range Selector Valve



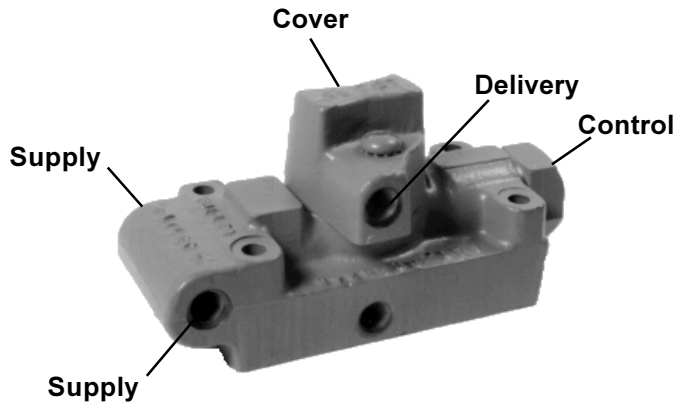
Part No.	Supply Ports	Delivery Ports	Control Ports	Wght.	Core Class	Core Grp.	Minor Maint. Kit	Comments
A3547X	2 - 1/8" PT	1 - 1/8" PT	1 - 1/8" PT	4 lbs.	WO	Z4	VK1005F	

Transmission Valves



Fuller
A3991X, A4668X

Range Selector Valve



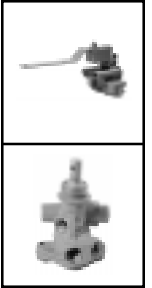
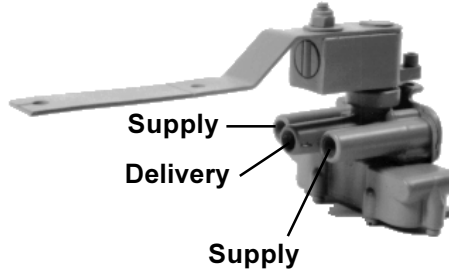
Part No.	Supply Ports	Delivery Ports	Control Ports	Wght.	Core Class	Core Grp.	Minor Maint. Kit	Comments
A3991X	2 - 1/8" PT	1 - 1/8" PT	1 - 1/8" PT	4 lbs.	WO	Z4	VK1005F	Cover as shown
A4668X	2 - 1/8" PT	1 - 1/8" PT	1 - 1/8" PT	4 lbs.	WO	Z4	VK1005F	Cover rotated 180°

Miscellaneous Valves

Neway 90054007X

Leveling Valve

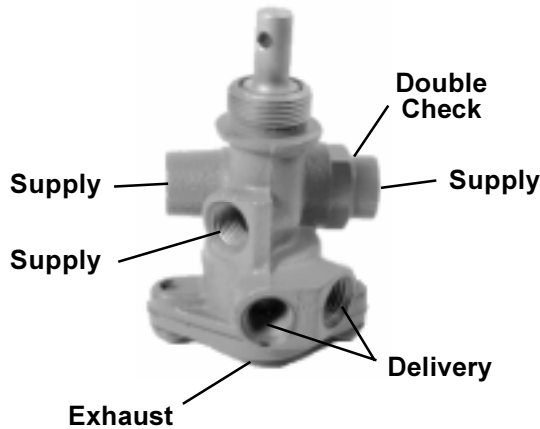
Used to maintain a set distance between axle and frame on vehicles equipped with air suspension. Valve increases or decreases air pressure to suspension based vehicle load.



Part No.	Supply Ports	Delivery Ports	Wght.	Core Class	Core Grp.	Minor Maint. Kit	Comments
90054007	2 - 1/8" PT	1 - 1/8" PT	2 lbs.	WL	Z1	VK1003N	

Sloan 401033X, 401037X

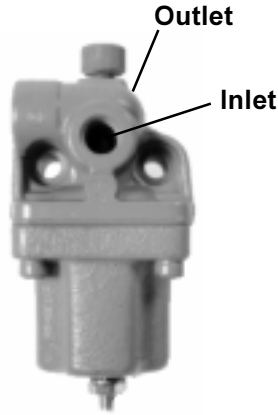
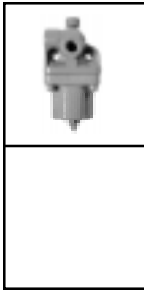
Push-Pull Dash Valve



**401033X
Shown**

Part No.	Supply Ports	Delivery Ports	Exhaust Ports	Wght.	Core Class	Core Grp.	Minor Maint. Kit	Comments
401033X	3 - 1/4" PT	2 - 1/4" PT	Threaded	2 lbs.	WK	Y9	N/A	With double check valve (as illustrated)
401037X	1 - 1/4" PT	2 - 1/4" PT	Non-Thread	2 lbs.	WK	Y9	N/A	Without double check valve (not illustrated)

Miscellaneous Valves



Cummins
6997312X, 6997324X

Fuel Solenoid Valve

6997312X
Shown

Part No.	Inlet	Outlet	Voltage	Wght.	Core Class	Core Grp.	Minor Maint. Kit	Comments
6997312X	1 - 1/4" PT	1 - 1/4"	12 volts	1 lbs.	WQ	Z6	N/A	Outlet is Non-Threaded
6997324X	1 - 1/4" PT	1 - 1/4"	24 volts	1 lbs.	WQ	Z6	N/A	Outlet is Non-Threaded

Maintenance Repair Kits

Minor Maintenance Repair Kit Cross Reference

The Minor Maintenance Repair Kits include the seals and valves required to repair typical leakage problems. In most cases, hard parts like springs and pistons are not included.

Below is a cross reference listing the Minor Maintenance Kit part number and the valve part number(s) it services. In the Part Number to Page Index located on pages 4 and 5 of this catalog, you will find a listing by valve part number and the Minor Maintenance Kit that services each valve.

Maint. Kit Part Number	Valve Part Number	Model	Description	Catalog Page No.
VK1000K	5457X	Kelsey	Relay Valve	7
	5461X	Kelsey	Relay Valve	7
	5462X	Kelsey	Relay Valve	7
	5470X	Kelsey	Relay Valve	7
VK1001S	10005AX	Sealco	Cartridge	22
VK1002M	KN34030X	Midland	Tractor Protection Valve	27
	KN34050X	Midland	Tractor Protection Valve	27
	KN34070X	Midland	Tractor Protection Valve	27
VK1003N	90054007X	Neway	Leveling Valve	33
VK1004F	A3546X	Fuller	Shift Valve	31
VK1005F	A3547X	Fuller	Range Selector Valve	31
	A3991X	Fuller	Range Selector Valve	32
	A4668X	Fuller	Range Selector Valve	32
VK1006S	3100X	Sealco	Mini-Relay Valve	15
VK1007S	110197X	Sealco	Trailer Relay Valve	16
	9125X	Sealco	Relay Valve	16
VK1008S	110139X	Sealco	Relay Valve	17
	110147X	Sealco	Ratio Relay Emergency Valve	25
VK1009S	110170X	Sealco	Ratio Relay Emergency Valve	25
	110171X	Sealco	Ratio Relay Emergency Valve	25
	110191X	Sealco	Ratio Relay Emergency Valve	25
VK1010S	110310X	Sealco	Ratio Relay Emergency Valve	25
	110315X	Sealco	Ratio Relay Emergency Valve	25
	110200X	Sealco	Ratio Relay Emergency Valve	21
	110205X	Sealco	Ratio Relay Emergency Valve	21
	110267X	Sealco	Relay Emergency Valve	21
VK1011S	110338X	Sealco	Relay Emergency Valve	21
	110360X	Sealco	LOV (Low Opening Valve)	17
	110375X	Sealco	LOV-CF Control Line Valve	15
	110380X	Sealco	LOV (Low Opening Valve)	18
	110410X	Sealco	LOV (Low Opening Valve)	17
VK1012S	110415X	Sealco	LOV (Low Opening Valve)	18
	A1000X	Sealco	Relay Emergency Valve	22
VK1013M	KN28010X	Midland	Relay Valve	8
	KN28011X	Midland	Relay Valve	8

Maintenance Repair Kits



Maint. Kit Part Number	Valve Part Number	Model	Description	Catalog Page No.	
VK1014M	KN22100X	Midland	Single Circuit Foot Valve	29	
VK1015M	KN30010X	Midland	Relay Emergency Valve	20	
VK1016M	KN28060X	Midland	Relay Valve	10	
	KN28061X	Midland	Relay Valve	10	
	KN28065X	Midland	Relay Valve	9	
	KN28071X	Midland	Relay Valve	9	
	KN28080X	Midland	Relay Valve	12	
	KN28085X	Midland	Relay Valve	12	
	KN28130X	Midland	Relay Valve	11	
	KN28131X	Midland	Relay Valve	10	
	VK1017M	KN28132X	Midland	Relay Valve	10
		KN28140X	Midland	Relay Valve	9
KN28300X		Midland	FAB (Fast Air & Balancing) Valve	11	
KN22140X		Midland	Dual Circuit Foot Valve	9	
KN22150X		Midland	Dual Circuit Foot Valve	29	
VK1018M	KN32040X	Midland	Quick Release Valve	26	
VK1019B	12345X	Mid/Berg	Relay Valve	8	
	12346X	Mid/Berg	Relay Valve	8	
VK1020B	12343X	Mid/Berg	Relay Valve	7	
VK1021B	12360X	Mid/Berg	TASK Valve	23	
	12361X	Mid/Berg	TASK Valve	23	
VK1022W	A103600X	Mid/Wagner	RF Relay Valve	14	
	A86473X	Mid/Wagner	RF Relay Valve	14	
	A86477X	Mid/Wagner	RF Relay Valve	14	
	KN30100X	Mid/Wagner	Relay Emergency Valve	20	
VK1023W	KN30200X	Mid/Wagner	Relay Emergency Valve	20	
	KN30300X	Mid/Wagner	Relay Emergency Valve	20	
	KN30400X	Mid/Wagner	Relay Emergency Valve	20	
	KN28500X	Mid/Wagner	RG-2 Relay Valve	12	
	KN28510X	Mid/Wagner	RG-2 Relay Valve	12	
	KN28520X	Mid/Wagner	RG-2 Relay Valve	12	
VK1024W	A97600X	Mid/Wagner	RS-2 Tandem Relay Valve	14	
	A85490X	Mid/Wagner	RG-4 Tandem Relay Valve	13	
	A85493X	Mid/Wagner	RG-4 Tandem Relay Valve	13	
VK1025W	KN26000X	Mid/Wagner	RT-4 Spring Brake Valve	23	
	KN26010X	Mid/Wagner	RT-4 Spring Brake Valve	23	
VK1026W	A80070X	Mid/Wagner	RS Relay Valve	13	
VK1027W	A88802X	Mid/Wagner	RT Valve	24	
	A88812X	Mid/Wagner	RT Valve	24	
	A98730X	Mid/Wagner	RT-2 Valve	24	
	A99370X	Mid/Wagner	RT-2 Valve	24	

WARRANTY AIR BRAKE PRODUCTS

The AlliedSignal Truck Brake Systems Company warrants to the original retail purchaser of air brake products* that all products sold by AlliedSignal Truck Brake Systems Company will be free of defective materials and workmanship, including Bendix Truck Product, for 12 months; 100,000 miles (160,000 kilometers) or 3,600 hours, EXCEPT for the following devices:

DEVICE	WARRANTY PERIOD		
	Mos.	Miles (kilometers)	Hours
FD-3 TorqueMaster Fan Clutch	36	300,000 (480,000)	10,800
Tu-Flo 501 & Tu-Flo 550 Compressors Tu-Flo 700 & Tu-Flo 750 Compressors EL1300 & EL1600 Midland Style Compressors	24	200,000 (320,000)	7200

The above does not include defects caused by improper installation, maintenance or service.

Products claimed to be defective should be returned freight prepaid to AlliedSignal Truck Brake Systems Company within 30 days after the date any defect is first discovered. AlliedSignal Truck Brake Systems Company will inspect the product and make the final determination as to whether the product is covered under the terms of this warranty.

When a warranty claim is allowed, AlliedSignal Truck Brake Systems Company's responsibility is limited, at AlliedSignal Truck Brake Systems Company's option, to repair or replace the defective product. For the first 12 months, 100,00 miles (160,000 kilometers), or 3,600 hours, whichever occurs first, AlliedSignal Truck Brake Systems Company will also allow its current labor allowance for removal and replacement when the defective product has been installed.

THIS WARRANTY IS IN LIEU OF AND EXCLUDES ALL OTHER WARRANTIES, EXPRESSED OR IMPLIED, ARISING BY OPERATION OF LAW OR OTHERWISE, INCLUDING ANY IMPLIED WARRANTY OR MERCHANTABILITY OR FITNESS FOR A PARTICULAR PURPOSE, AND IN NO EVENT WILL ALLIED TRUCK BRAKE SYSTEMS COMPANY BE LIABLE FOR INCIDENTAL OR CONSEQUENTIAL DAMAGES INCLUDING BUT NOT LIMITED TO COSTS INCURRED FOR SERVICE CALLS, TOWING, OR DOWNTIME.

*Friction materials, Foundation Brakes, ASA-5 Automatic Slack Adjusters, and Hydraulic Brake products are covered under a separate warranty.

Sample Core Return Memo



MODEL	CLASS / DEVICE	WEIGHT IN LBS.	LIST NO. UNITS BY CORE CONDITION	
			GOOD CORE	ONE PART DAMAGED
GROUP: A7 MIDLAND GOVERNOR - Diaphragm Type				
KN 18511X	AG-10190	1.0		
TOTAL QUANTITY				
GROUP: A8 MIDLAND GOVERNOR - Piston Type				
KN 18530X	AH-10191	1.0		
TOTAL QUANTITY				
GROUP: V1 MIDLAND SINGLE CIRCUIT FOOT VALVE				
KN 22100X	VA-10300	2.0		
TOTAL QUANTITY				
GROUP: V2 MIDLAND DUAL CIRCUIT FOOT VALVE				
KN 22140X	VB-10302	2.0		
KN 22150X	VB-10304	3.0		
TOTAL QUANTITY				
GROUP: V3 SEALCO DUAL CIRCUIT FOOT VALVE				
110400X	VC-10306	4.0		
TOTAL QUANTITY				
GROUP: V4 MIDLAND RELAY VALVE -- Diaphragm Type				
KN 28010X	VE-10308	3.0		
KN 28011X	VE-10310	3.0		
TOTAL QUANTITY				
GROUP: V5 MIDLAND RELAY VALVES -- Piston Type				
KN 28060X	VF-10312	3.0		
KN 28061X	VF-10314	3.0		
KN 28065X	VF-10316	3.0		
KN 28080X	VF-10318	3.0		
KN 28085X	VF-10318	3.0		
KN 28132X	VF-10314	3.0		
KN 28300X	VF-10314	3.0		
TOTAL QUANTITY				
GROUP: V6 MIDLAND RELAY VALVE				
KN 28130X	VG-10320	3.0		
TOTAL QUANTITY				
GROUP: V7 MIDLAND RELAY VALVE				
KN 28071X	VH-10322	3.0		
KN 28131X	VH-10324	3.0		
KN 28140X	VH-10324	3.0		
TOTAL QUANTITY				
GROUP: V8 MIDLAND/WAGNER RELAY VALVE RG-2				
KN 28500X	VI-10326	2.0		
KN 28510X	VI-10328	2.0		
KN 28520X	VI-10330	2.0		
TOTAL QUANTITY				
GROUP: V9 WAGNER RELAY VALVE RF				
A 86473X	VJ-10332	3.0		
A 86477X	VJ-10332	3.0		
A 103600X	VJ-10334	3.0		
TOTAL QUANTITY				
GROUP: W1 WAGNER RELAY VALVE RS, RG-4, RS-2				
A 80070X	VK-10336	3.0		
A 85490X	VK-10338	4.0		
A 85493X	VK-10338	4.0		
A 97600X	VK-10340	4.0		
TOTAL QUANTITY				
GROUP: W2 BERG RELAY VALVE				
12343X	VL-10342	2.0		
12345X	VL-10344	2.0		
12346X	VL-10346	2.0		
TOTAL QUANTITY				
GROUP: W3 SEALCO MINI-RELAY VALVE				
3100X	VM-10348	3.0		
TOTAL QUANTITY				

MODEL	CLASS / DEVICE	WEIGHT IN LBS.	LIST NO. UNITS BY CORE CONDITION	
			GOOD CORE	ONE PART DAMAGED
GROUP: W4 SEALCO RELAY VALVE				
9125X	VN-10350	4.0		
110197X	VN-10352	4.0		
TOTAL QUANTITY				
GROUP: W5 SEALCO RELAY VALVE				
110139X	VO-10354	5.0		
110200X	VO-10356	7.0		
110205X	VO-10356	7.0		
110267X	VO-10358	6.0		
110338X	VO-10358	6.0		
TOTAL QUANTITY				
GROUP: W6 SEALCO SERVICE BRAKE -- Lov Valve 2 Port				
110410X	VP-10360	3.0		
110360X	VP-10360	3.0		
110375X	VP-10362	3.0		
TOTAL QUANTITY				
GROUP: W7 SEALCO SERVICE BRAKE -- Lov Valve 4 Port				
110415X	VQ-10364	3.0		
110380X	VQ-10366	3.0		
TOTAL QUANTITY				
GROUP: W8 KELSEY HAYES RELAY VALVE -- 4 Port				
5457X	VR-10368	2.0		
5470X	VR-10370	2.0		
TOTAL QUANTITY				
GROUP: W9 KELSEY HAYES RELAY VALVE -- 2 Port				
5461X	VS-10372	2.0		
5462X	VS-10372	2.0		
TOTAL QUANTITY				
GROUP: X1 SEALCO RATIO SPRING BRAKE CONTROL VALVE				
110147X	VT-10374	5.0		
TOTAL QUANTITY				
GROUP: X2 SEALCO RATIO SPRING BRAKE CONTROL VALVE				
110170X	VU-10376	4.0		
110171X	VU-10376	4.0		
110191X	VU-10376	4.0		
110310X	VU-10376	4.0		
110315X	VU-10376	4.0		
TOTAL QUANTITY				
GROUP: X3 MIDLAND EE TYPE RELAY EMERGENCY VALVE				
KN 30100X	VV-10380	3.0		
KN 30200X	VV-10382	3.0		
KN 30300X	VV-10380	3.0		
KN 30400X	VV-10382	3.0		
TOTAL QUANTITY				
GROUP: X4 MIDLAND RELAY EMERGENCY VALVE				
KN 30010X	VW-10378	5.0		
TOTAL QUANTITY				
GROUP: X5 BERG RELAY EMERGENCY VALVE				
12350X	VX-10384	3.0		
TOTAL QUANTITY				
GROUP: X6 MIDLAND RT-4 TYPE SPRING BRAKE VALVE				
KN 26000X	VY-10386	5.0		
KN 26010X	VY-10386	5.0		
TOTAL QUANTITY				
GROUP: X7 BERG TASK VALVE				
12360X	VZ-10388	3.0		
12361X	VZ-10388	3.0		
TOTAL QUANTITY				

PLEASE PACK WARRANTY MATERIAL SEPARATE FROM CORES AND ATTACH LISTING TO CORE RETURN FORM

MODEL	CLASS / DEVICE	WEIGHT IN LBS.	LIST NO. UNITS BY CORE CONDITION	
			GOOD CORE	ONE PART DAMAGED
GROUP: X8 WAGNER "RT" SPRING BRAKE CONTROL				
A88802X	WA-10390	3.0		
A88812X	WA-10390	3.0		
TOTAL QUANTITY				
GROUP: X9 WAGNER "RT-2" SPRING BRAKE CONTROL				
A98730X	WB-10392	3.0		
A99370X	WB-10392	3.0		
TOTAL QUANTITY				
GROUP: Y2 MIDLAND QUICK RELEASE/DOUBLE CHECK				
KN 32040X	WD-10396	1.0		
TOTAL QUANTITY				
GROUP: Y3 MIDLAND INVERSION VALVE				
KN 28030X	WE-10398	2.0		
TOTAL QUANTITY				
GROUP: Y4 MIDLAND TRACTOR PROTECTION VALVE/2-LINE				
KN 34060X	WF-10400	2.0		
TOTAL QUANTITY				
GROUP: Y5 MIDLAND TRACTOR PROTECTION VALVE				
KN 34030X	WG-10402	2.0		
KN 34050X	WG-10404	2.0		
KN 34070X	WG-10406	2.0		
TOTAL QUANTITY				
GROUP: Y6 MIDLAND TRACTOR PROTECTION VALVE				
KN 34080X	WH-10408	2.0		
KN 34090X	WH-10410	3.0		
TOTAL QUANTITY				
GROUP: Y7 SEALCO TRAILER VALVE				
A10005X	WI-10412	6.0		
TOTAL QUANTITY				
GROUP: Y8 SEALCO CARTRIDGE FOR A10005X				
1005AX	WJ-10414	1.0		
TOTAL QUANTITY				
GROUP: Y9 SLOAN PUSH PULL -- Brass				
401033X	WK-10416	2.0		
401037X	WK-10416	2.0		
TOTAL QUANTITY				
GROUP: Z1 NEWAY LEVELING VALVE				
90054007X	WL-10418	2.0		
TOTAL QUANTITY				
GROUP: Z2 FULLER SHIFT VALVE				
A3546X	WM-10420	1.0		
TOTAL QUANTITY				
GROUP: Z3 FULLER RANGE SELECTOR				
A3547X	WN-10422	4.0		
TOTAL QUANTITY				
GROUP: Z4 FULLER RANGE SELECTOR				
A3991X	WO-10424	4.0		
TOTAL QUANTITY				
GROUP: Z5 FULLER RANGE SELECTOR				
A4668X	WP-10426	4.0		
TOTAL QUANTITY				
GROUP: Z6 CUMMINS FUEL SOLENOID VALVE				
6997312X	WQ-10428	1.0		
6997324X	WQ-10428	1.0		
TOTAL QUANTITY				

Inside Rear Cover

Outsider Cover Rear