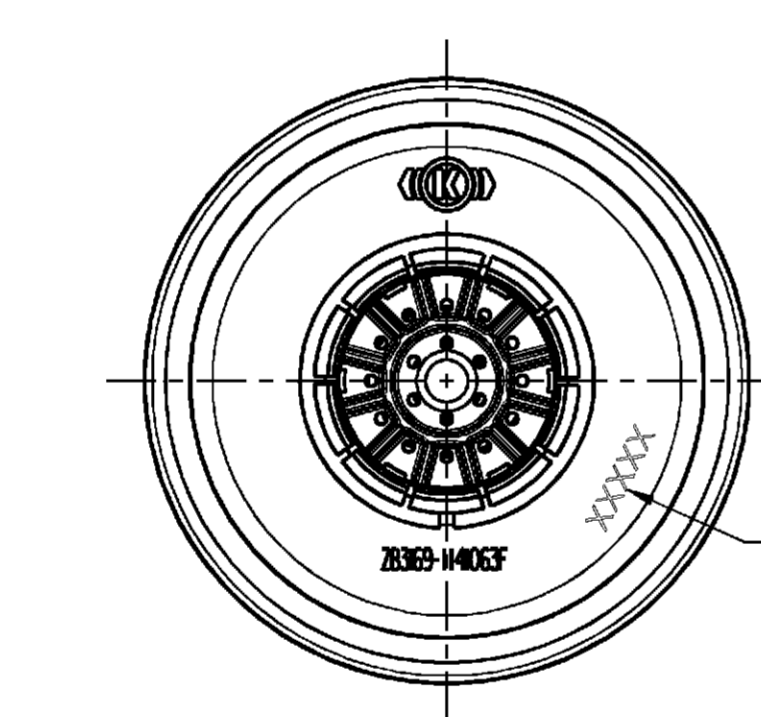
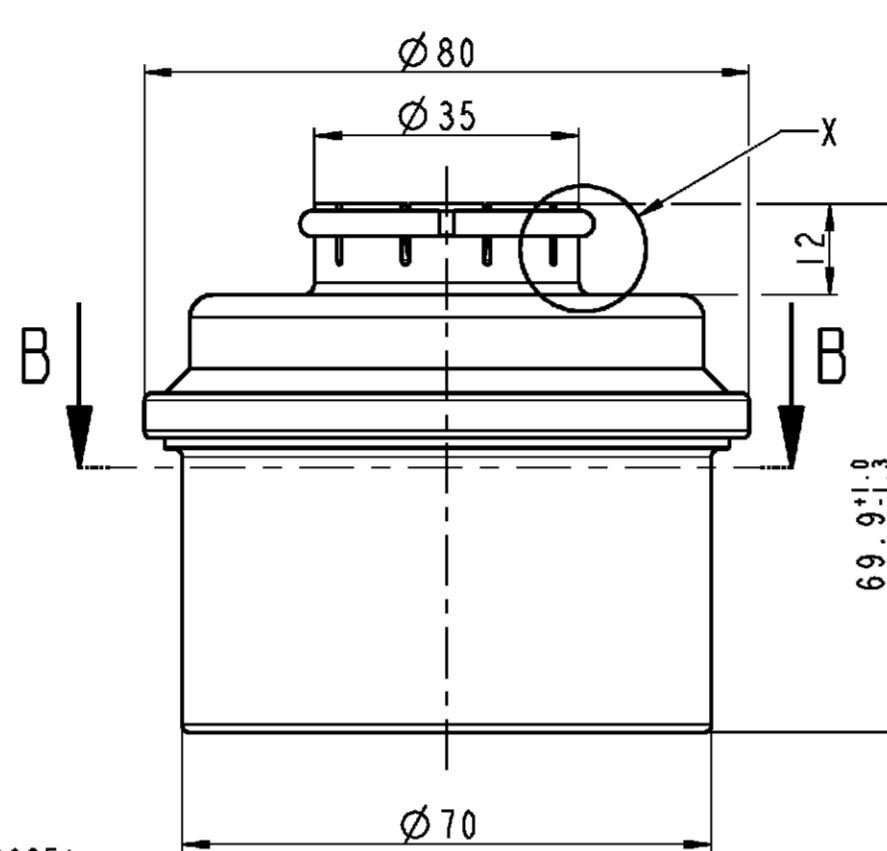
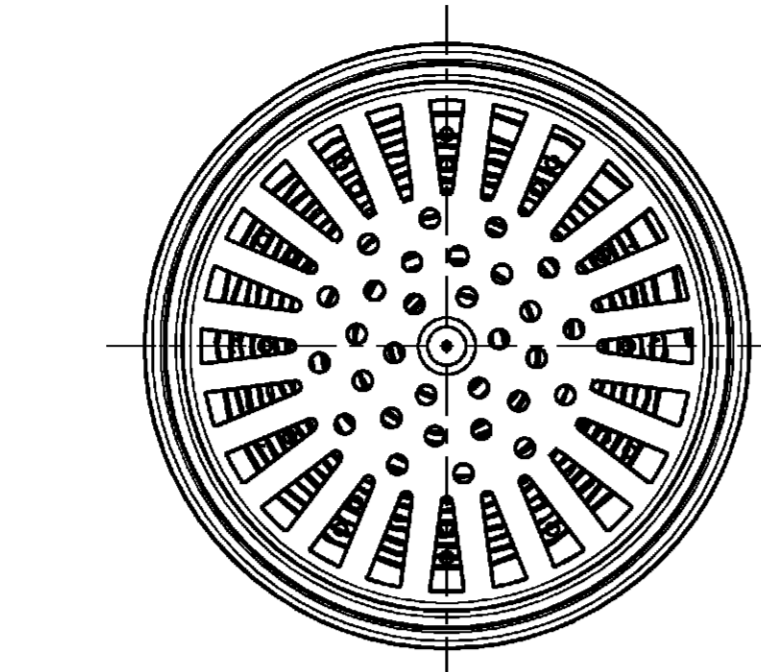
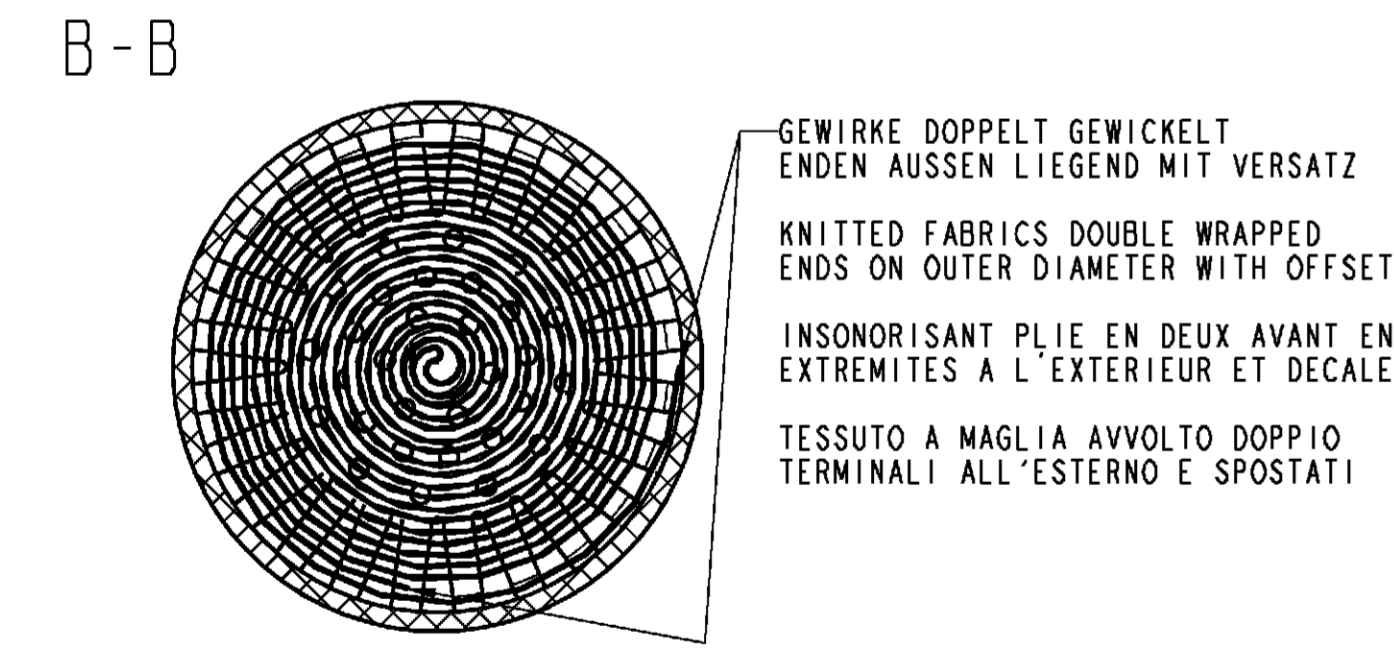
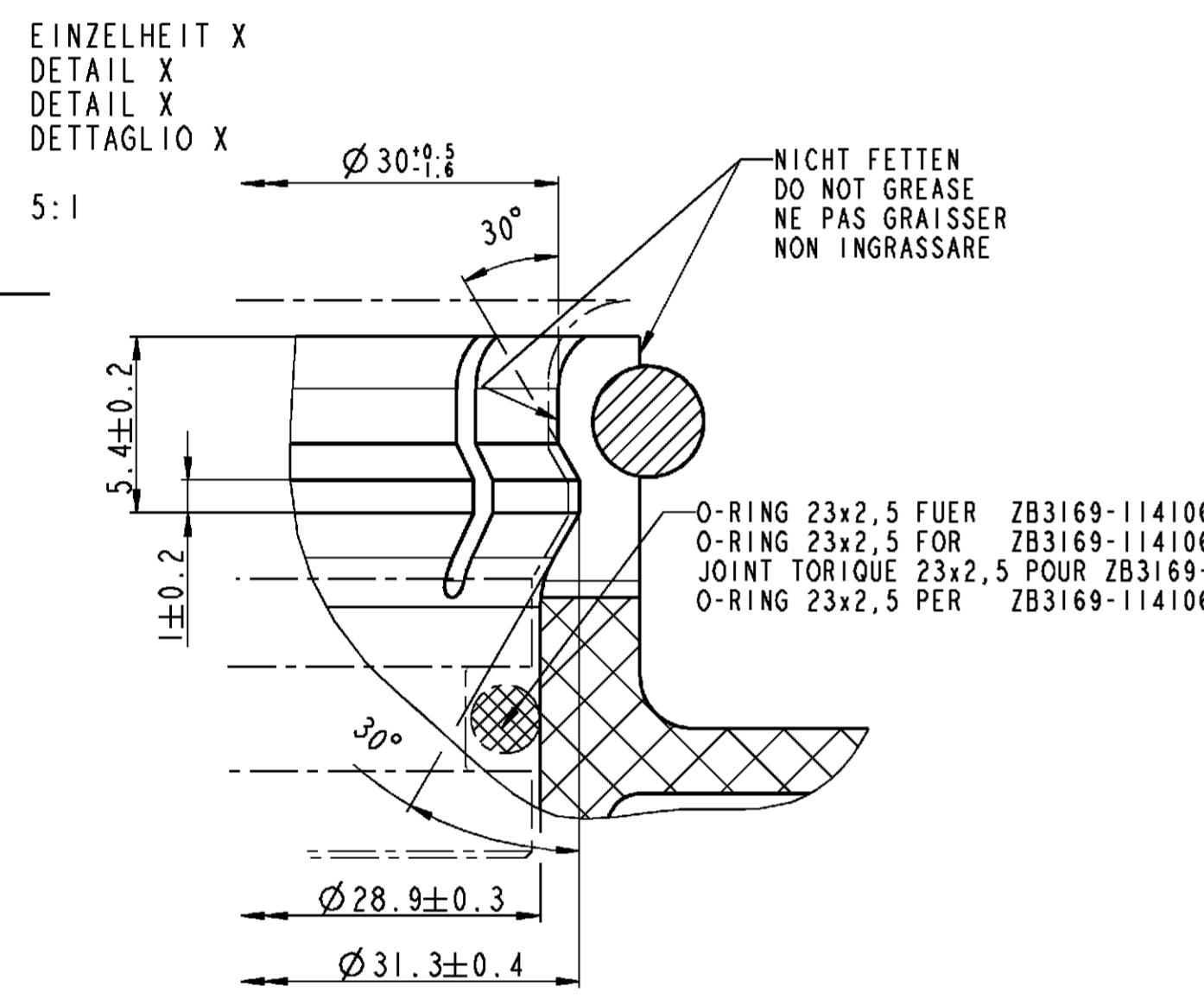
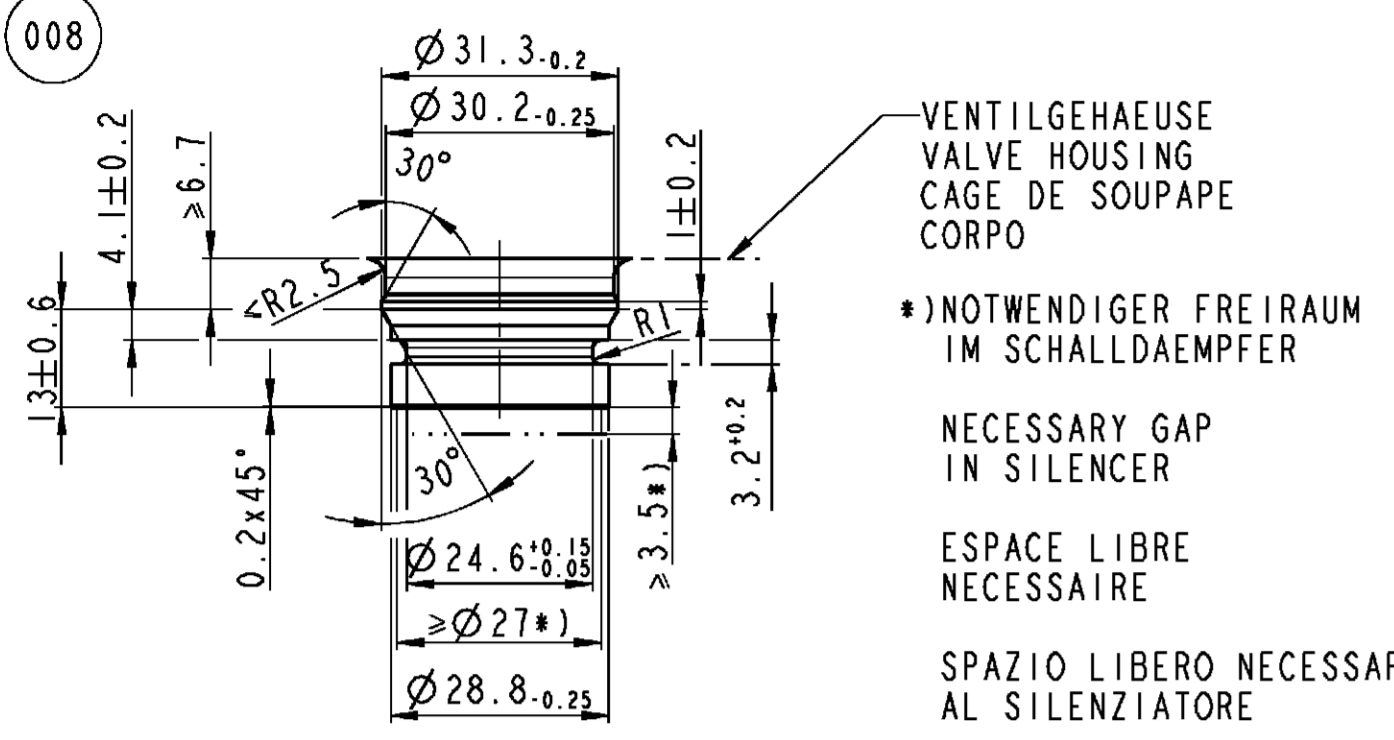


RELEASED

008 Gegenstück nur zur Information.
 Teil ist nicht Gegenstand der Bemusterung.
 Counter part view only for information.
 Will be no part of silencer PPAP.
 Vue sur pièce complémentaire seulement pour information.
 Ne fera pas partie du PPAP du silencieux.
 La controparte è mostrata solo per informazione.
 Non sarà parte del PPAP del silenziatore.



ZB3169-1141063F1	mit O-Ring (with O-Ring)
ZB3169-1141063F	ohne O-Ring (without O-Ring)
Sachnummer	Bemerkungen
Reference no.	Note

DAEMMATERIAL
 PE-GESTRICKTSCHLAUCH ZWEILAGIG
 ZUR ROLLE GEWICKELT
 FLACHFASER: 0,20 x 0,84 mm
 LAENGE UNBELASTET: 2200 ± 50 mm [2R] 008

INSULATION MATERIAL
 PE-NET INNER TUBE ON TWO LAYER
 WINDED TO A ROLL
 PLANE FANAT: 0,20 x 0,84 mm
 LONGITUDE UNSTRESSED: 2200 ± 50 mm [2R] 008

MATERIEL ISOLANT
 MAILLAGE PE DOUBLE EPAISSEUR
 ENROULE
 FIBRES PLATES: 0,20 x 0,84 mm
 LONGUEUR LIBRE: 2200 ± 50 mm [2R] 008

MATERIALE SMORZANTE
 PE-TRAMA TUBOLARE A DOPPIO STRATO
 ARROTOLATO
 FIBRA PIATTA: 0,20 x 0,84 mm
 LUNGHEZZA A RIPOSO: 2200 ± 50 mm [2R] 008

VERBINDUNGSKRAFT BEI 20°C: F=300N
 FORCE TO CONNECT AT 20°C:
 EFFORT DE LIASON A 20°C:
 SFORZO D'INSERIMENTO DA 20°C:

KRAFT FUER DIE DEMONTAGE: F=700N
 FORCE TO DISCONNECT:
 EFFORT DE DEMONTAGE:
 SFORZO DI DISINSERIMENTO:

DRUCK FUER DIE DEMONTAGE: stat 4 bar
 PRESSURE TO DISCONNECT:
 PRESSION DE DEMONTAGE:
 PRESSIONE DI DISINSERIMENTO:

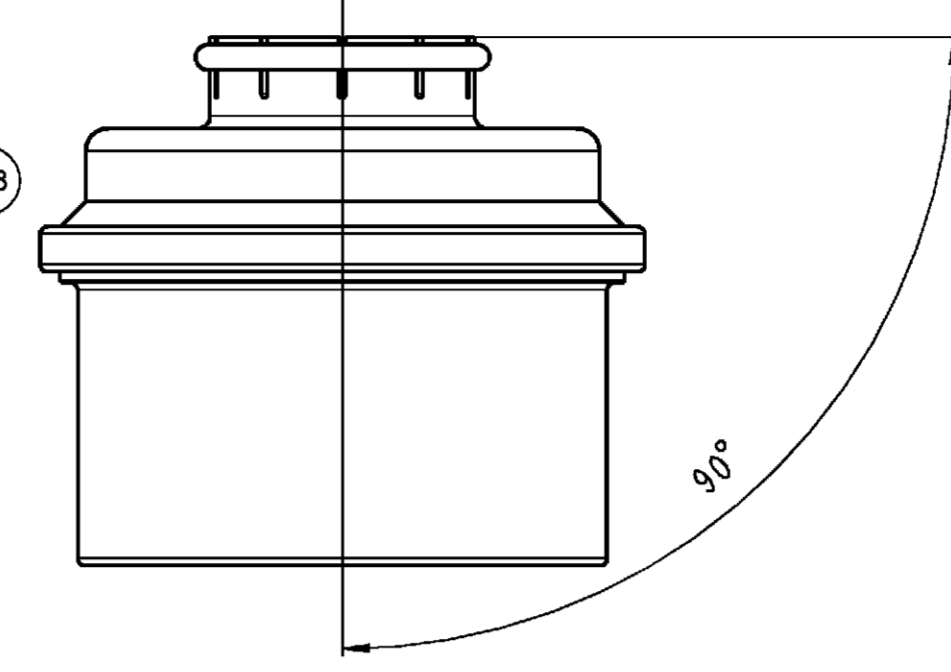
THERMISCHER ANWENDUNGSBEREICH: -40°C...+80°C
 PERMISSIBLE TEMPERATURE RANGE:
 CHAMP D'APPLICATION THERMIQUE:
 TEMPERATURE D'IMPIEGO:

SCHALLMESSUNG NACH KNORR TESTSPEZIFIKATION Y015186
 SONIC MEASUREMENT ACCORDING TO KNORR TESTSPECIFICATION Y015186
 MESURE PHONIQUE SUIVANT SPECIFICATION KNORR Y015186
 MISURE DI RUMORE SECONDO SPECIFICHE KNORR Y015186

SCHALLWERT ≤ 72 dB(A) [2R] ABHAENGIG VON DER EINBAUPOSITION IM FAHRZEUG
 SONIC VALUE ≤ 72 dB(A) [2R] DEPENDENT OF THE VEHICLE INSTALLATION
 NIVEAU SONORE ≤ 72 dB(A) [2R] DÉPENDANT DE LA POSITION SUR LE VÉHICULE
 RUMOROSITÀ ≤ 72 dB(A) [2R] DIPENDE DALL'INSTALLAZIONE SUL VEICOLO

BETRIEBSDRUCK: MAX 12,5 bar
 OPERATING PRESSURE:
 PRESSION DE SERVICE:
 PRESSIONE DI SERVIZIO:

EINBAULAGE
 INSTALLATION POSITION
 POSITION DE MONTAGE
 POSIZIONE DI MONTAGGIO



006	(R01995)	2010/10/07	Ochsenkuehn
007	(R01995)	2010/02/02	Ochsenkuehn
006	(R02664)	2009/09/17	Ochsenkuehn
001	Anpassung	2004/01/26	Bettl.
000	Erstellung	2003/06/30	Bettl.
Rev.	Revision Reference	Date	Name
Numbers of described parts:	ISO 128-30	Special Characteristics:	0 [S/C]
2B3169-1141063F	First Angle Proj.	Tolerancing Principle DIN 7167	0 [S/C]
See Table 1		General Tolerances --mm/--1"	Materiel:
CAD Model No.:	2B3169-1141063F	Corners	ISO 13715
Systeme für Nutzfahrzeuge GmbH		Responsible Dept./Team	MDT2
		Drawn	2002/06/13
		Härtung	
		Release Process Documentation in EDM, Level and Status Information in Watermark.	
		Drawing Number	Z006910
		Doc-Type: ID	Language: 56
		Draw-Rev:	008
			Sheet 1 of 1

Z006910; 56; 008; MDT2; Sarise; In Arbeit; Ochsenkuehn_Andreas; 2010/10/12-13:3

THIS DOCUMENT IS FOR INTERNAL USE AND THE SUPPLIER CONCERNED ONLY